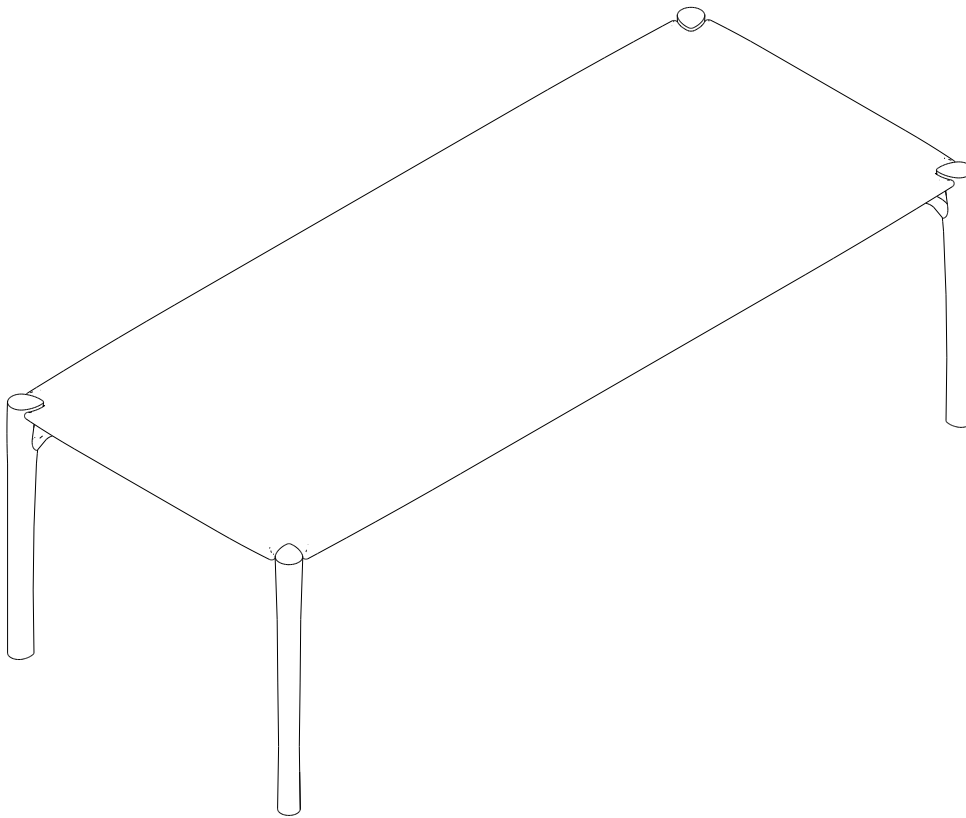


Ethnicraft

ASSEMBLY INSTRUCTIONS FOR TABLE INSTALLATION

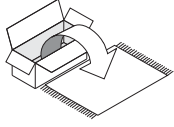
OAK POLISHED IMPERFECT DINING TABLE

CODE	DESCRIPTION
51325	OAK POLISHED IMPERFECT DINING TABLE 140/80/76
51326	OAK POLISHED IMPERFECT DINING TABLE 160/80/76
51327	OAK POLISHED IMPERFECT DINING TABLE 180/90/76
51328	OAK POLISHED IMPERFECT DINING TABLE 200/95/76
51329	OAK POLISHED IMPERFECT DINING TABLE 220/95/76
51330	OAK POLISHED IMPERFECT DINING TABLE 240/100/76



OAK POLISHED IMPERFECT DINING TABLE ASSEMBLY INSTRUCTIONS FOR DINING TABLE INSTALLATION

NOTE



- CAREFULLY OPEN THE CARTON.
- REMOVE CONTENTS TO LAY OUT ON THE FLATTENED CARTON, CARPETED AREA, OR ANOTHER PROTECTIVE SURFACE TO AVOID DAMAGE WHILE ASSEMBLING.
- CHECK PACKAGE CONTENTS TO ASSURE ALL THE NECESSARY HARDWARE AND PARTS ARE RECEIVED UNDAMAGED.
- DO NOT USE DAMAGED OR DEFECTIVE PARTS/HARDWARE.
- CONTACT RETAILER FOR ANY MISSING PART AND/OR HARDWARE.

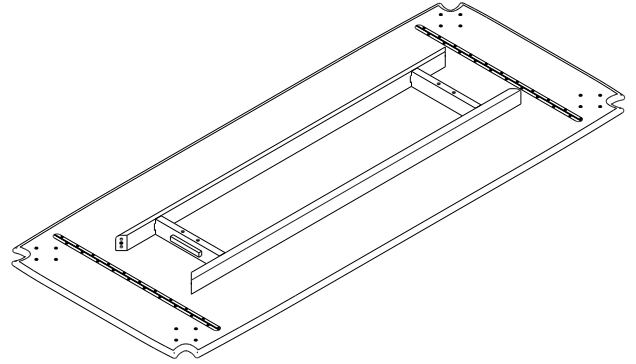


- READ THE ASSEMBLY INSTRUCTIONS BEFORE INSTALLATION AND CAREFULLY FOLLOW THE INSTRUCTIONS GIVEN.
- SEEK THE ADVICE OF A PROFESSIONAL IF YOU ARE NOT FAMILIAR WITH THESE INSTALLATIONS OR HAVE ANY DOUBTS ABOUT THE SAFETY OF THIS INSTALLATION.



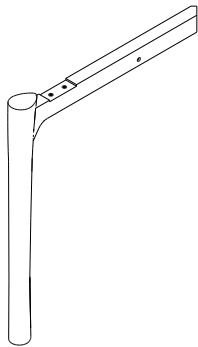
- IT IS ADVISABLE TO DO THIS ASSEMBLY WITH MINIMUM OF 2 PERSONS.

PARTS TO ASSEMBLE



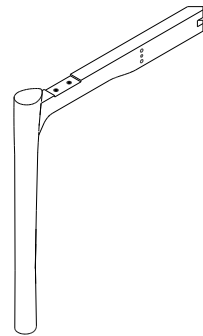
A TABLE TOP 1piece

CODE	DESCRIPTION
P4899	TABLE TOP 140x80
P4900	TABLE TOP 160x80
P4901	TABLE TOP 180x90
P4902	TABLE TOP 200x95
P4903	TABLE TOP 220x95
P4904	TABLE TOP 240x100



B LEG A 2 pieces

CODE	DESCRIPTION
P4905	LEG A



C LEG B 2 pieces

CODE	DESCRIPTION
P4906	LEG B

HARDWARE ENCLOSED

 H0907 BOLT M6x40 (4pcs)	 H0789 COUNTERSUNK SCREW M6x25 (24pcs)
 H2180 METAL PLATE (4pcs)	

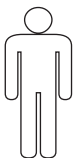
TOOL ENCLOSED

 H0745 ALLEN KEY (1pc)
--

SYMBOLS



DIRECTION



NUMBER OF PERSONS NEEDED



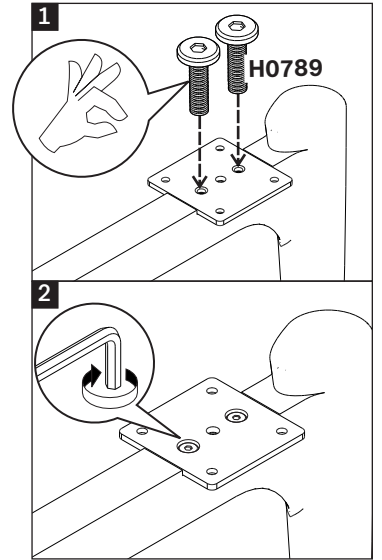
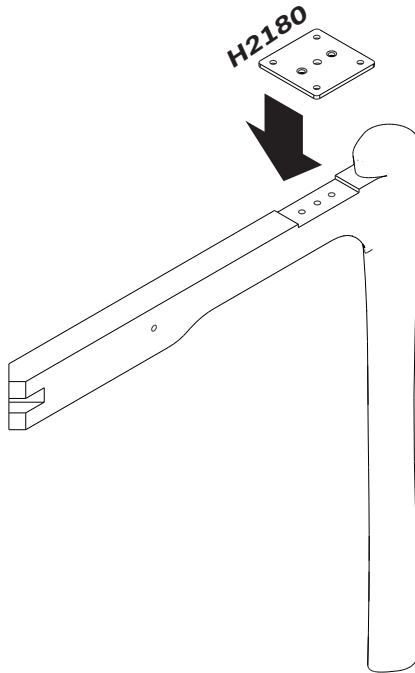
USE HAND



USE ALLEN KEY TO TIGHTEN

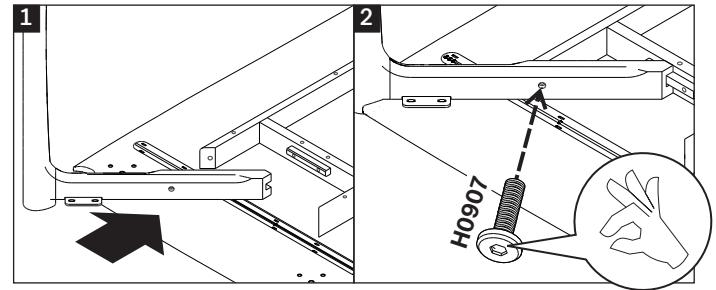
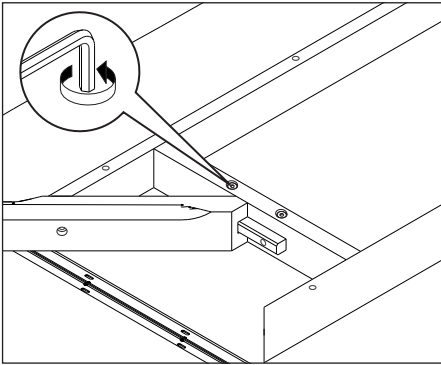
OAK POLISHED IMPERFECT DINING TABLE ASSEMBLY INSTRUCTIONS FOR DINING TABLE INSTALLATION

A INSTALLING METAL PLATE TO LEG



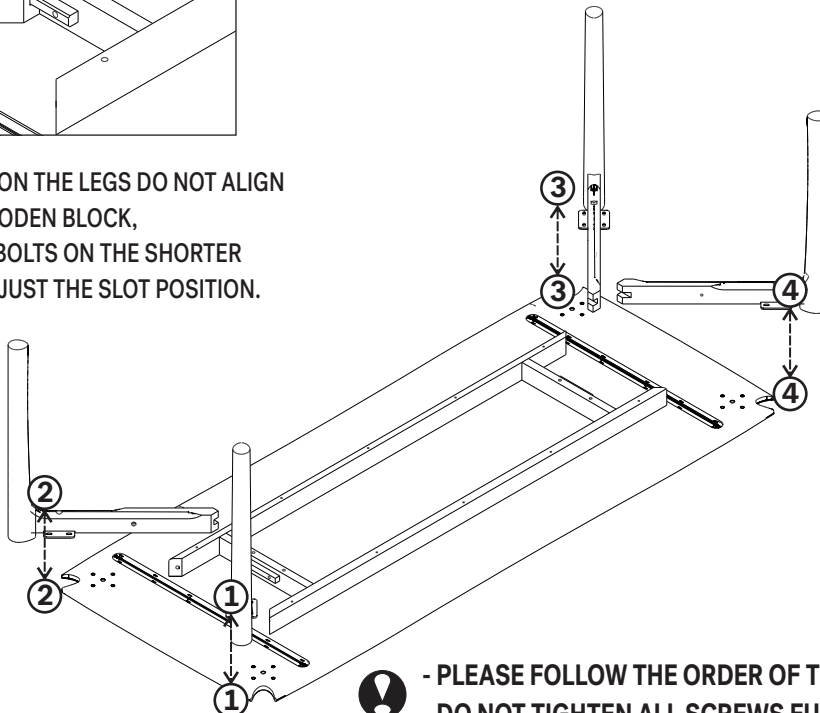
- USE COUNTERSUNK SCREW M6x25 (X2)
- TIGHTEN ALL SCREWS FULLY
- REPEAT ABOVE STEP FOR OTHER LEGS

B INSTALLING LEGS TO TABLE TOP



- USE SCREW M6x40 (X4)
- DO NOT TIGHTEN SCREW FULLY

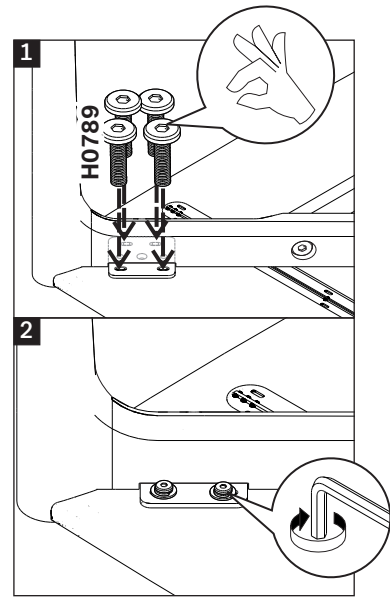
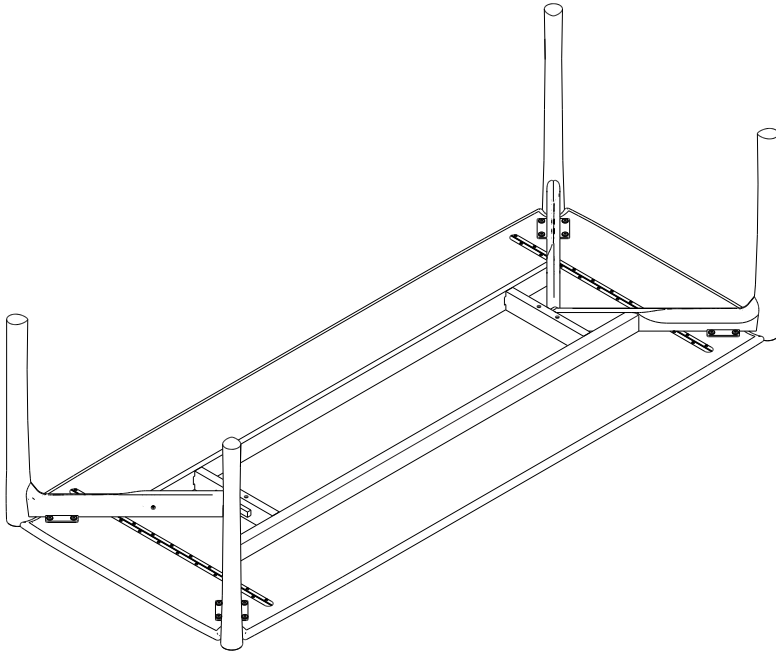
- ! IF THE SLOTS ON THE LEGS DO NOT ALIGN WITH THE WOODEN BLOCK, LOOSEN THE BOLTS ON THE SHORTER APRON TO ADJUST THE SLOT POSITION.



- ! - PLEASE FOLLOW THE ORDER OF THE NUMBERS AS DISPLAYED
- DO NOT TIGHTEN ALL SCREWS FULLY UNTIL THE FINAL STEP

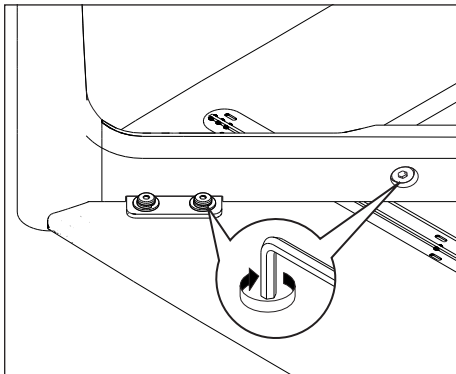
OAK POLISHED IMPERFECT DINING TABLE ASSEMBLY INSTRUCTIONS FOR DINING TABLE INSTALLATION

C INSTALLING METAL PLATE SCREWS

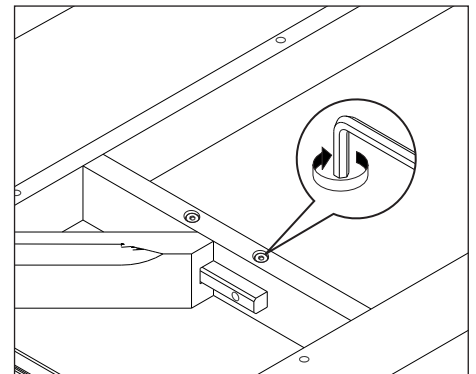
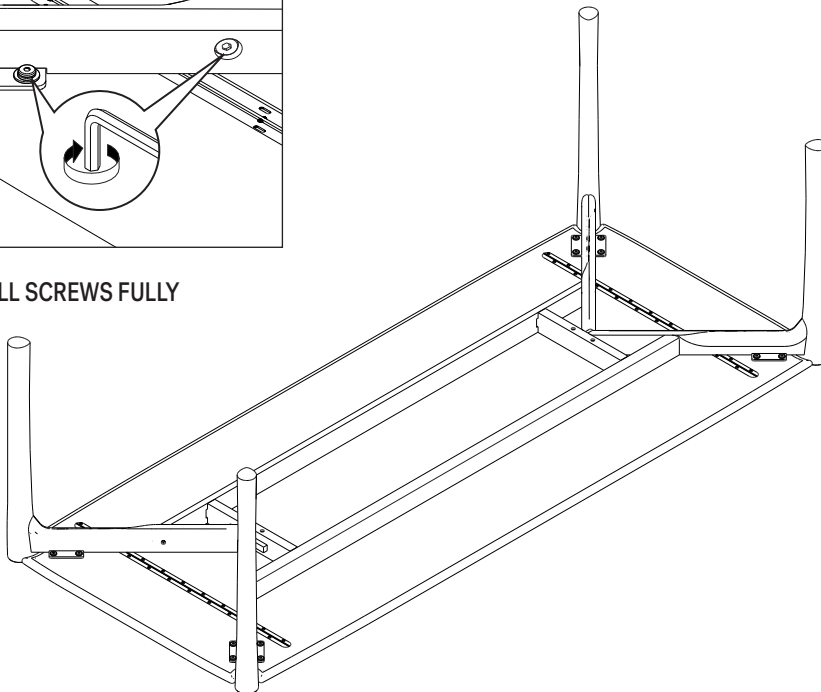


- ! - USE COUNTERSUNK SCREW M6x25 (X16)
- DO NOT TIGHTEN ALL SCREWS FULLY
- REPEAT ABOVE STEP FOR OTHER LEGS

D TIGHTEN THE SCREWS



- ! TIGHTEN ALL SCREWS FULLY



- ! IF PREVIOUSLY LOOSENED, RE-ADJUST THE SCREWS IN THE SHORTER APRON TO FULLY TIGHTEN