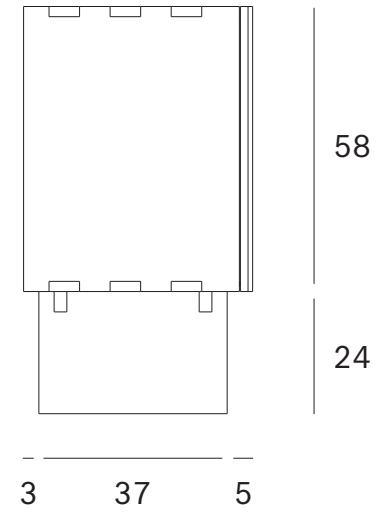
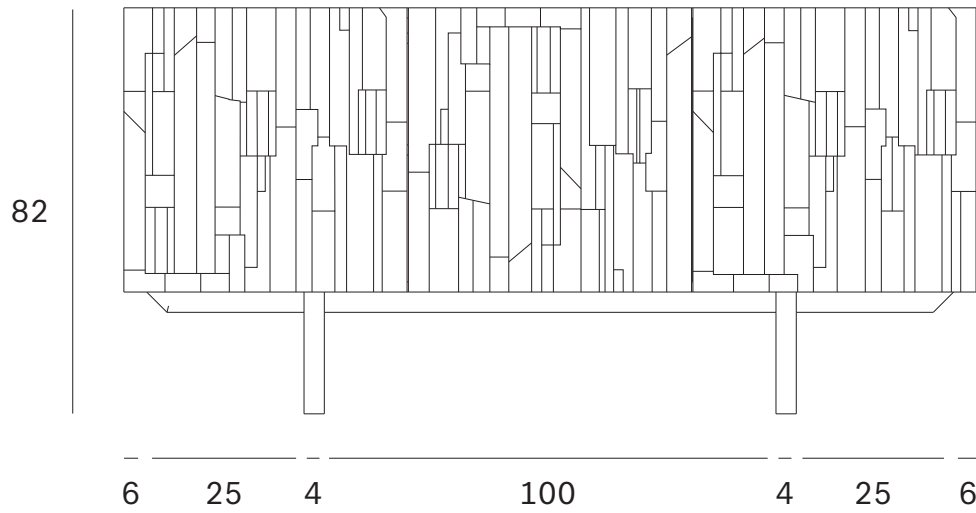
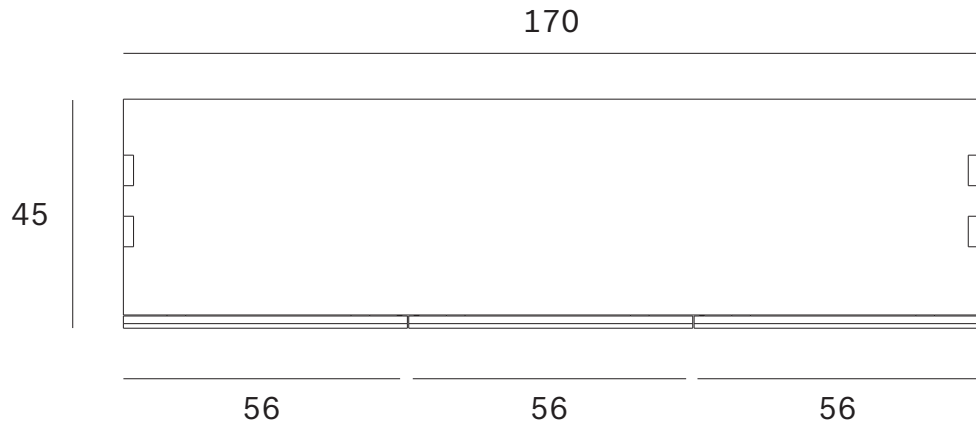
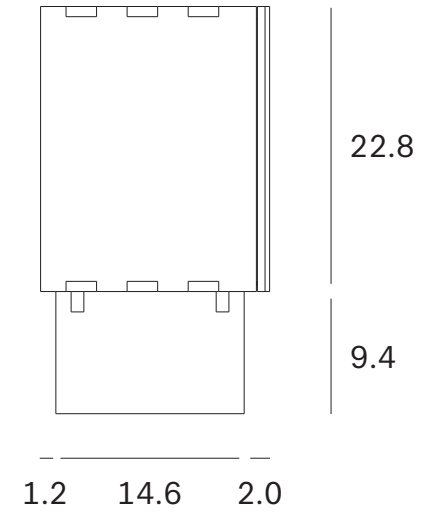
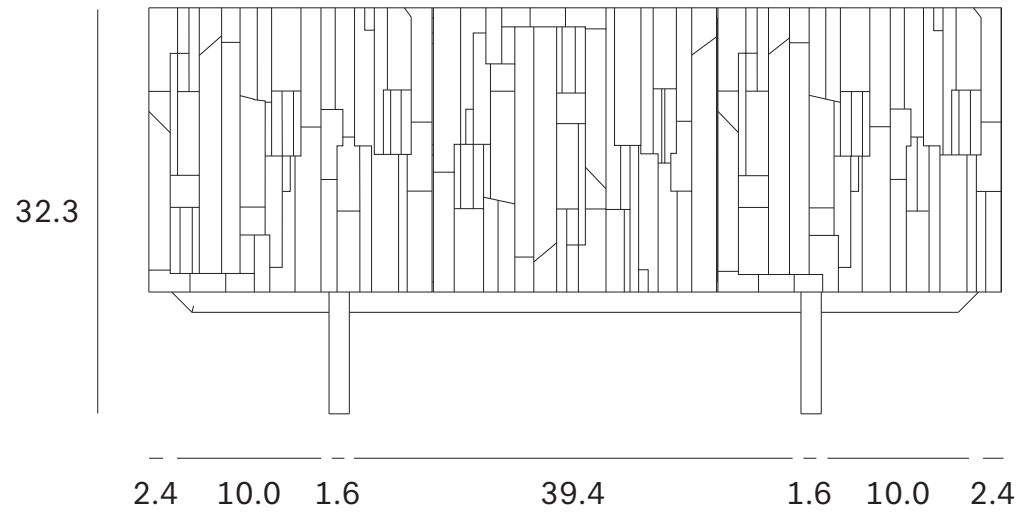
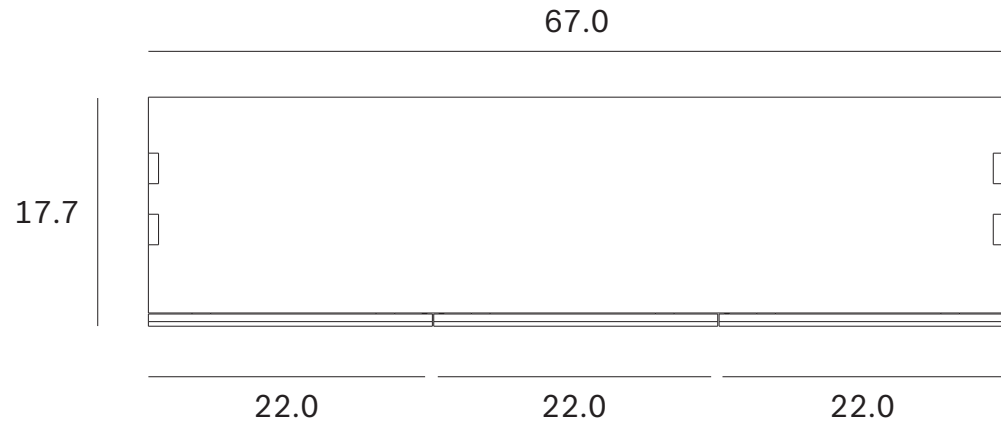


Mosaic sideboard - Dimensions (cm)



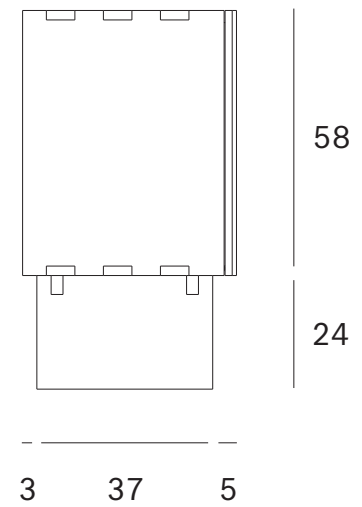
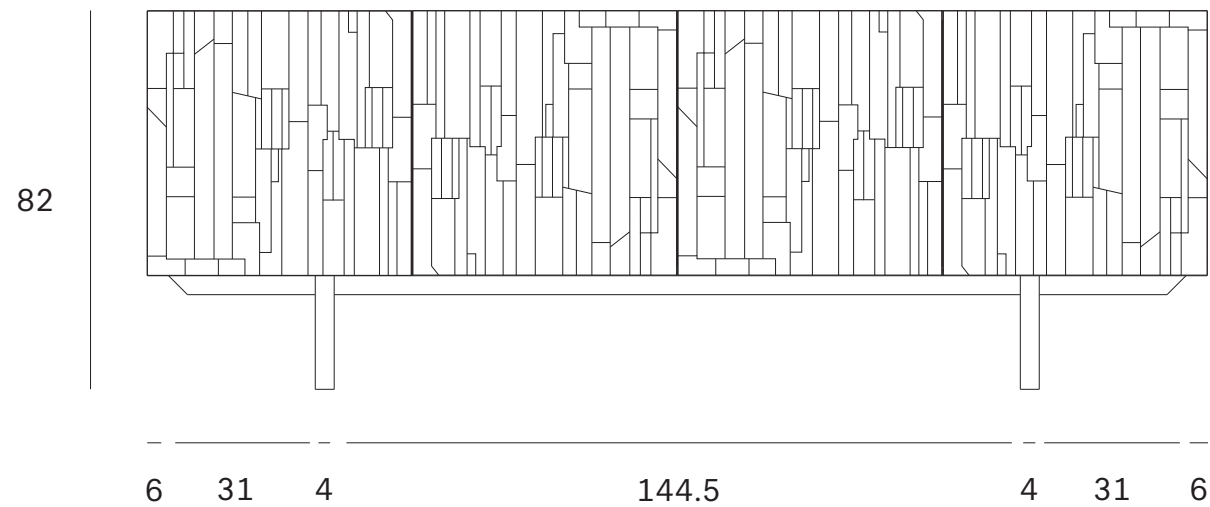
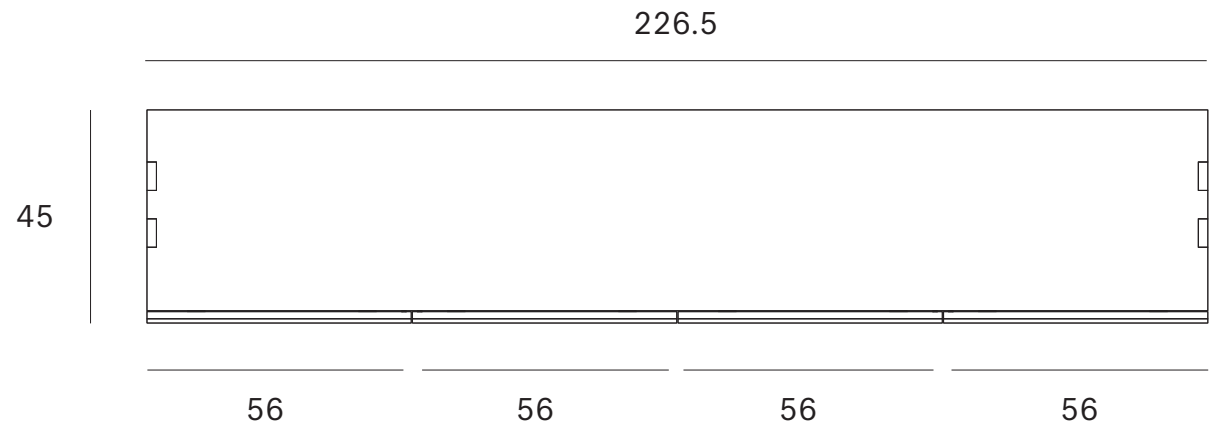
Ethnicraft

Mosaic sideboard - Dimensions (inches)



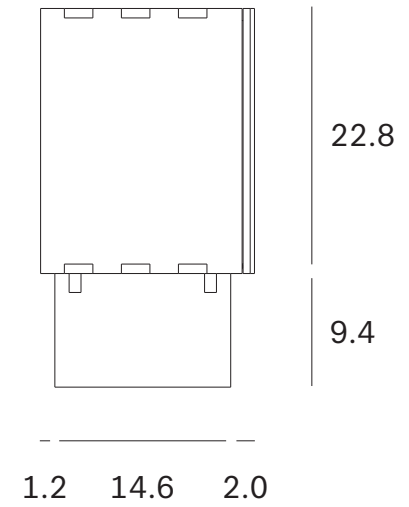
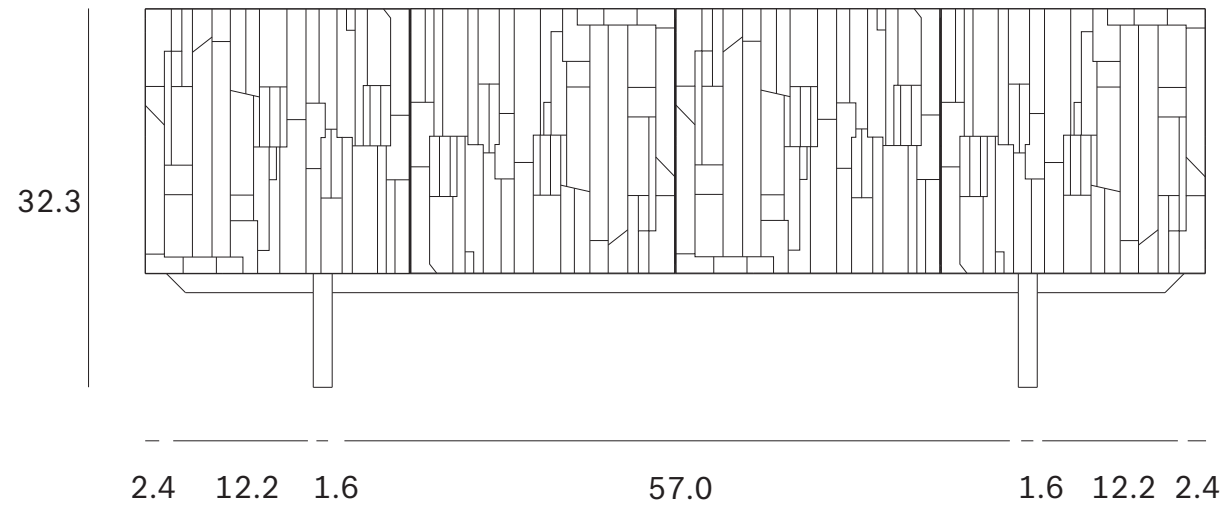
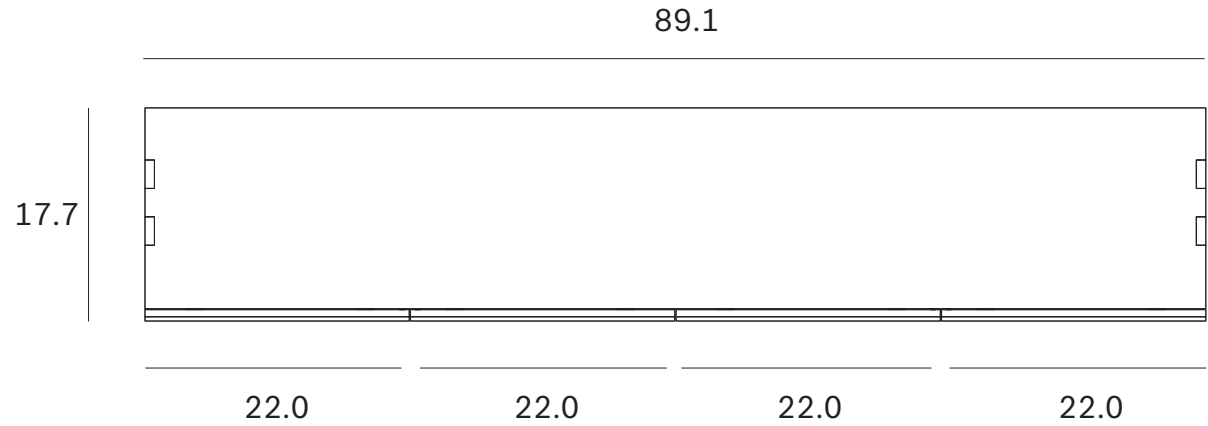
Ethnicraft

Mosaic sideboard - Dimensions (cm)



Ethnicraft

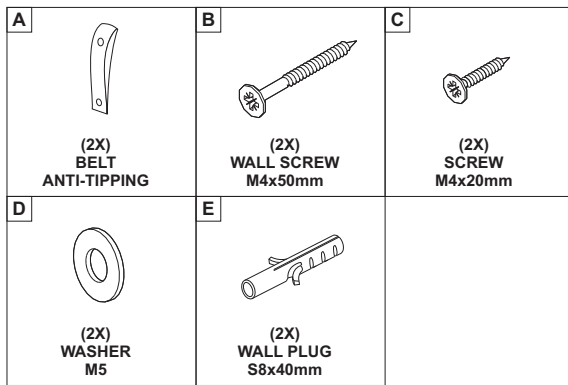
Mosaic sideboard - Dimensions (inches)



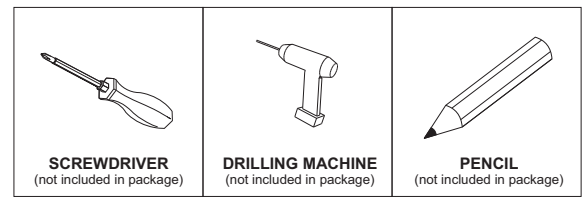
Ethnicraft

ASSEMBLY INSTRUCTION FOR ANTI-TIPPING INSTALLATION

HARDWARE ENCLOSED



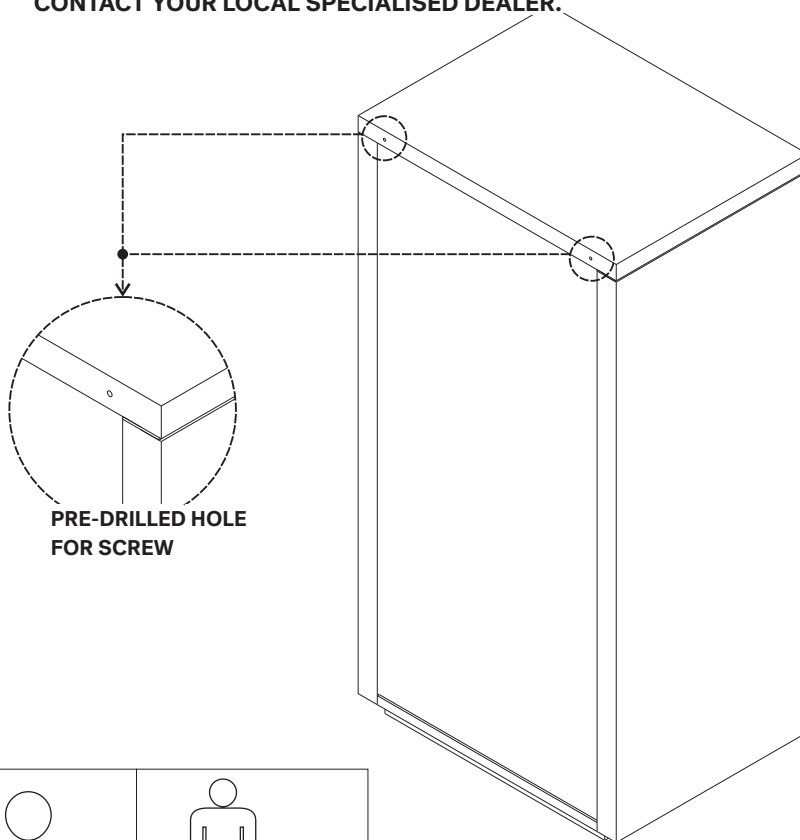
TOOLS



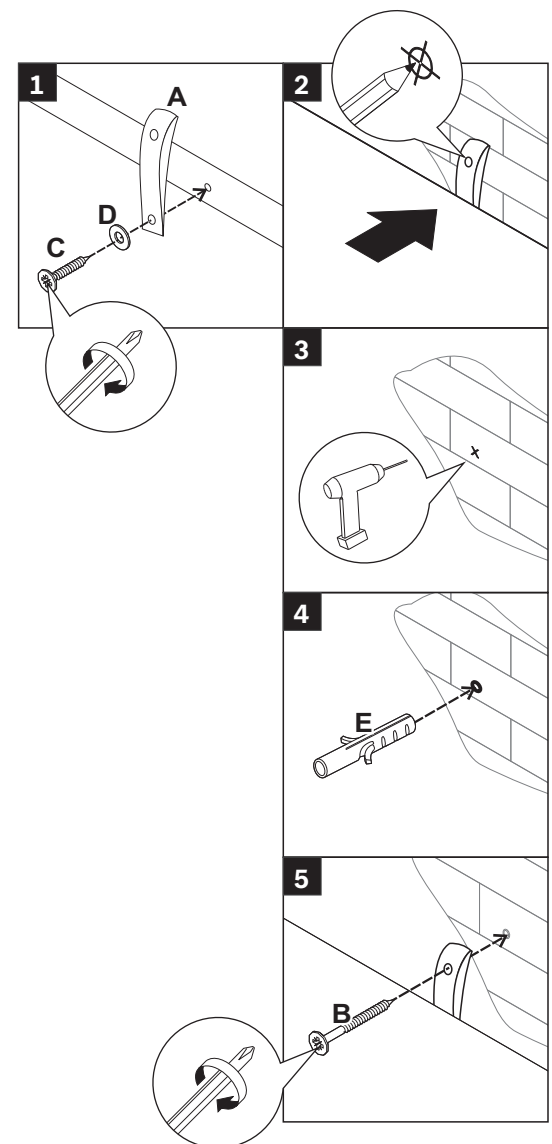
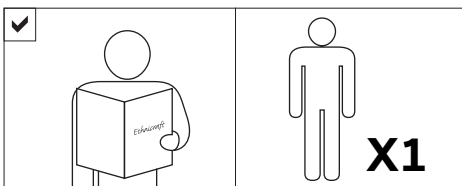
INSTALLING ANTI-TIPPING SYSTEM



AS WALL MATERIALS VARY,
THE SCREW INCLUDED ARE FOR BRICK WALL.
FOR ADVICE ON SUITABLE SCREW SYSTEMS,
CONTACT YOUR LOCAL SPECIALISED DEALER.



NOTICE

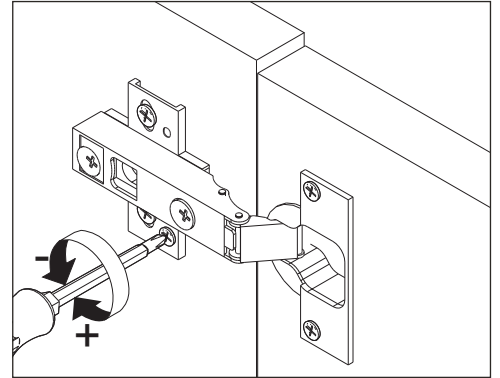
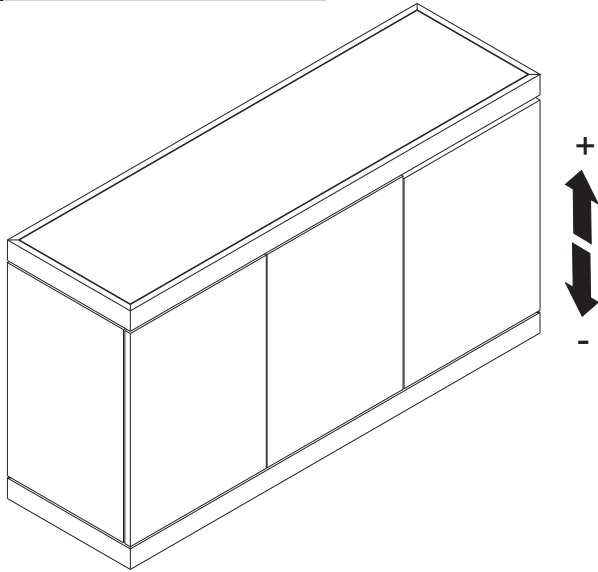


INSTRUCTION

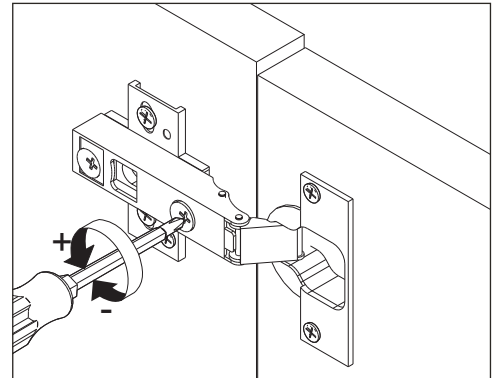
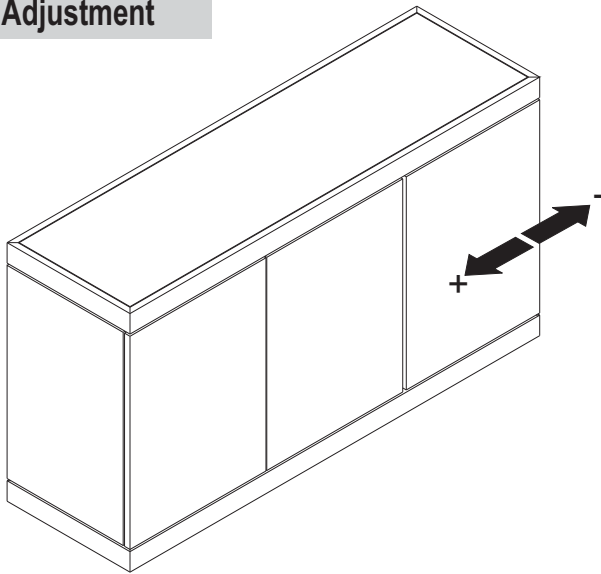
1. Install anti-tipping belt (A), washer (D) with M4x20mm screw (C) into the pre-drilled hole on the top back frame of the item.
2. Using a 1/4" diameter drill bit, drill the wall at the same level as the anti-tipping belt (A) on the item. Install the wall plug (E) into the hole.
3. Connect the anti-tipping belt (A) with wall screw (B) into the wall plug (E)

ASSEMBLY INSTRUCTION FOR HINGE ADJUSTMENT

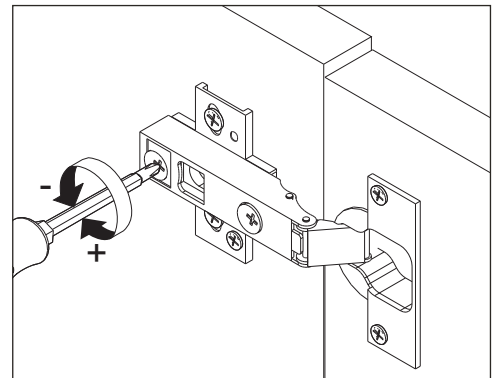
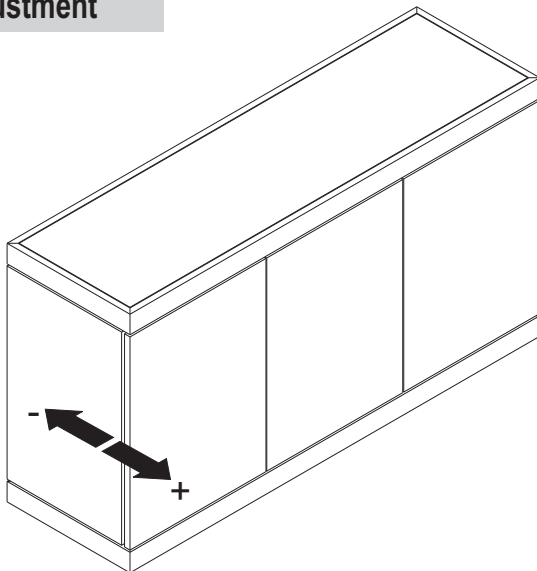
A. Vertical Adjustment



B. Horizontal Adjustment

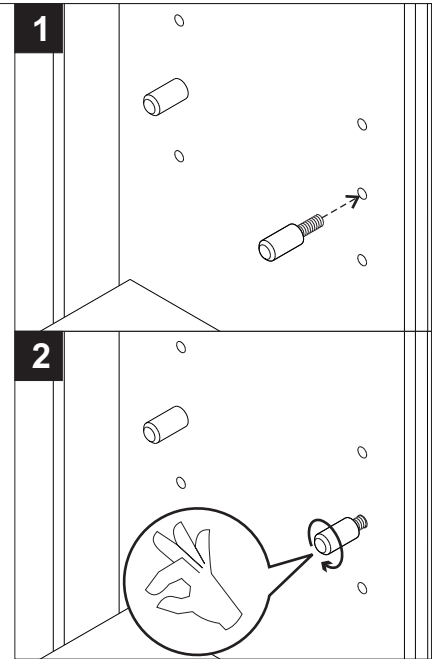
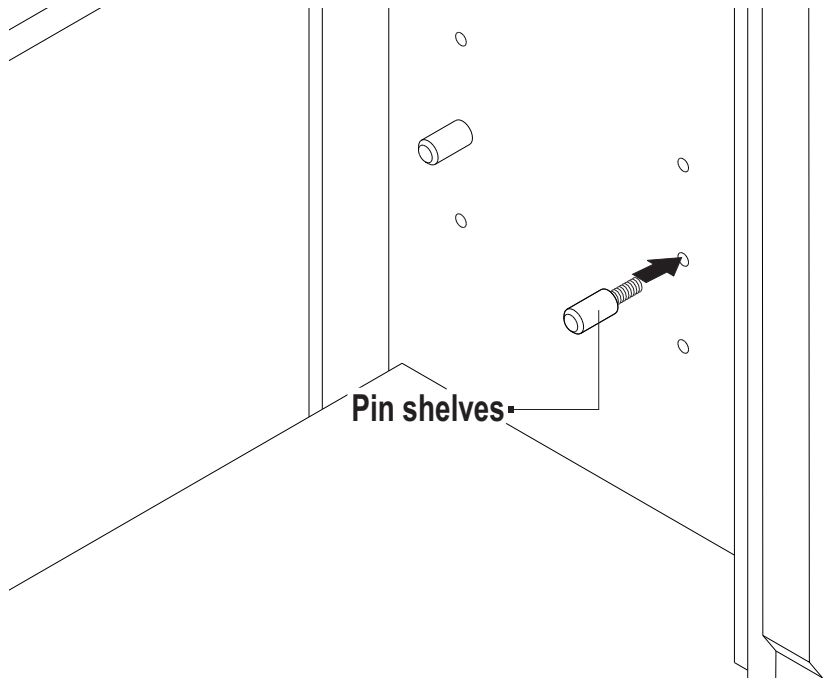


C. Depth Adjustment



ASSEMBLY INSTRUCTION FOR PIN SHELVES INSTALLATION

A. Installing the Pin Shelves



Note :
Choose The Desired Shelf Height
(Bottom, Middle or Top)

B. Installing Shelves

