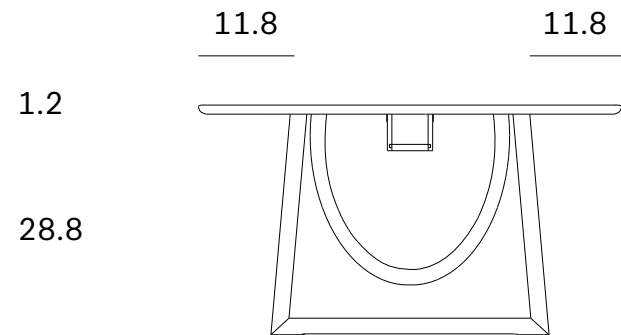
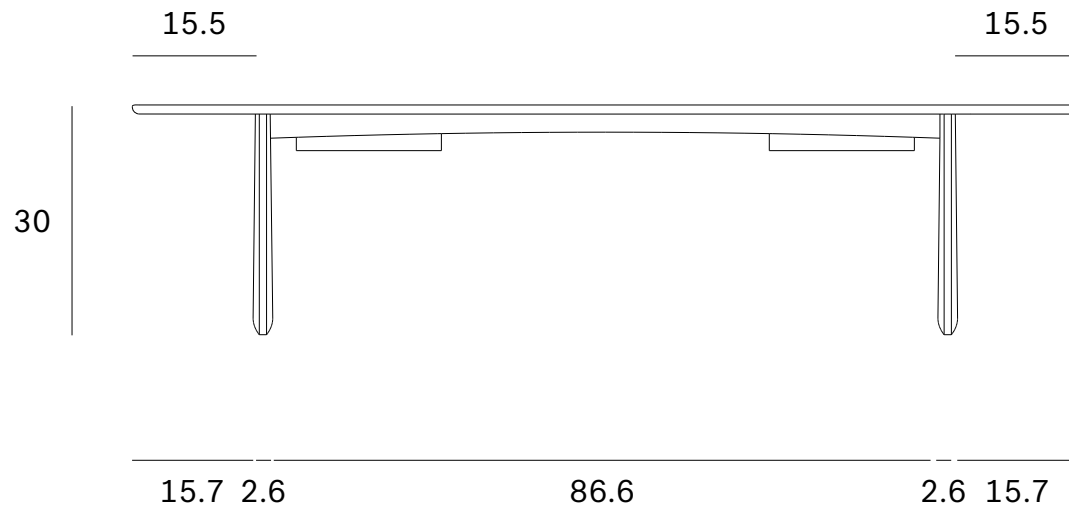
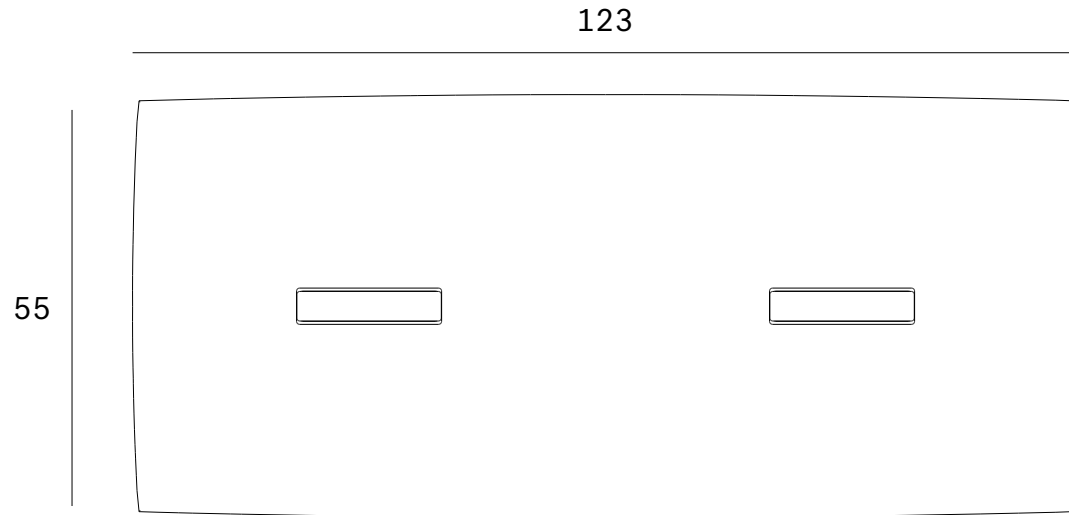


*Ethnicraft*

**Geometric meeting table - Dimensions (inches)**



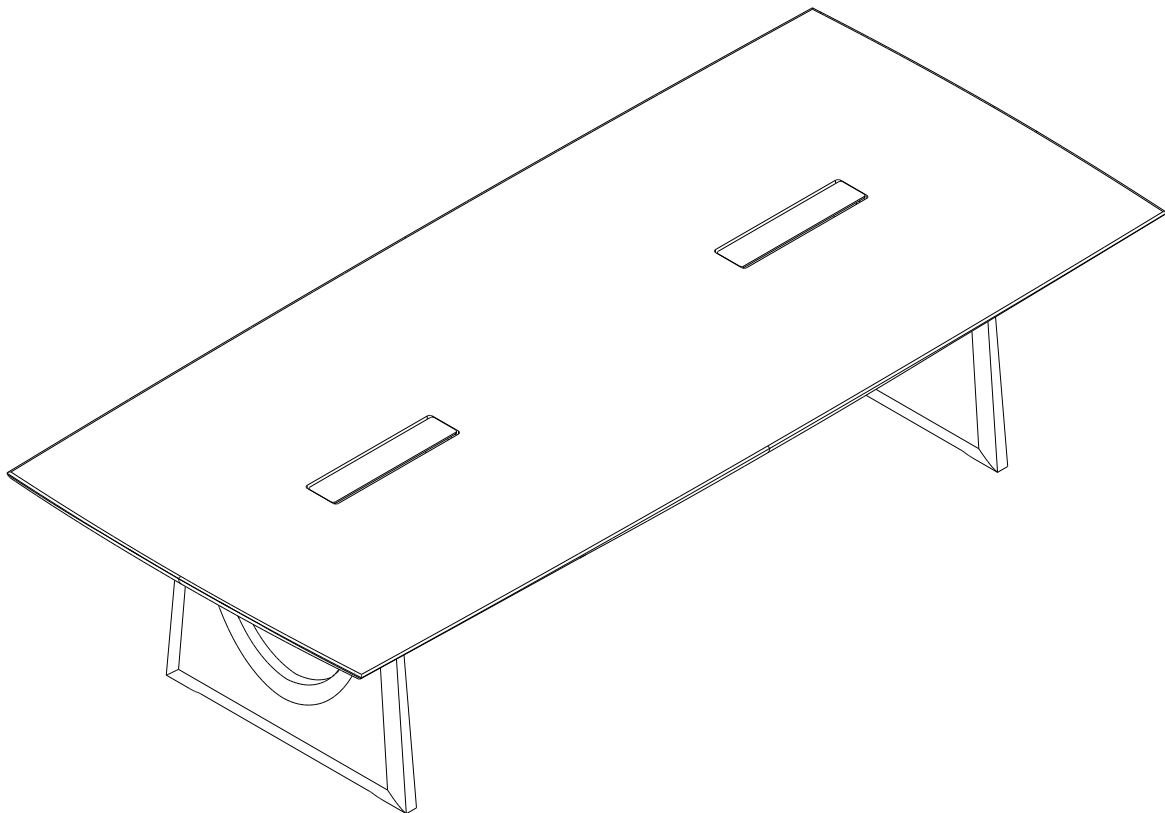
# Ethnicraft

## ASSEMBLY INSTRUCTIONS FOR TABLE INSTALLATION

---

### GEOMETRIC MEETING TABLE - VARNISHED OAK

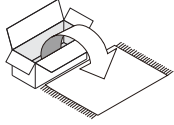
CODE	DESCRIPTION
53061	GEOMETRIC MEETING TABLE - VARNISHED OAK - WITH CABLE MANAGEMENT - 313/140/76



## GEOMETRIC MEETING TABLE - VARNISHED OAK ASSEMBLY INSTRUCTIONS FOR TABLE INSTALLATION



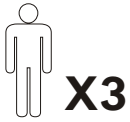
### NOTE



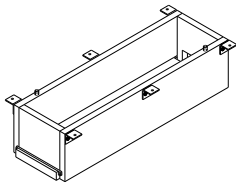
- CAREFULLY OPEN THE CARTON,
- REMOVE CONTENTS AND LAY OUT ON CARPET OR THE PACKAGING CARTON BOX OR OTHER PROTECTIVE SURFACE TO AVOID DAMAGE.
- CHECK PACKAGE CONTENTS TO ASSURE ALL THE NECESSARY HARDWARE AND PARTS ARE RECEIVED UNDAMAGED.
- DO NOT USE DAMAGE OR DEFECTIVE PARTS/HARDWARE.
- CONTACT ETHNICRAFT FOR ANY MISSING PART AND/OR HARDWARE.



- READ THE ASSEMBLY INSTRUCTION BEFORE INSTALLATION AND CAREFULLY FOLLOW THE INSTRUCTION GIVEN.
- SEEK THE ADVICE OF A PROFESSIONAL IF YOU ARE NOT FAMILIAR WITH THESE INSTALLATIONS OR HAVE ANY DOUBTS ABOUT THE SAFETY OF THIS INSTALLATION.



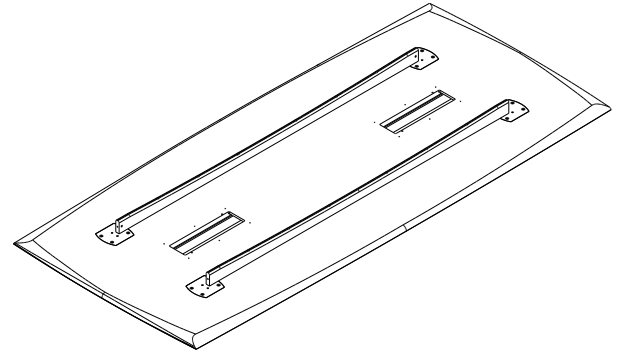
- IT IS ADVISABLE TO DO THIS ASSEMBLY WITH MINIMUM OF 3 PERSONS.



### C CABLE MANAGEMENT BOX 2 pieces

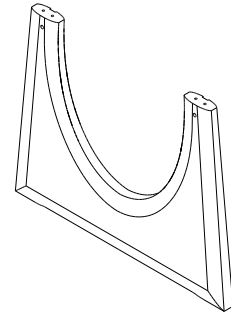
CODE	DESCRIPTION
P4967	CABLE MANAGEMENT BOX

### PARTS TO ASSEMBLE



### A TABLE TOP 1 piece

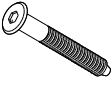
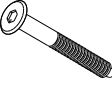

CODE	DESCRIPTION
P4965	TABLE TOP



### B LEG 2 pieces

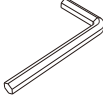
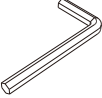
CODE	DESCRIPTION
P4966	LEG

### HARDWARE ENCLOSED

		
H0882 SCREW M8x50mm (8pcs)	H2055 SCREW M6x60mm (4pcs)	H0897 WOOD SCREW 4,5x20mm (12pcs)

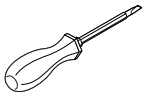
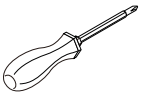
### TOOLS ENCLOSED

(Included in package)

	
H0745 L KEY 4 (1pc)	H0880 L KEY 5 (1pc)

### TOOLS REQUIRED

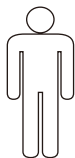
(Not Included in package)

	
FLATHEAD SCREWDRIVER	PHILLIPS SCREWDRIVER

### SYMBOLS



DIRECTION



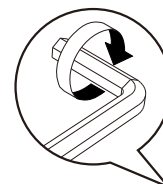
NUMBER OF  
PERSONS NEEDED



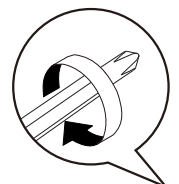
USE HAND



USE FLATHEAD SCREWDRIVER  
TO TIGHTEN



USE L KEY  
TO TIGHTEN

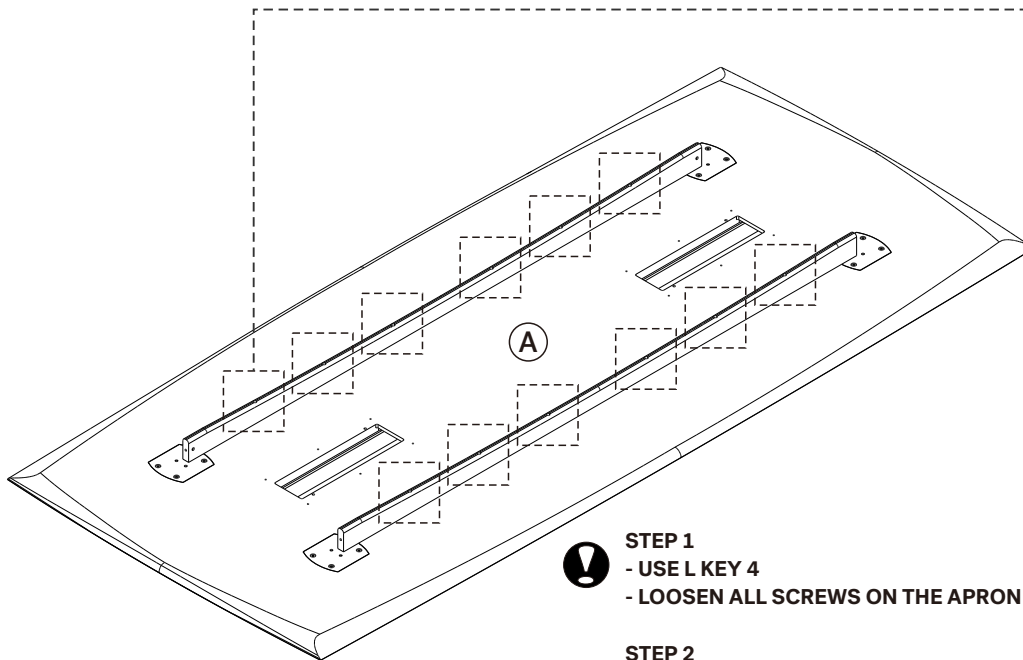


USE PHILLIPS SCREWDRIVER  
TO TIGHTEN

GEOMETRIC MEETING TABLE - VARNISHED OAK  
ASSEMBLY INSTRUCTIONS FOR TABLE INSTALLATION



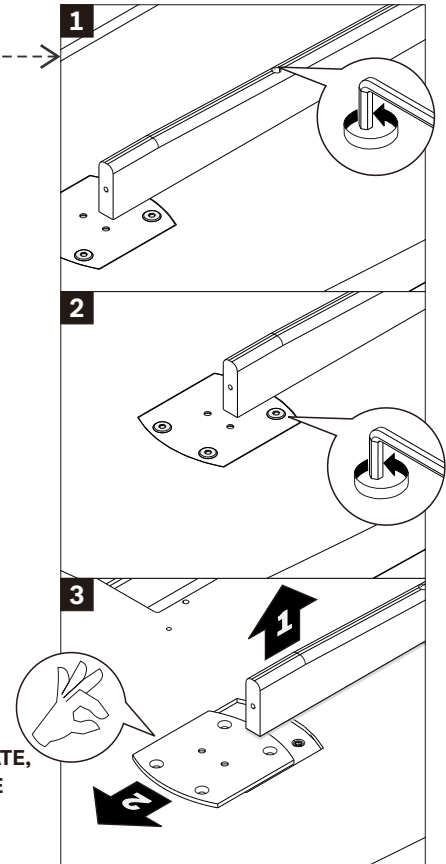
## A REMOVING METAL PLATES



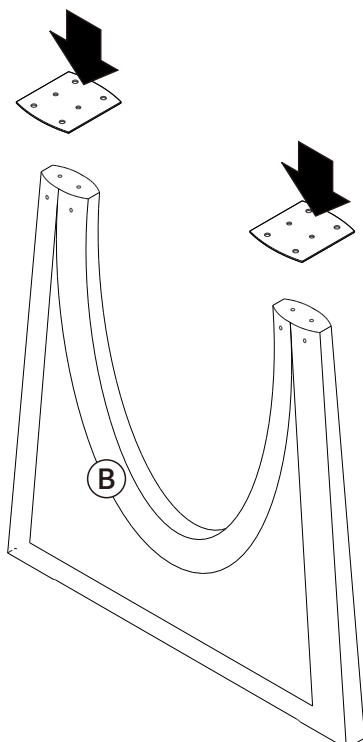
**STEP 1**  
- USE L KEY 4  
- LOOSEN ALL SCREWS ON THE APRON

**STEP 2**  
- USE L KEY 5  
- REMOVE ALL SCREWS FROM THE METAL PLATE, BUT DO NOT THROW AWAY, SCREWS WILL BE USED IN STEP C

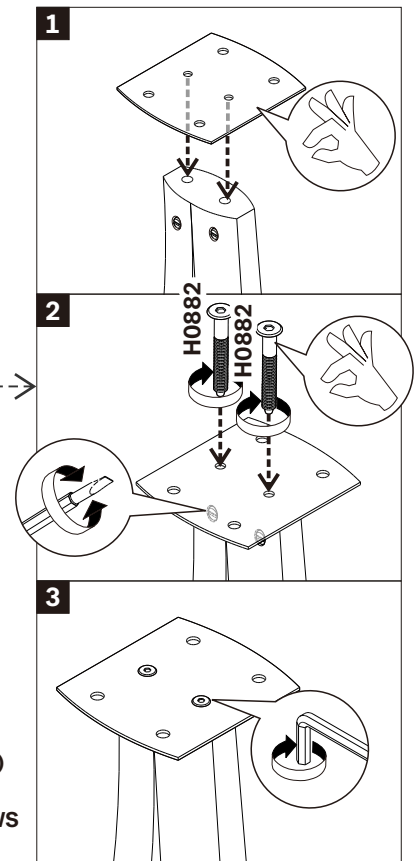
**STEP 3**  
- SLIGHTLY LIFT THE APRON  
- REMOVE THE METAL PLATE



## B INSTALLING METAL PLATES TO THE LEGS



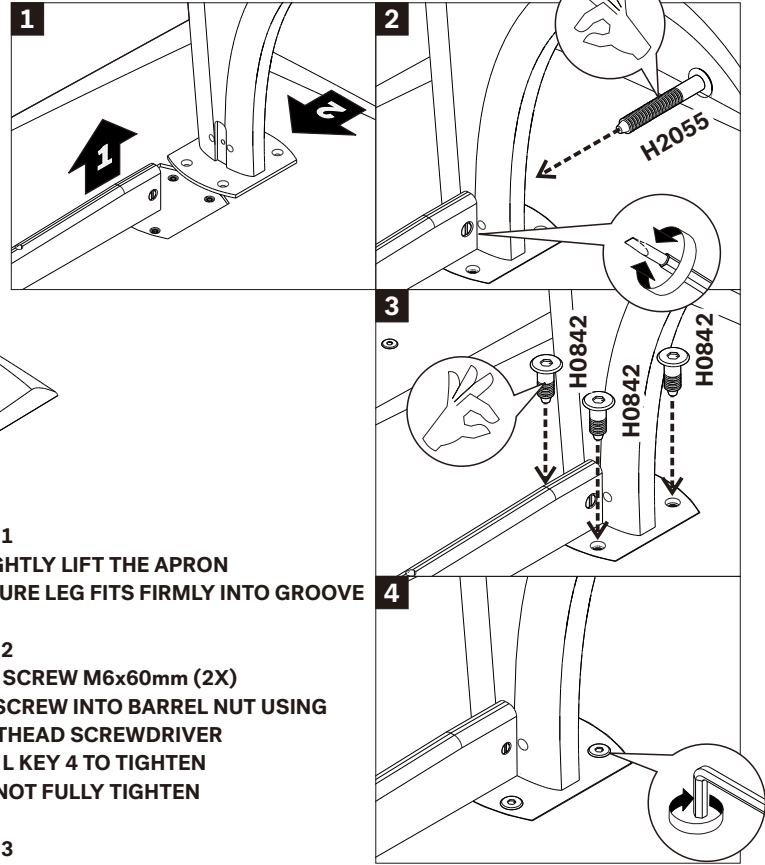
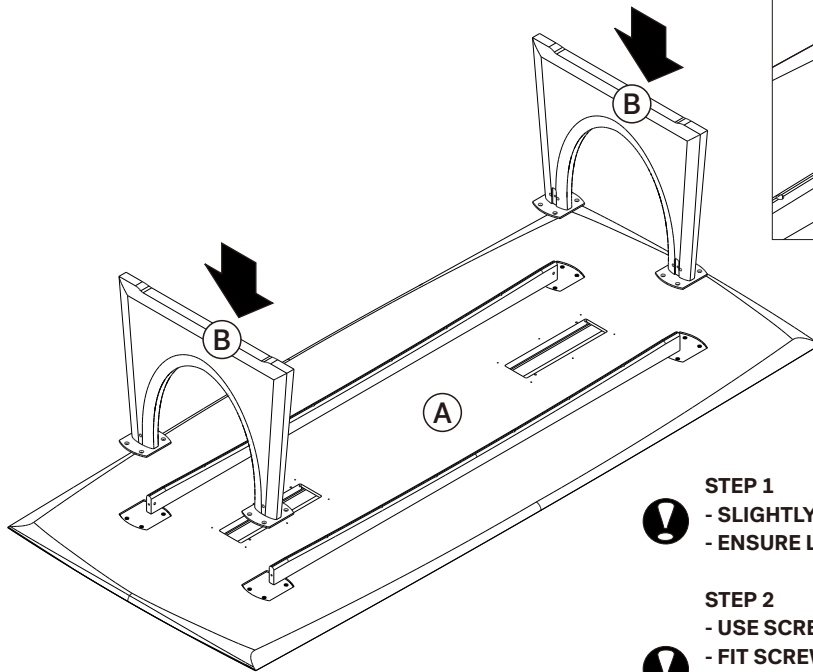
FIT SCREW INTO BARREL NUT USING  
FLATHEAD SCREWDRIVER



- USE METAL PLATE (4X)  
- USE SCREW M8x50mm (8X)  
- USE L KEY 5 TO TIGHTEN  
- TIGHTEN FULLY ALL SCREWS

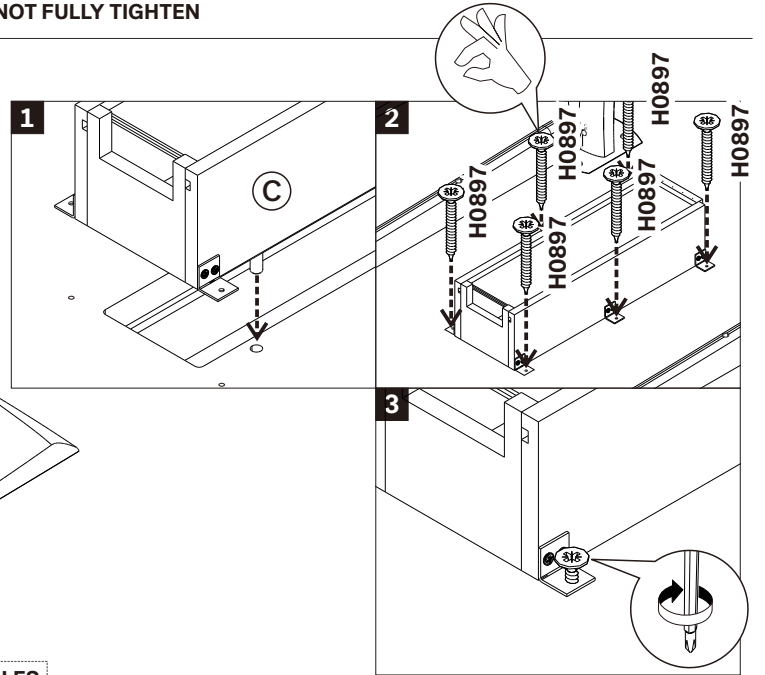
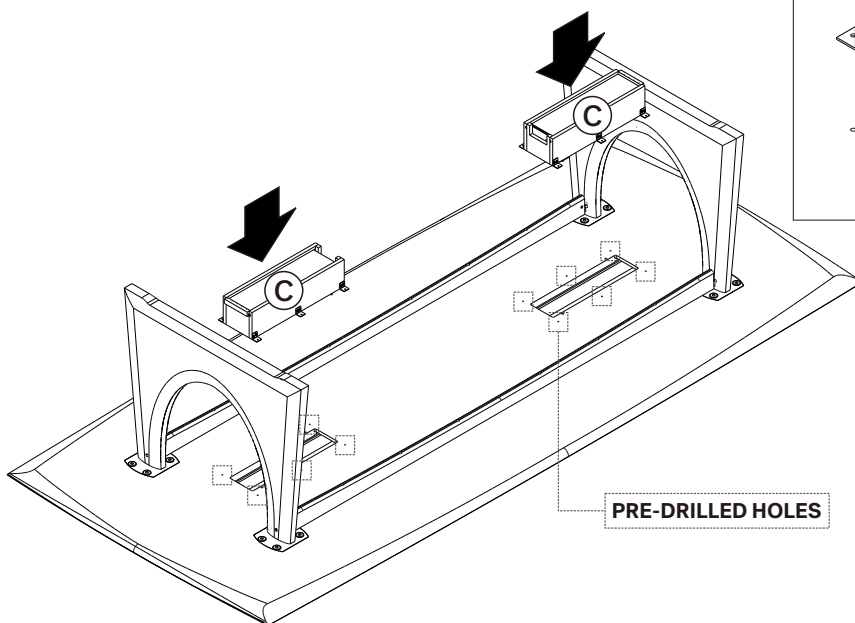


## C INSTALLING THE LEGS

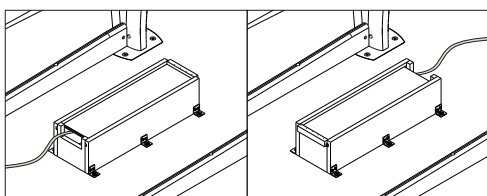


- STEP 1**
- SLIGHTLY LIFT THE APRON
  - ENSURE LEG FITS FIRMLY INTO GROOVE
- STEP 2**
- USE SCREW M6x60mm (2X)
  - FIT SCREW INTO BARREL NUT USING FLATHEAD SCREWDRIVER
  - USE L KEY 4 TO TIGHTEN
  - DO NOT FULLY TIGHTEN
- STEP 3**
- USE SCREW M8x16mm (8X)
  - USE L KEY 5 TO TIGHTEN
  - DO NOT FULLY TIGHTEN

## D INSTALLING CABLE MANAGEMENT BOXES



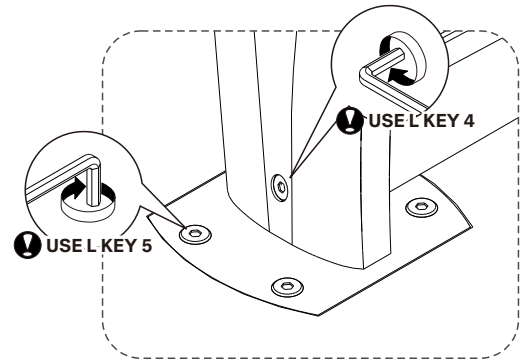
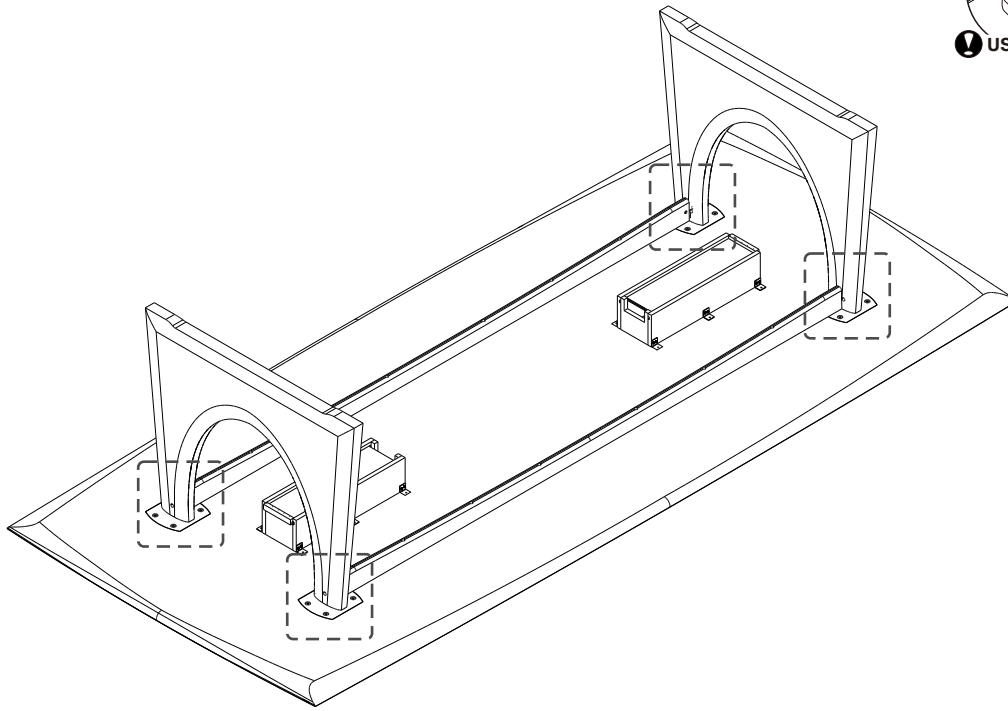
- USE WOOD SCREW 4,5x20mm (12X)
- TIGHTEN FULLY ALL SCREWS USING PHILLIPS SCREWDRIVER



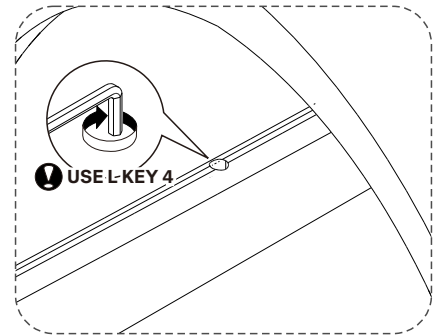
- CABLE MANAGEMENT BOXES CAN BE INSTALLED IN 2 DIRECTIONS AS PREFERRED, AND DEPENDING ON THE PLUG LOCATION ON THE WALL/FLOOR



## E RE-TIGHTEN ALL SCREWS



**TIGHTEN FULLY**



**TIGHTEN FULLY**

## F FINISH

