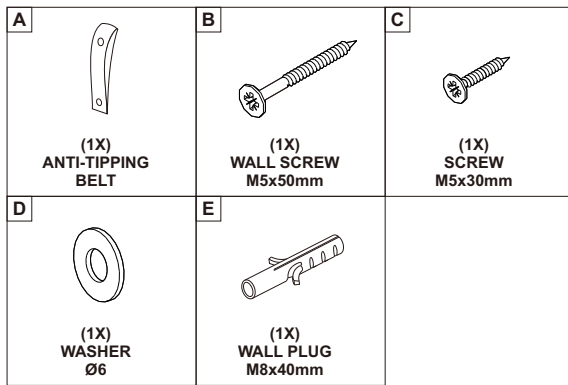


### HARDWARE ENCLOSED



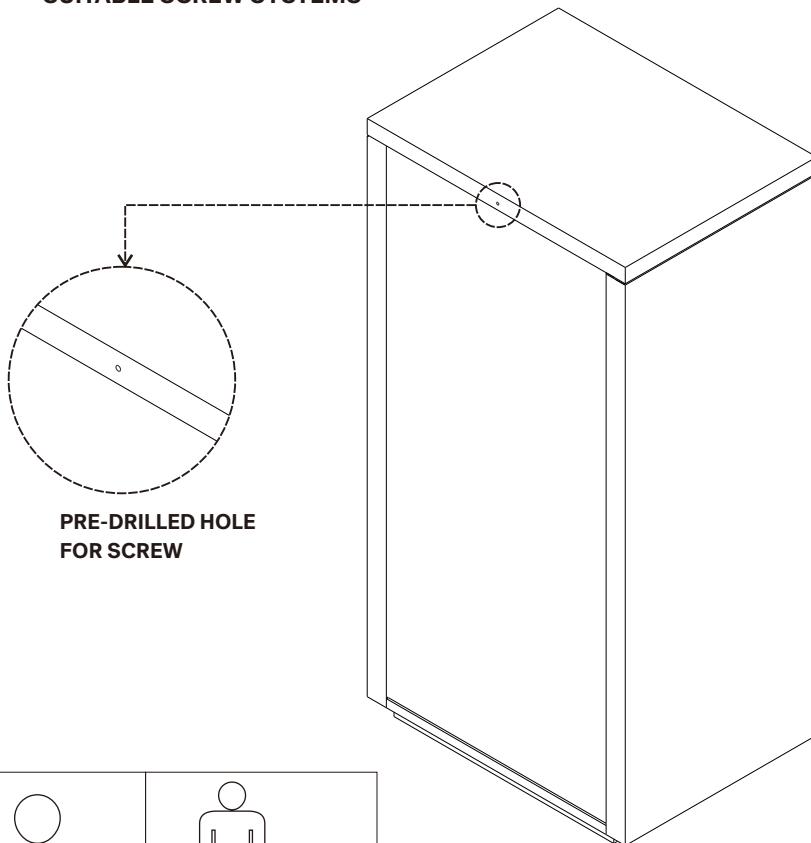
### TOOLS



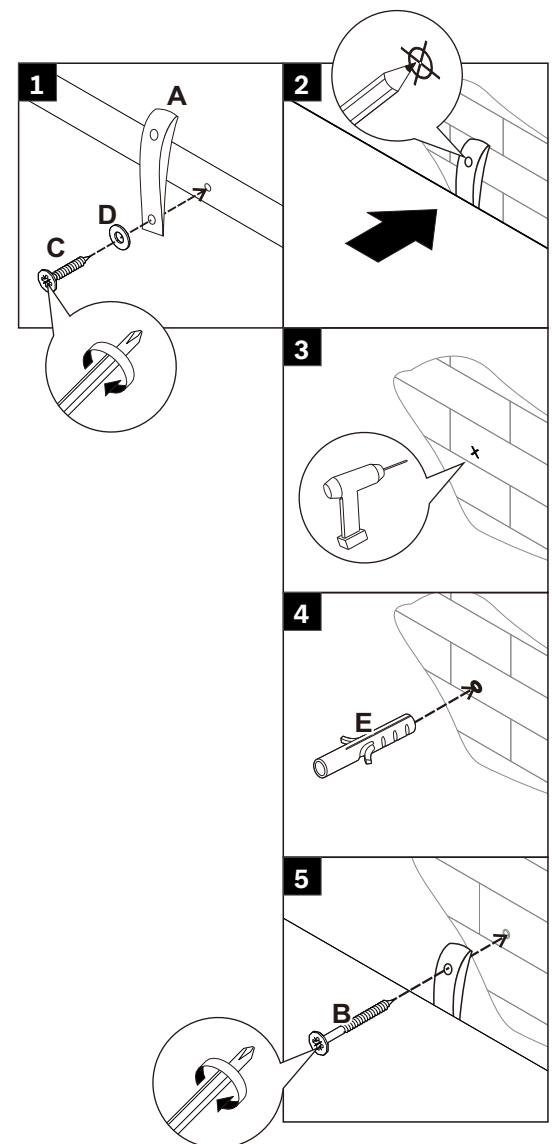
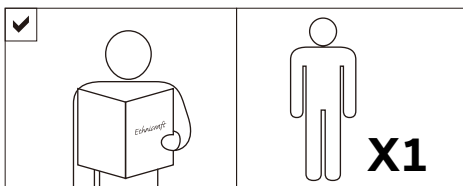
### INSTALLING ANTI-TIPPING SYSTEM



THE SCREWS INCLUDED ARE FOR BRICK WALL.  
 AS WALL MATERIALS VARY, CONTACT YOUR  
 LOCAL SPECIALISED DEALER FOR ADVICE ON  
 SUITABLE SCREW SYSTEMS



### NOTICE



### INSTRUCTION

1. Install anti-tipping belt (A), washer (D) with M5x30mm screw (C) into the pre-drilled hole on the top back frame of the item.
2. Using a 1/4" diameter drill bit, drill the wall at the same level as the anti-tipping belt (A) on the item. Install the wall plug (E) into the hole.
3. Connect the anti-tipping belt (A) with wall screw (B) into the wall plug (E)