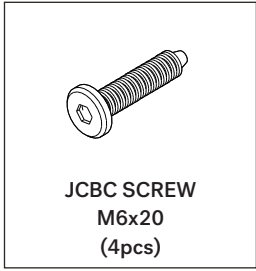
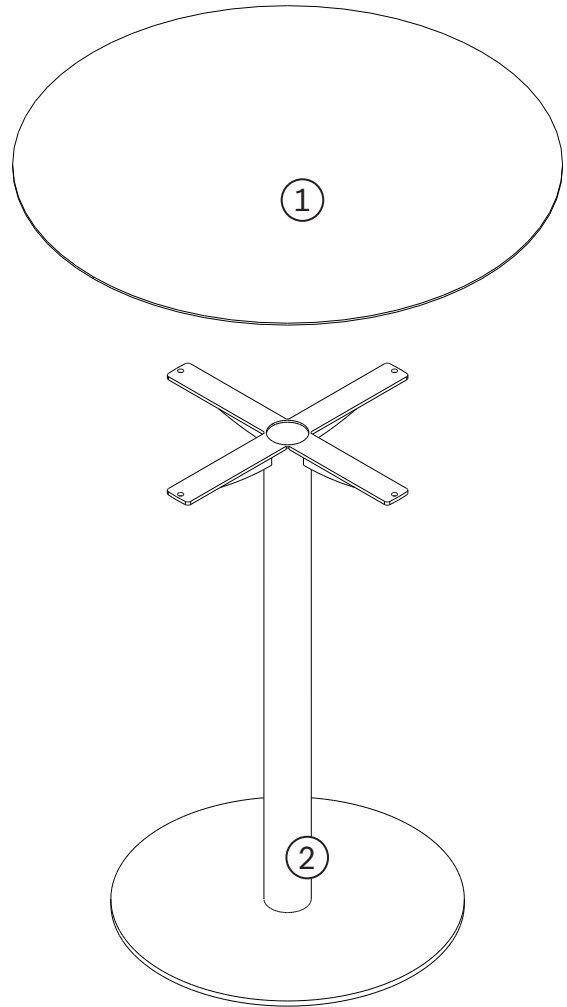
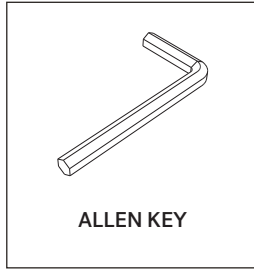


HARDWARE ENCLOSED



TOOL ENCLOSED



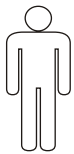
IN YOUR PACKAGE :
 ASSEMBLY INSTRUCTIONS
 HARDWARE (AS LISTED ABOVE)

PARTS TO BE INSTALLED
 1. TABLE TOP - ROUND (1pc)
 2. METAL BASE (1pc)

SYMBOLS



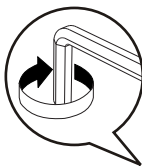
DIRECTION



NUMBER OF PERSONS NEEDED

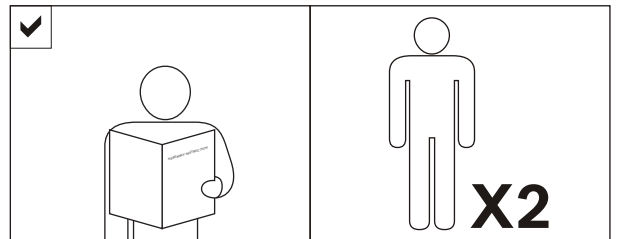


USE HAND



USE ALLEN KEY TO TIGHTEN

NOTICE



INSTALLING BASE TO TABLE TOP

