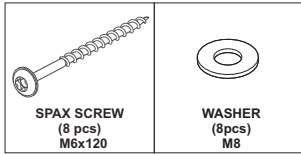
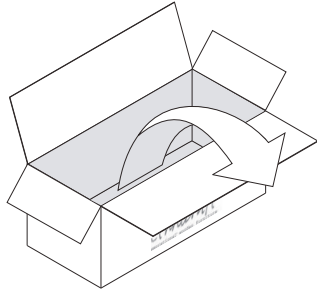


## OAK BOK DESK - WITH POWER OUTLET ASSEMBLY INSTRUCTION FOR DESK INSTALLATION

### HARDWARE ENCLOSED



### TOOL

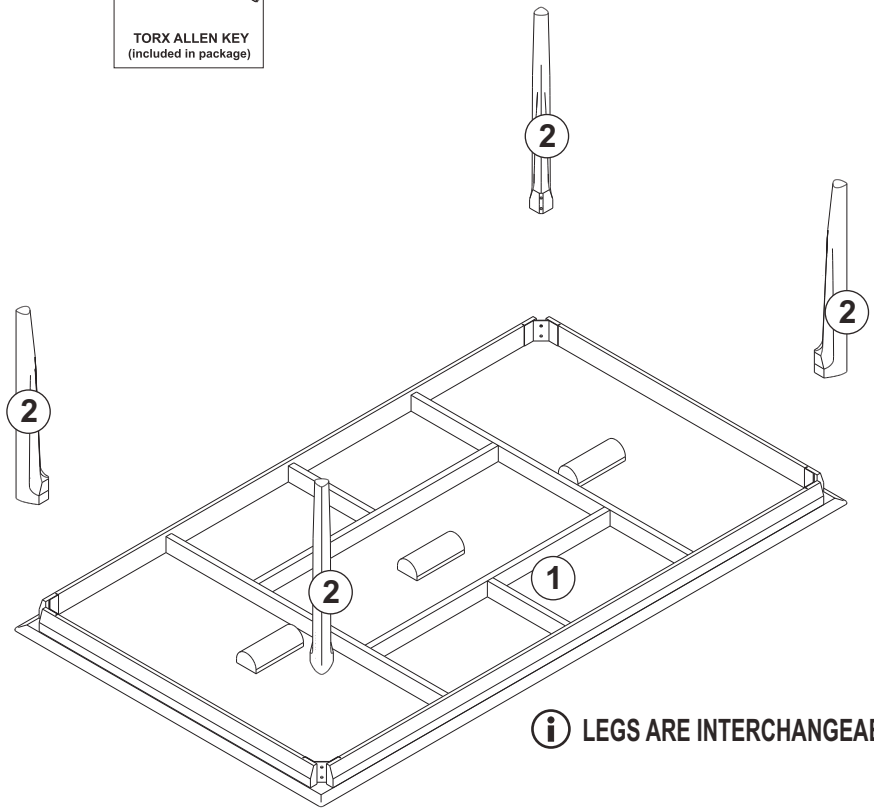


### IN YOUR PACKAGE :

ASSEMBLY INSTRUCTION  
HARDWARE ( AS LISTED ABOVE)

### PARTS TO BE INSTALLED

1. TABLE TOP 1pc
2. LEGS 4pcs

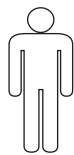


**i** LEGS ARE INTERCHANGEABLE

### SYMBOLS



DIRECTION

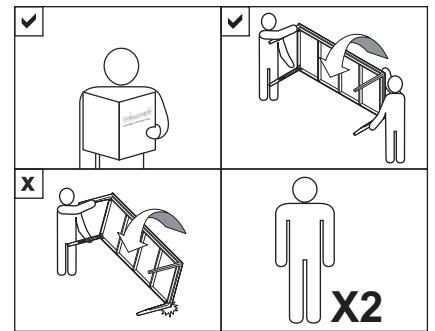


NUMBER OF  
PERSONS NEEDED

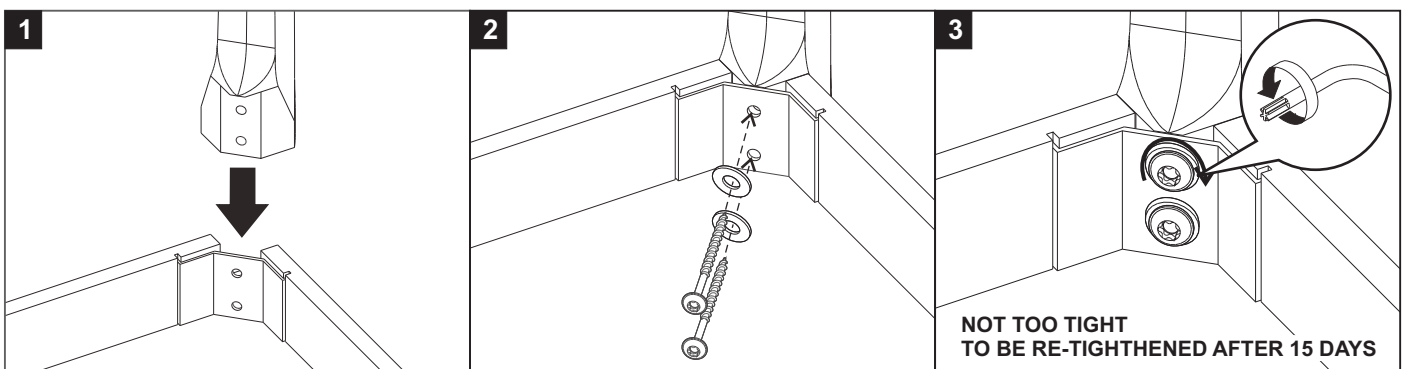


USE TORX ALLEN KEY  
TO TIGHTEN

### NOTICE



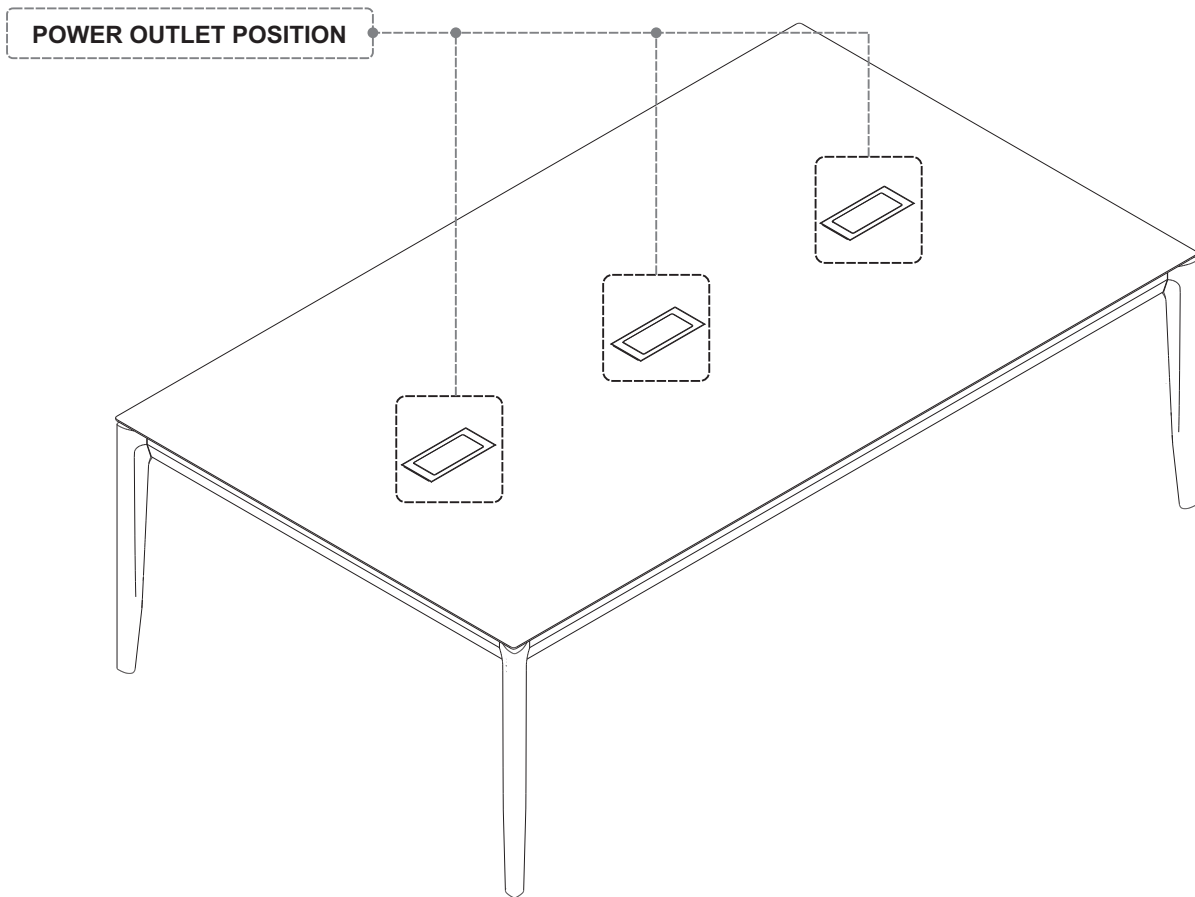
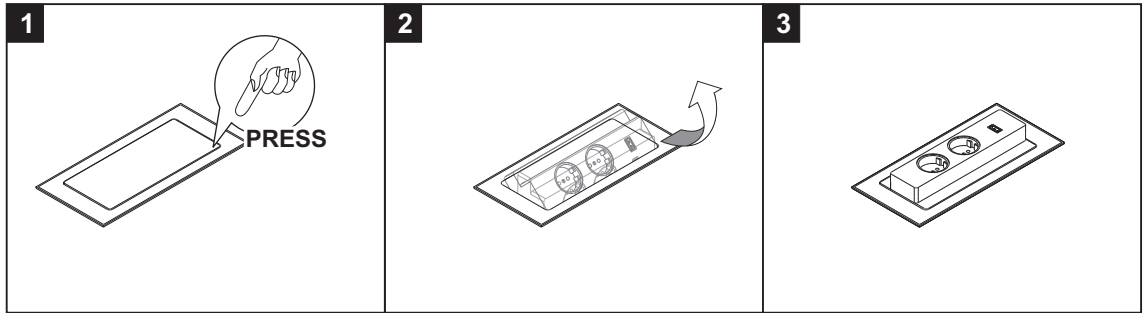
### CONNECTING THE LEGS AND THE TABLE TOP



REPEAT STEP 1 TO STEP 3 FOR OTHER LEGS

## OAK BOK DESK - WITH POWER OUTLET ASSEMBLY INSTRUCTION FOR DESK INSTALLATION

### OPEN POWER OUTLET



### CLOSE POWER OUTLET

