

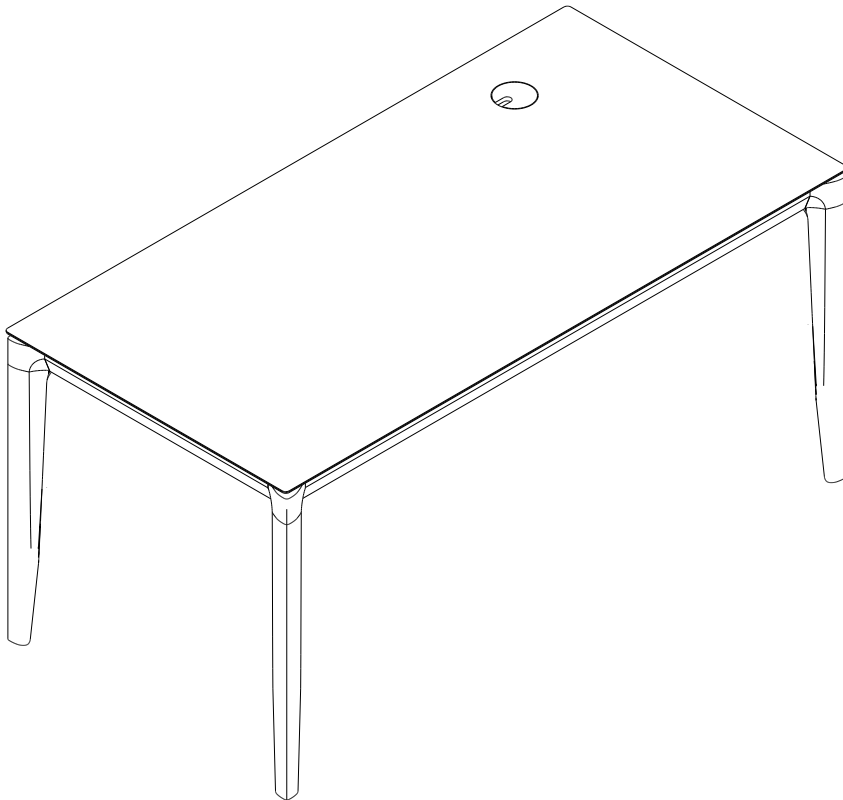
# Ethnicraft

## ASSEMBLY INSTRUCTIONS FOR DESK INSTALLATION

---

### OAK BOK DESK - WITH CABLE GROMMET

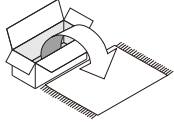
CODE	DESCRIPTION
51575	OAK BOK DESK - WITH CABLE GROMMET - VARNISHED 140/70/76
51576	OAK BOK DESK - WITH CABLE GROMMET - VARNISHED 160/80/76



## OAK BOK DESK - WITH CABLE GROMMET ASSEMBLY INSTRUCTIONS FOR DINING TABLE INSTALLATION



### NOTE



- CAREFULLY OPEN THE CARTON,
- REMOVE CONTENTS AND LAY OUT ON CARPET OR THE PACKAGING CARTON BOX OR OTHER PROTECTIVE SURFACE TO AVOID DAMAGE.
- CHECK PACKAGE CONTENTS TO ASSURE ALL THE NECESSARY HARDWARE AND PARTS ARE RECEIVED UNDAMAGED.
- DO NOT USE DAMAGE OR DEFECTIVE PARTS/HARDWARE.
- CONTACT ETHNICRAFT FOR ANY MISSING PART AND /OR HARDWARE.

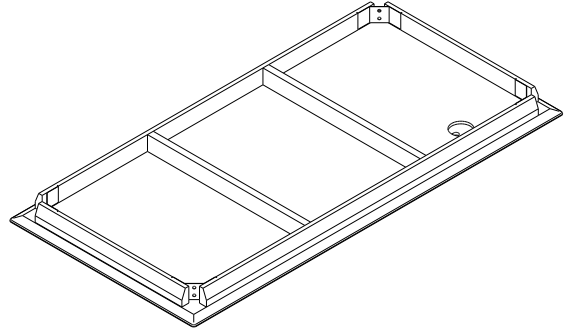


- READ THE ASSEMBLY INSTRUCTION BEFORE INSTALLATION AND CAREFULLY FOLLOW THE INSTRUCTION GIVEN.
- SEEK THE ADVICE OF A PROFESSIONAL IF YOU ARE NOT FAMILIAR WITH THESE INSTALLATIONS OR HAVE ANY DOUBTS ABOUT THE SAFETY OF THIS INSTALLATION.



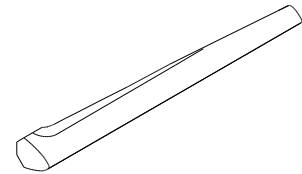
- IT IS ADVISABLE TO DO THIS ASSEMBLY WITH MINIMUM OF 2 PERSONS.

### PARTS TO ASSEMBLE



#### A TABLE TOP 1piece

CODE	DESCRIPTION
P4958	TABLE TOP 140x70
P4959	TABLE TOP 160x80



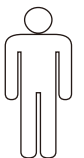
#### B LEG 4 pieces

CODE	DESCRIPTION
P4678	LEG WITH APRON HEIGHT 6.3CM

### SYMBOLS

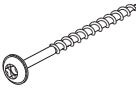



DIRECTION




NUMBER OF PERSONS NEEDED

### HARDWARE ENCLOSED

 H0689 SPAX SCREW M6x80 (8pcs)	 H0383 WASHER M8 (8pcs)
--	--

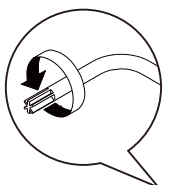
### TOOL

(Included in packaged)

 H0893 TORX KEY (1pc)
---

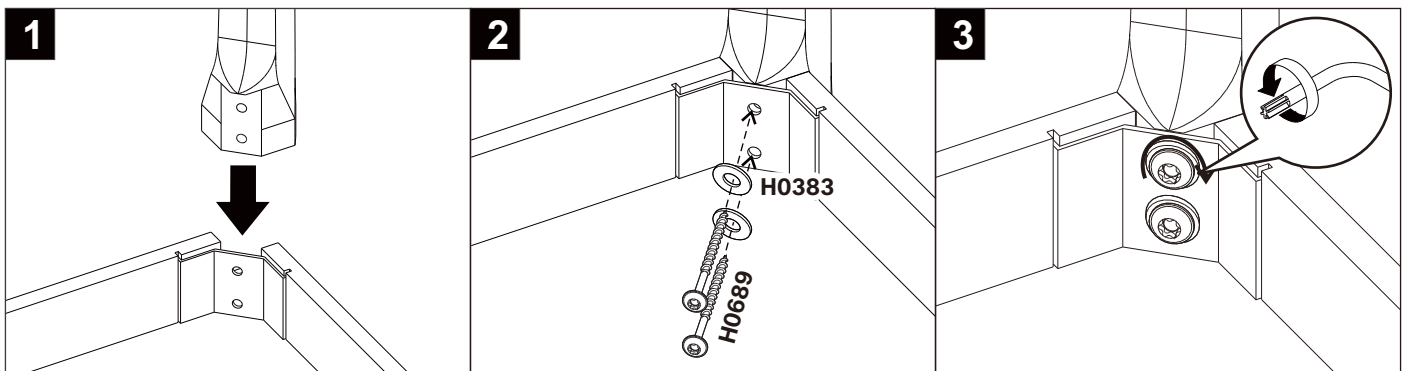
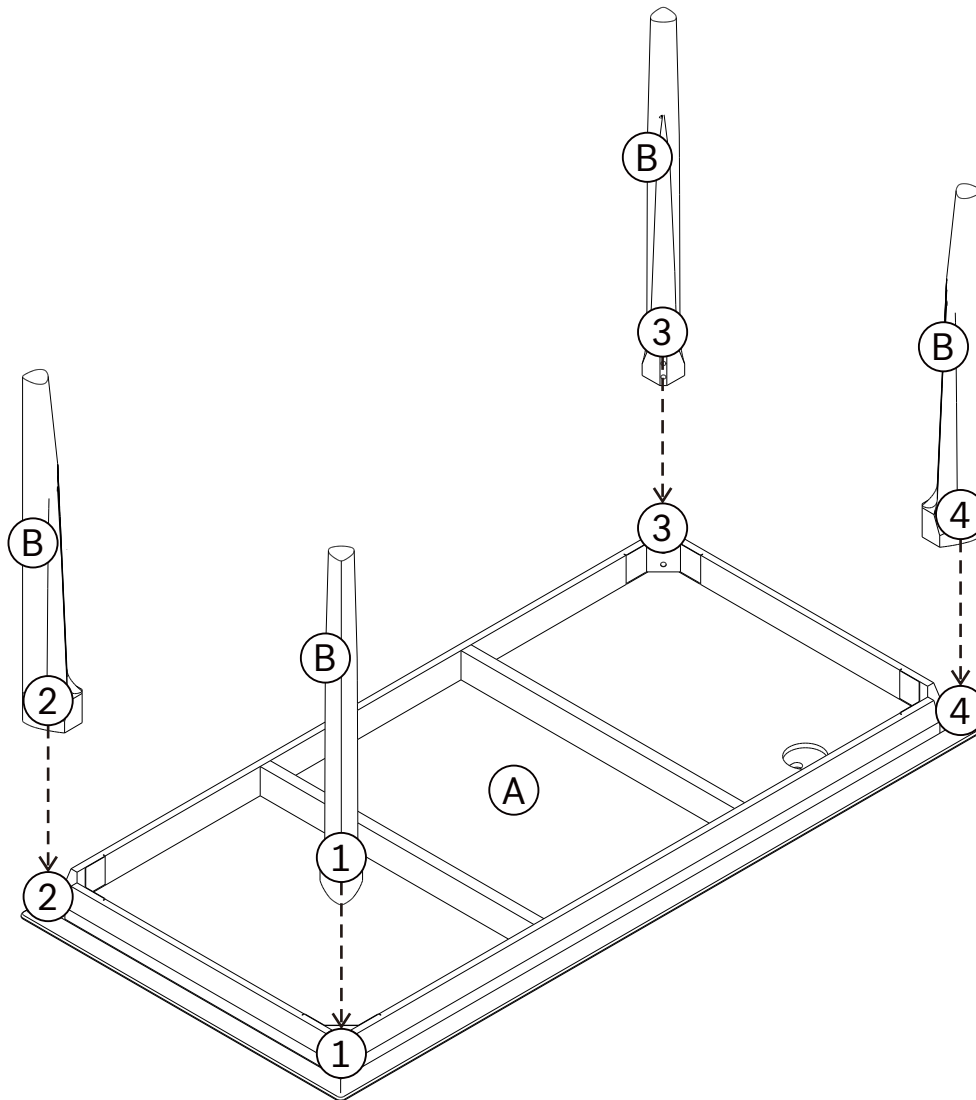


USE HAND



USE TORX KEY TO TIGHTEN

## CONNECTING THE LEGS AND THE TABLE TOP



- ! - REPEAT STEP 1 TO STEP 3 FOR OTHER LEGS
- ! - NOT TOO TIGHT (TO BE RE-TIGHTENED AFTER 15 DAYS)