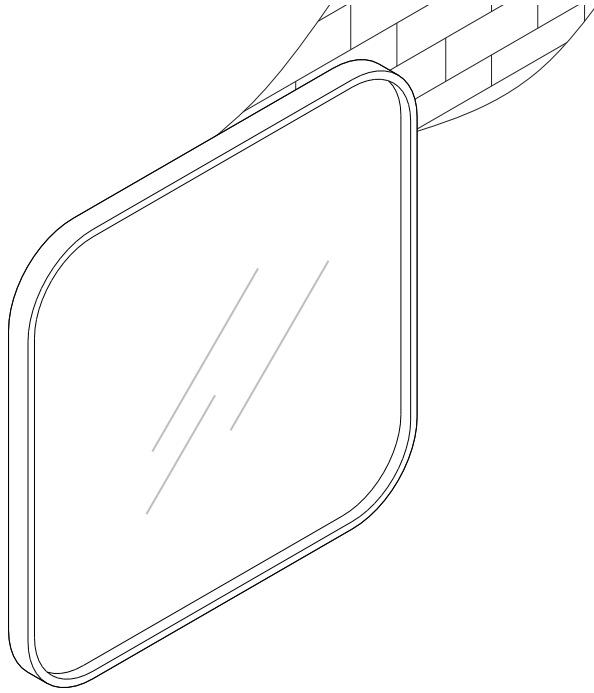
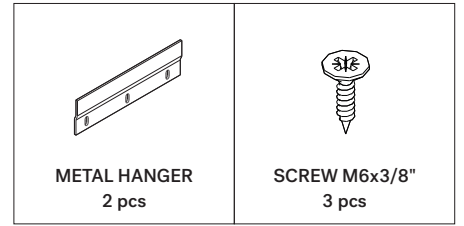


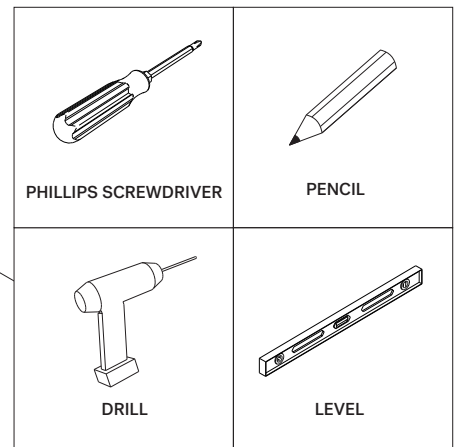
CAMBER WALL MIRROR - WOODEN FRAME - SMALL ASSEMBLY INSTRUCTIONS FOR WALL MIRROR INSTALLATION



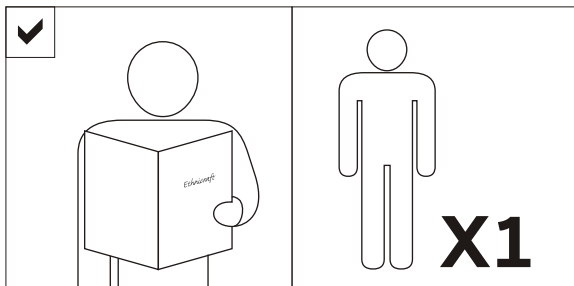
HARDWARE ENCLOSED



TOOLS REQUIRED (Not included in package)



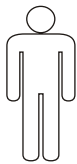
NOTICE



SYMBOLS



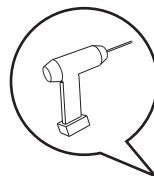
DIRECTION



NUMBER OF
PERSON NEEDED



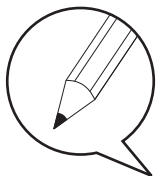
USE HAND



USE DRILL



USE PHILLIPS SCREWDRIVER
TO TIGHTEN

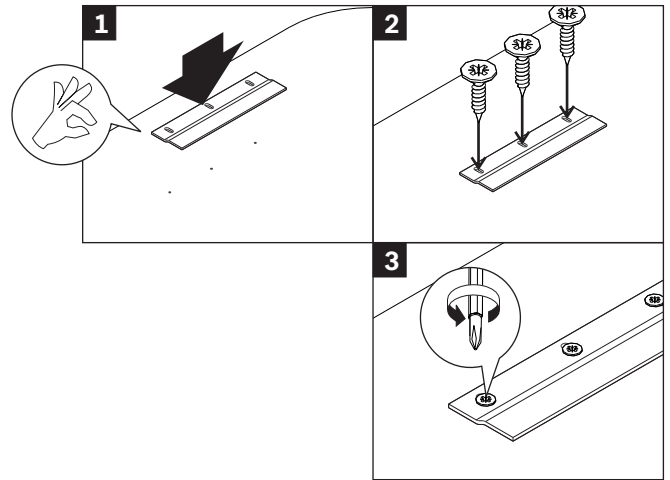
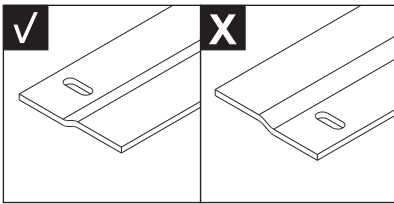
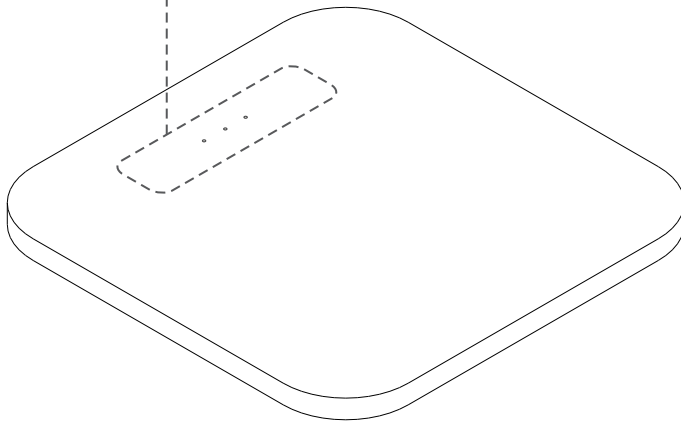


USE PENCIL

CAMBER WALL MIRROR - WOODEN FRAME - SMALL ASSEMBLY INSTRUCTIONS FOR WALL MIRROR INSTALLATION

1 INSTALLING METAL HANGER TO THE MIRROR

PRE-DRILLED HOLES FOR SCREWS

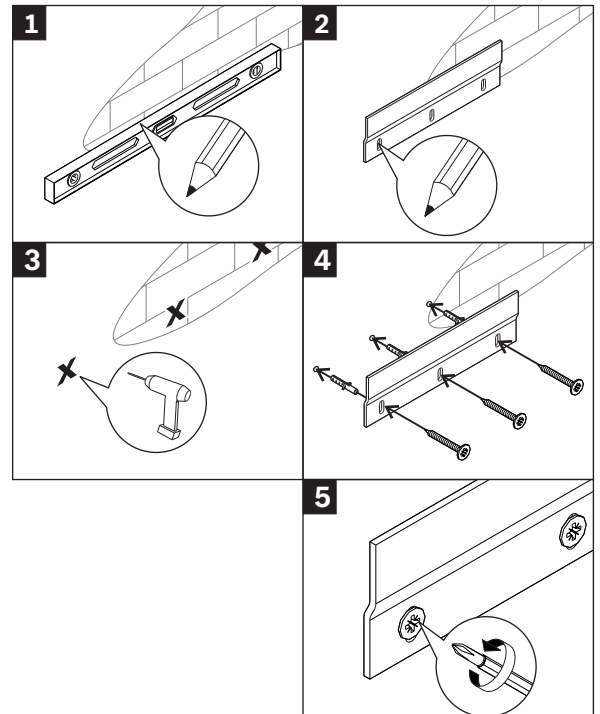
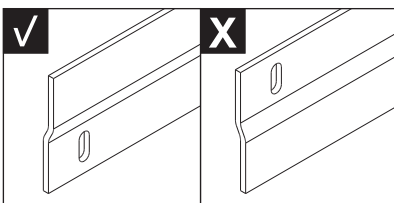
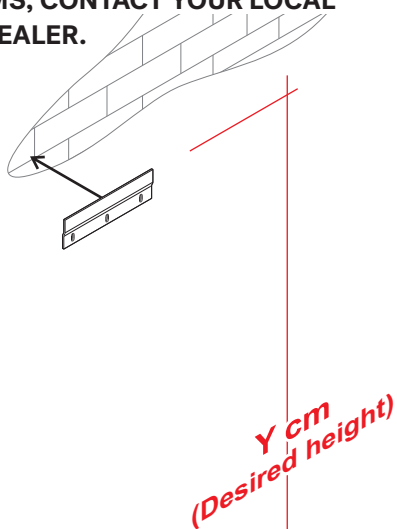


TIGHTEN ALL SCREWS FULLY

2 INSTALLING METAL HANGER TO THE WALL



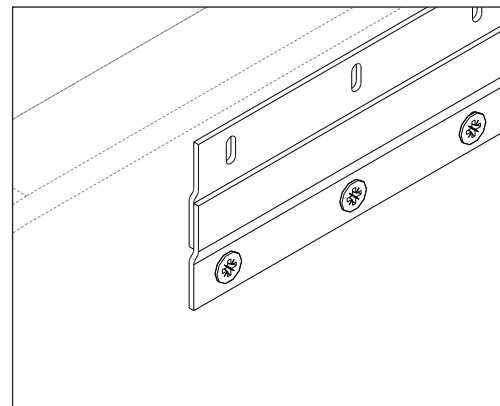
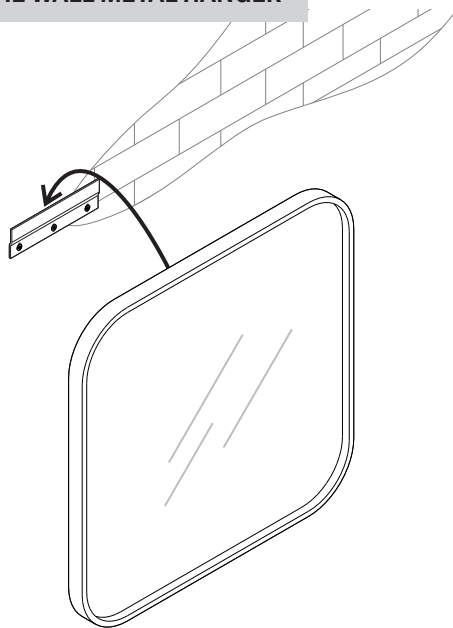
AS WALL MATERIALS VARY, SCREWS FOR FIXING TO WALL ARE NOT INCLUDED. FOR ADVICE ON SUITABLE SCREW SYSTEMS, CONTACT YOUR LOCAL SPECIALISED DEALER.



**- ILLUSTRATION DEMONSTRATES WITH BRICK WALL
- TIGHTEN ALL SCREWS FULLY**

CAMBER WALL MIRROR - WOODEN FRAME - SMALL ASSEMBLY INSTRUCTIONS FOR WALL MIRROR INSTALLATION

3 FITTING MIRROR TO THE WALL METAL HANGER



4 FINISH

