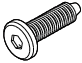


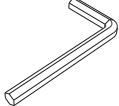
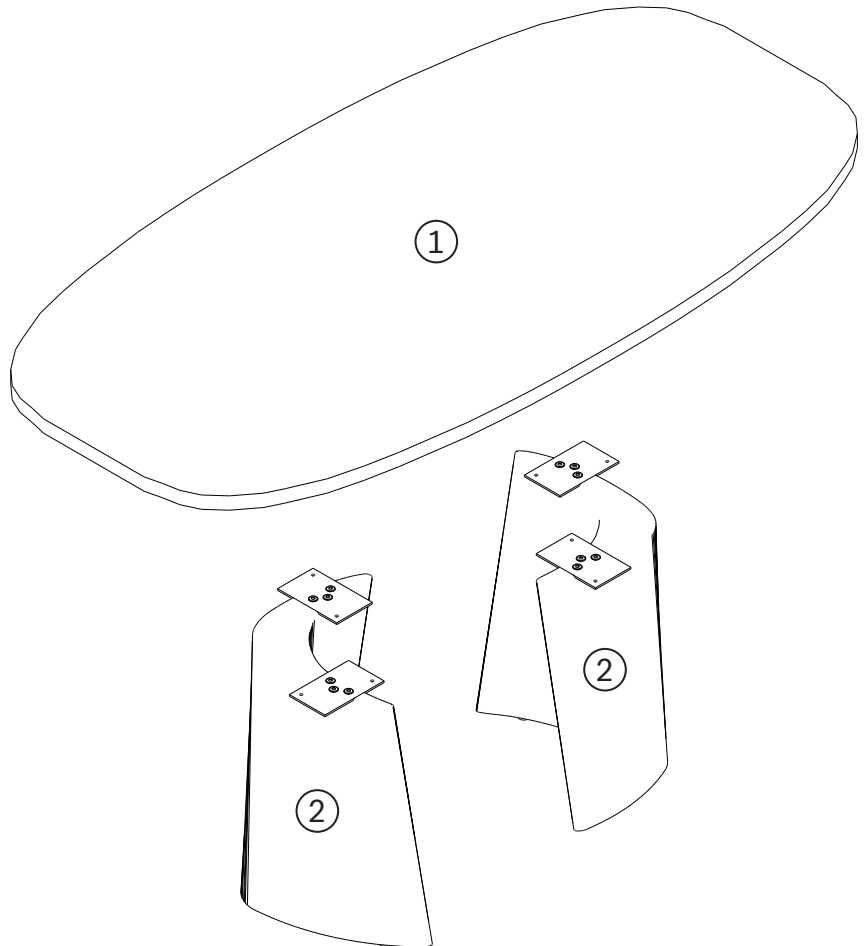
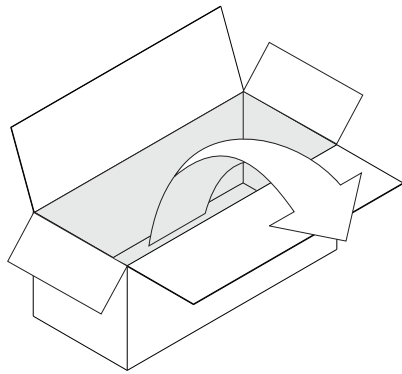


CANYON OUTDOOR DINING TABLE - OVAL ASSEMBLY INSTRUCTIONS FOR DINING TABLE INSTALLATION



HARDWARE & TOOL ENCLOSED

 JCBC SCREW M6x20 (8pcs)	 WASHER M6x18 (8pcs)	 SPRING WASHER M6 (8pcs)	 ALLEN KEY
---	---	---	---



IN YOUR PACKAGE :

ASSEMBLY INSTRUCTIONS
HARDWARE (AS LISTED ABOVE)

PARTS TO BE INSTALLED

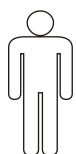
1. TABLE TOP (1 pc)
2. LEGS (2 pcs)

! LEGS ARE INTERCHANGEABLE

SYMBOLS



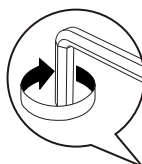
DIRECTION



NUMBER OF PERSONS NEEDED


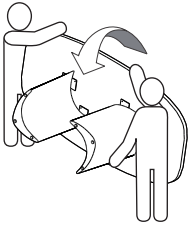
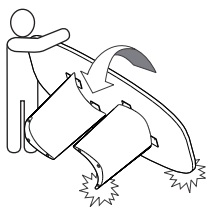
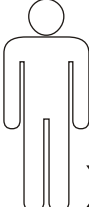


USE HAND



USE ALLEN KEY TO TIGHTEN

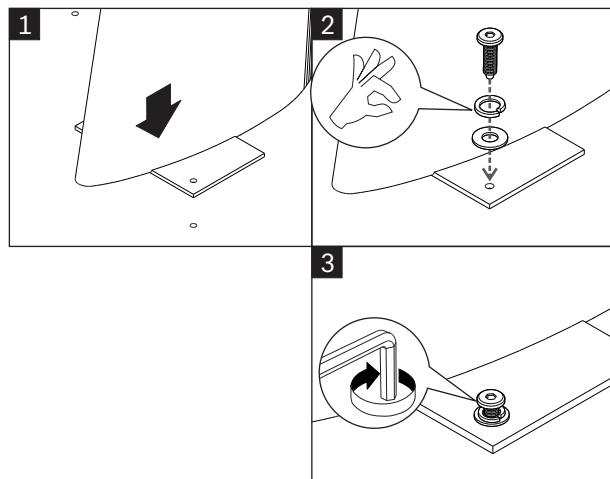
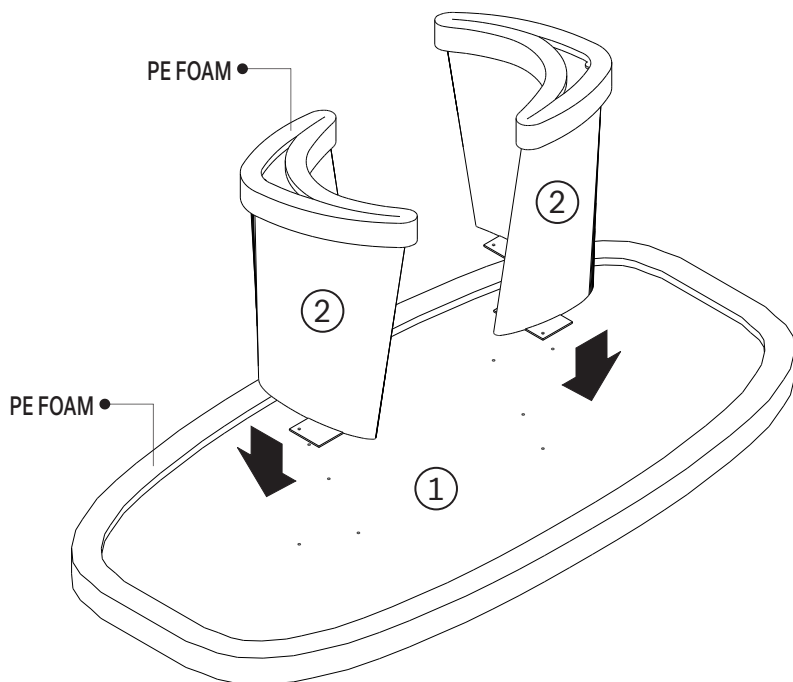
NOTICE

<input checked="" type="checkbox"/> 	<input checked="" type="checkbox"/> 
<input checked="" type="checkbox"/> 	<input checked="" type="checkbox"/> 

CANYON OUTDOOR DINING TABLE - OVAL ASSEMBLY INSTRUCTIONS FOR DINING TABLE INSTALLATION



A ATTACHING LEGS TO TABLE TOP

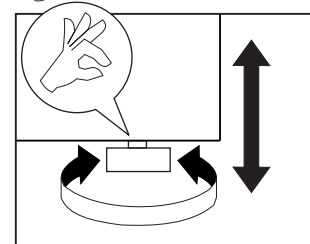
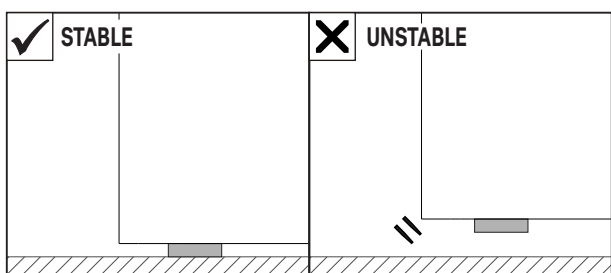
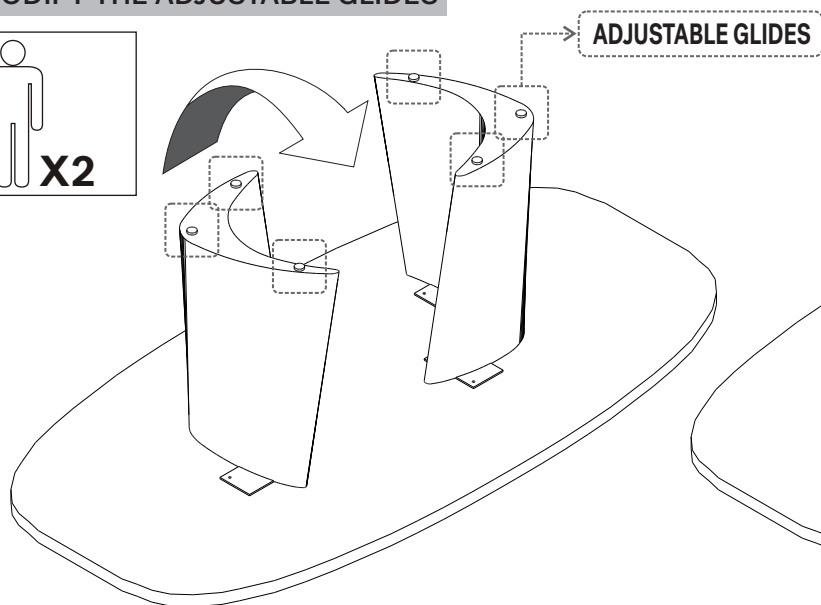
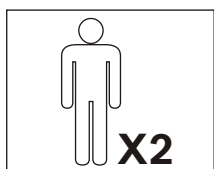


- USE JCBC SCREW M6x20 (8X)
- USE SPRING WASHER M6 (8X)
- USE WASHER M6x18 (8X)
- TIGHTEN FULLY



- TO PREVENT DAMAGE, REMOVE CONTENTS AND LAY OUT ON CARPET, THE PACKAGING CARTON OR OTHER PROTECTIVE SURFACE.
- KEEP PE FOAM IN PLACE DURING ASSEMBLY TO PROTECT EDGES FROM DAMAGE. IT CAN BE RECYCLED AFTERWARD.

B MODIFY THE ADJUSTABLE GLIDES



NOTE :
TO ENSURE STABILITY, ADJUST GLIDES TO ENSURE EVEN CONTACT WITH THE SURFACE UNDERFOOT.