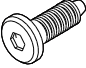


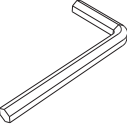
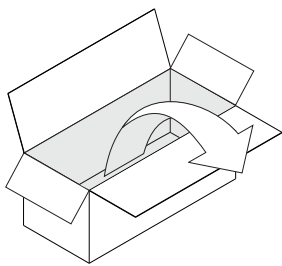


MAHOGANY FLOW CONSOLE ASSEMBLY INSTRUCTIONS FOR CONSOLE INSTALLATION



HARDWARE & TOOL ENCLOSED

 JCBC SCREW M6x20 (6pcs)	 WASHER M6x18 (6pcs)	 SPRING WASHER M6x15 (6pcs)	 ALLEN KEY
---------------------------------------------------------------------------------------------------------------------------	-----------------------------------------------------------------------------------------------------------------------	------------------------------------------------------------------------------------------------------------------------------	-------------------------------------------------------------------------------------------------------

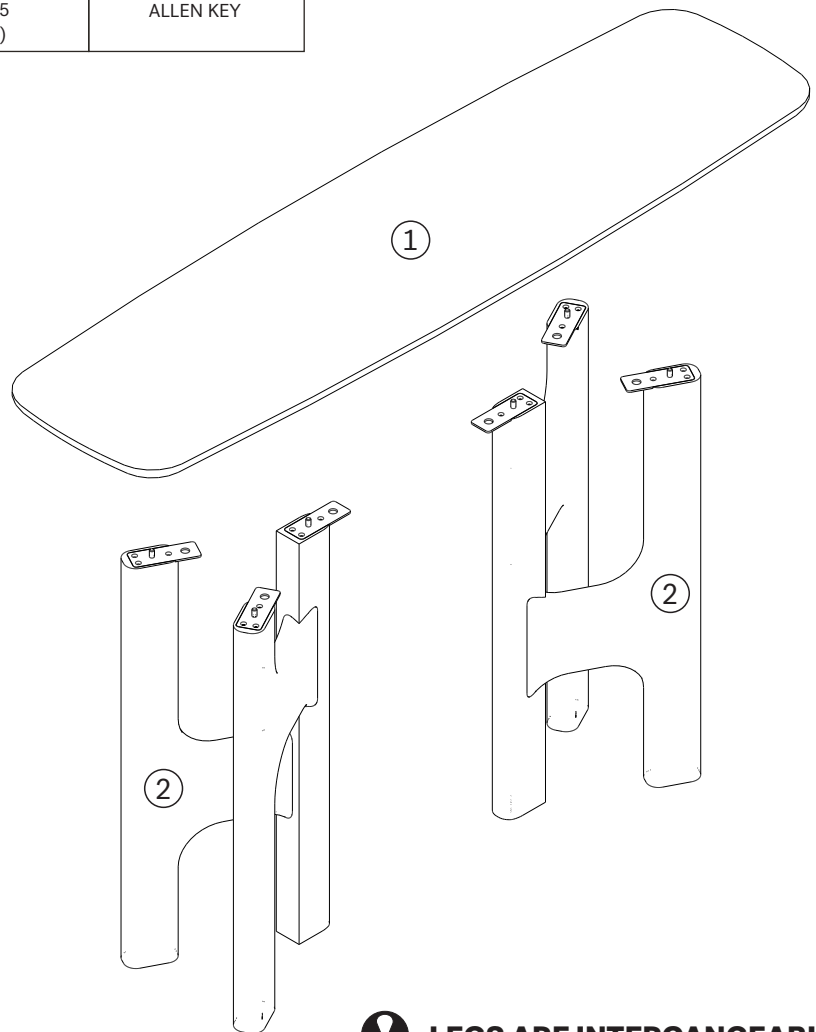


IN YOUR PACKAGE :

ASSEMBLY INSTRUCTIONS
HARDWARE (AS LISTED ABOVE)

PARTS TO BE INSTALLED

1. TOP PANEL (1 pc)
2. LEGS (2 pcs)

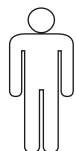


! LEGS ARE INTERCHANGEABLE

SYMBOLS



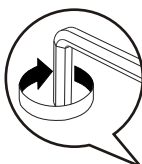
DIRECTION



NUMBER OF
PERSONS NEEDED


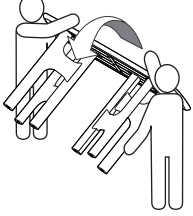
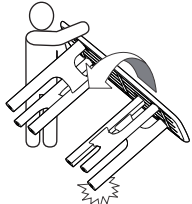
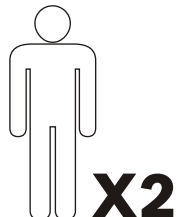


USE HAND



USE ALLEN KEY
TO TIGHTEN

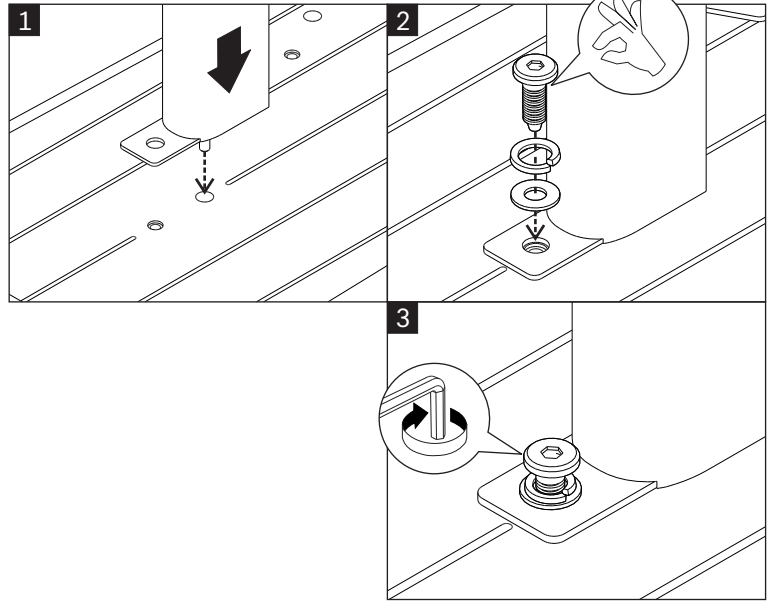
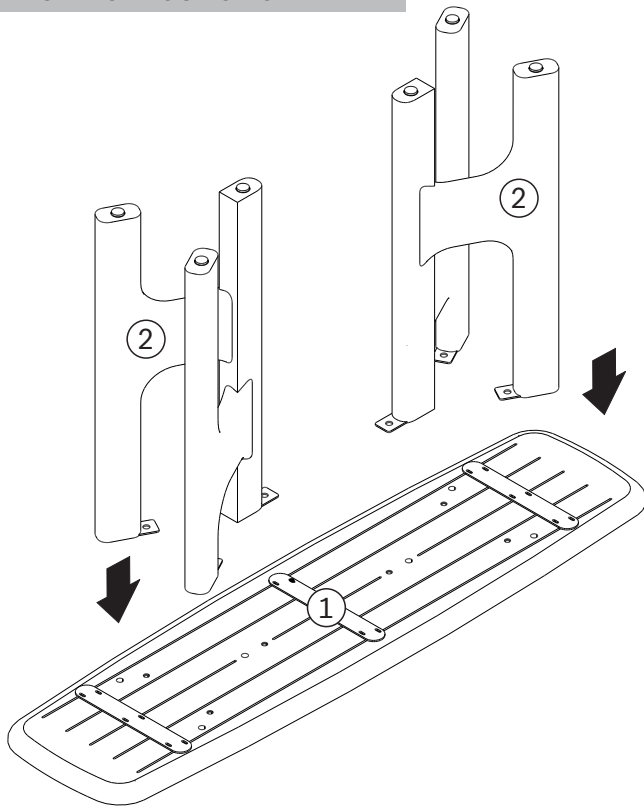
NOTICE

<p>✓</p> 	<p>✓</p> 
<p>X</p> 	<p>✓</p>  <p>X2</p>

MAHOGANY FLOW CONSOLE ASSEMBLY INSTRUCTIONS FOR CONSOLE INSTALLATION



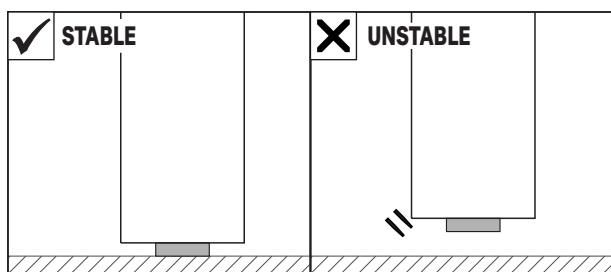
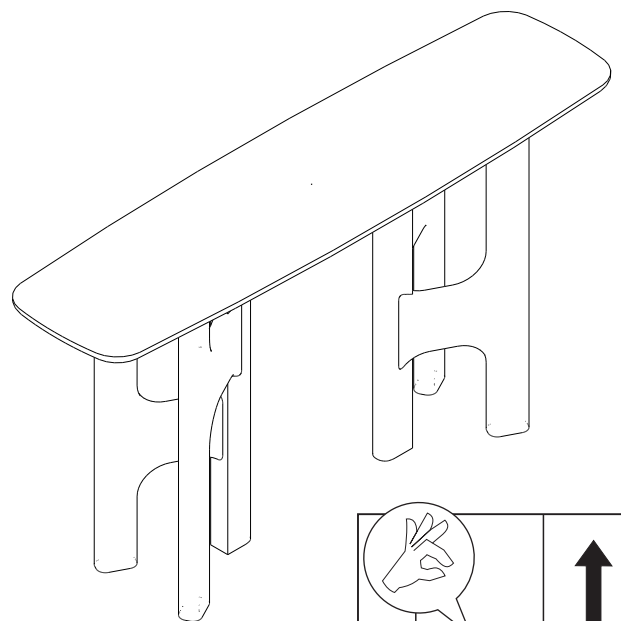
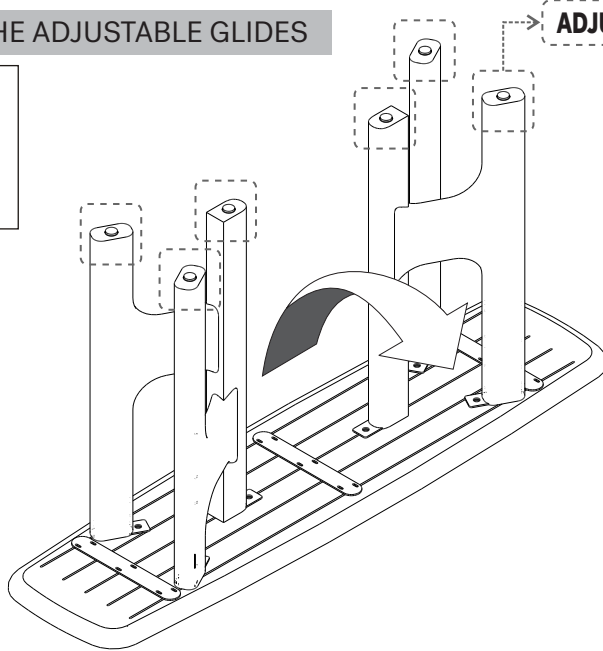
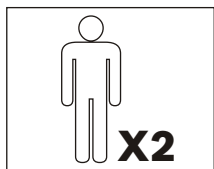
A ATTACHING LEGS TO TOP PANEL



- USE SPRING WASHER M6x15 (6X)
- USE WASHER M6x18 (6X)
- USE JCBC SCREW M6x20 (6X)
- TIGHTEN FULLY

! REMOVE CONTENTS TO LAY OUT ON THE FLATTENED CARTON, CARPETED AREA OR ANOTHER PROTECTIVE SURFACE TO AVOID DAMAGE WHILE ASSEMBLING.

B MODIFY THE ADJUSTABLE GLIDES



NOTE:
TO ENSURE STABILITY, ALL GLIDES SHOULD BE ADJUSTED TO MAKE EVEN CONTACT WITH THE SURFACE UNDERFOOT.

