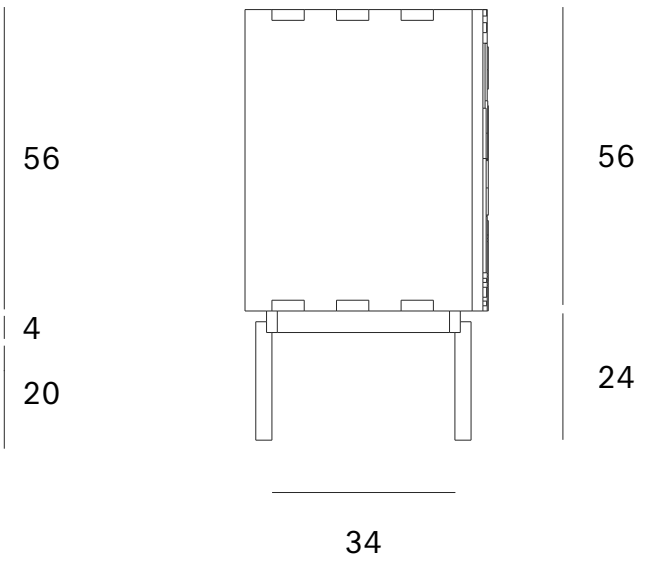
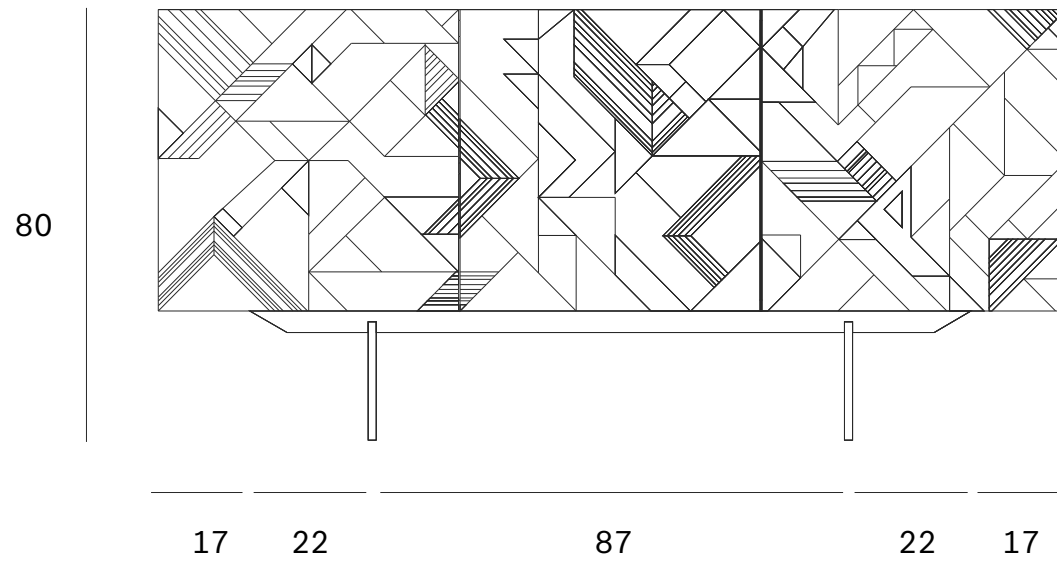
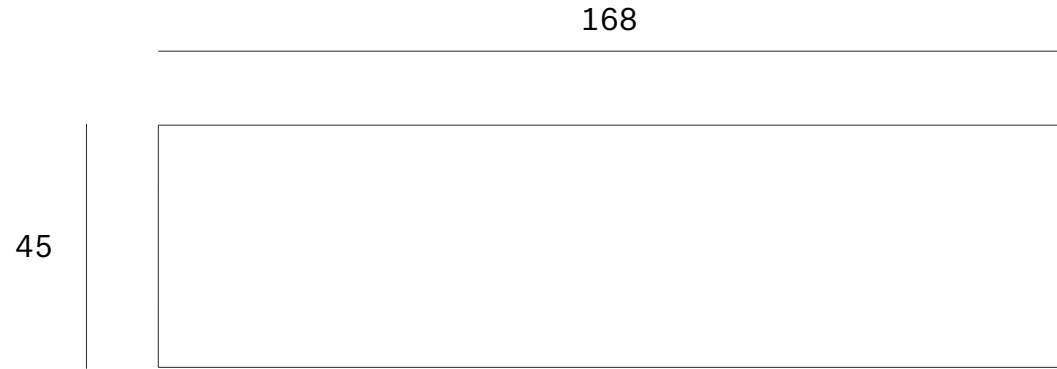


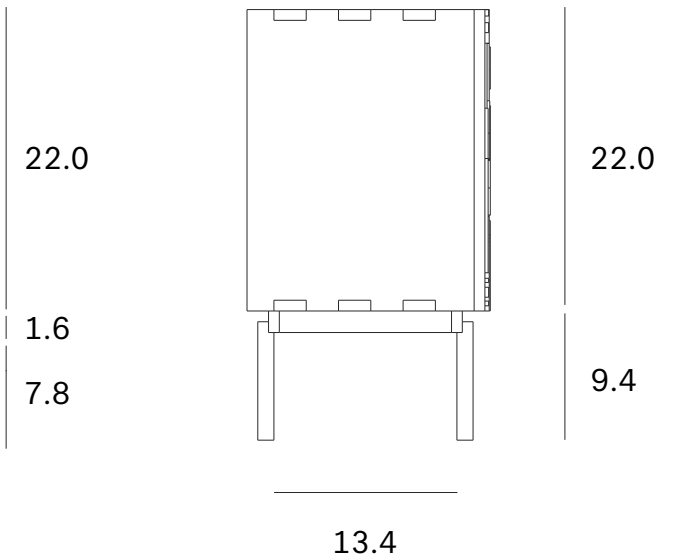
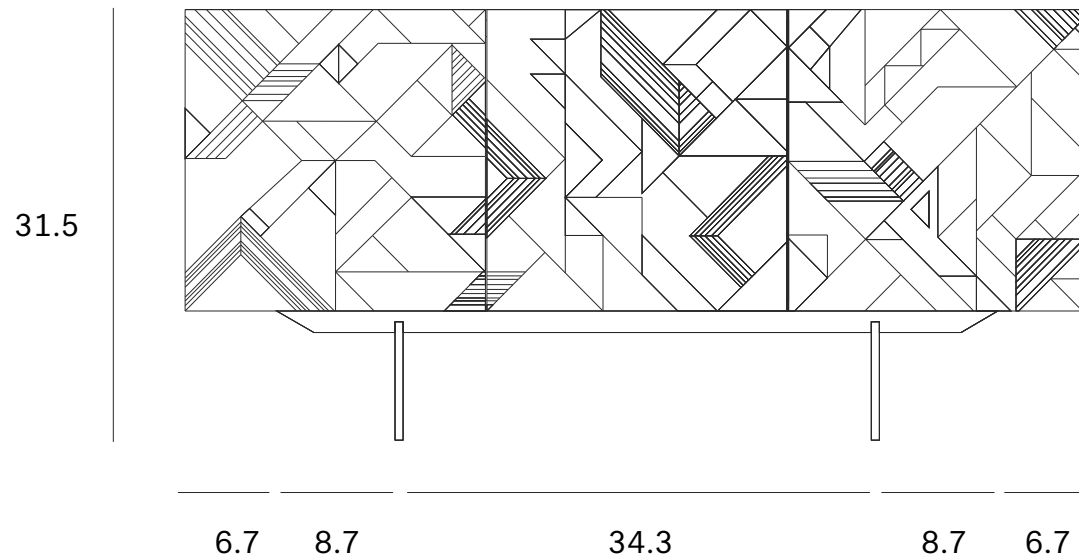
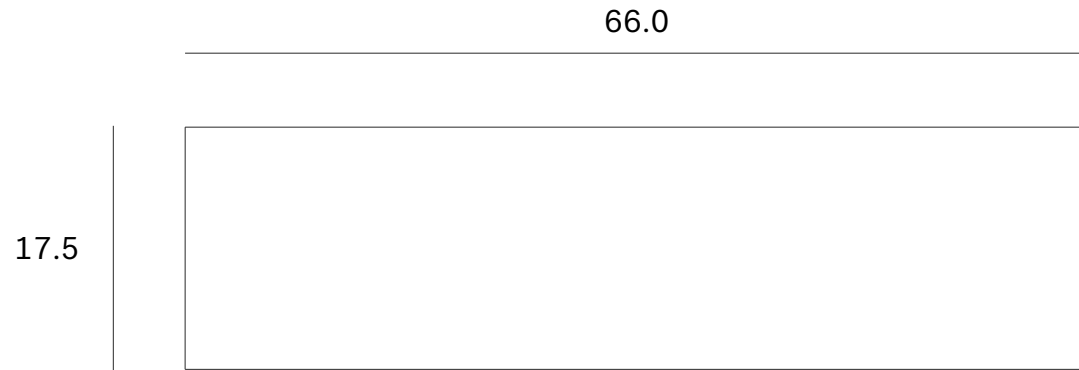
*Ethnicraft*

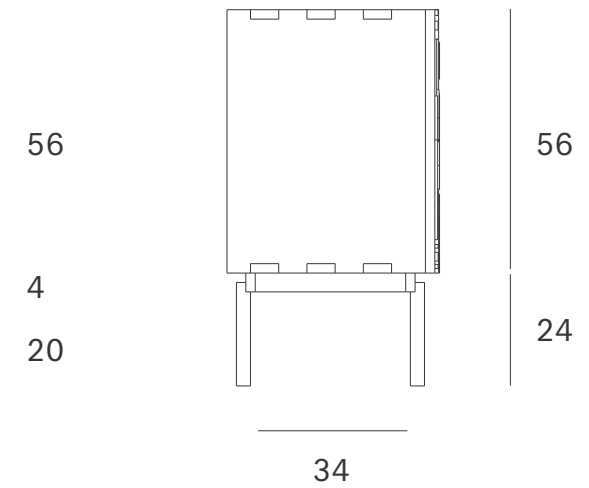
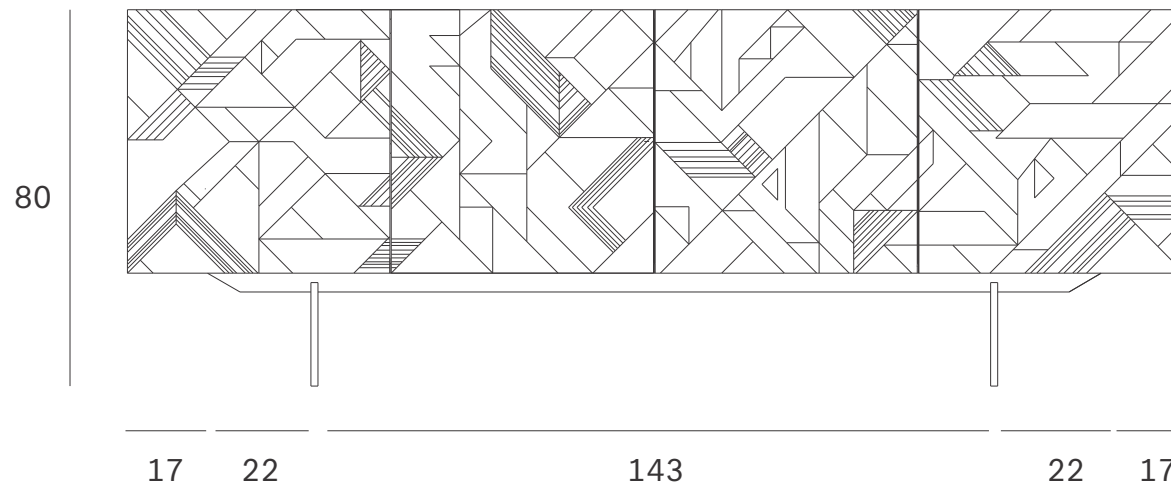
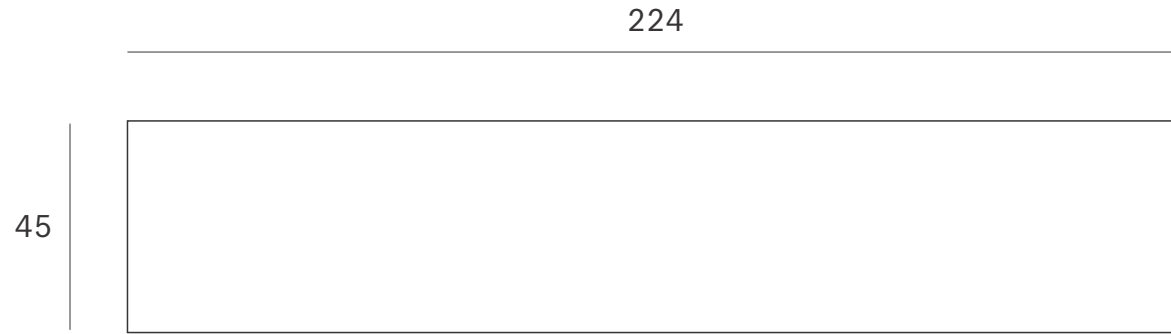
Graphic sideboard - Dimensions (cm)



*Ethnicraft*

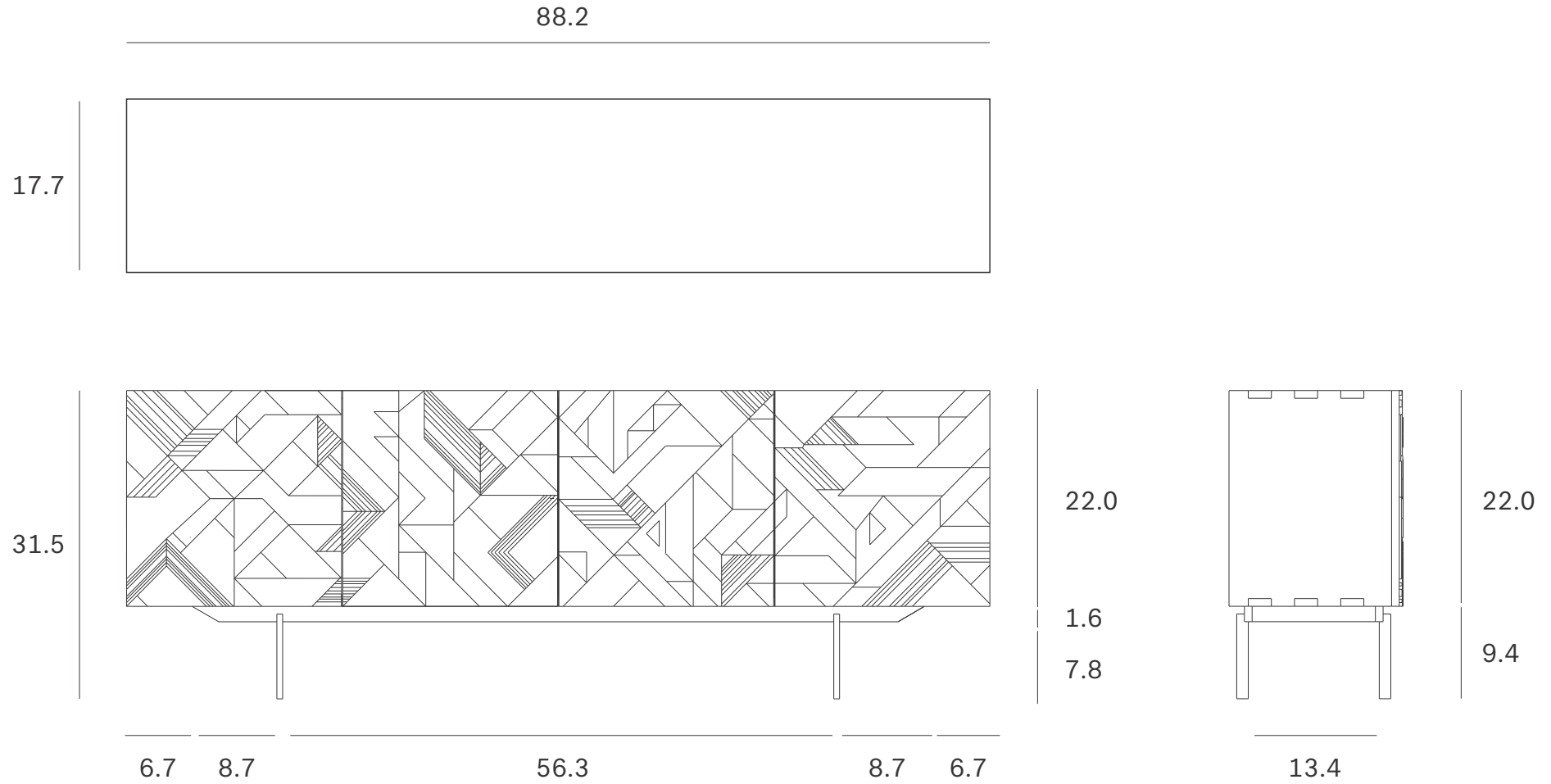
**Graphic sideboard - Dimensions (inches)**





*Ethnicraft*

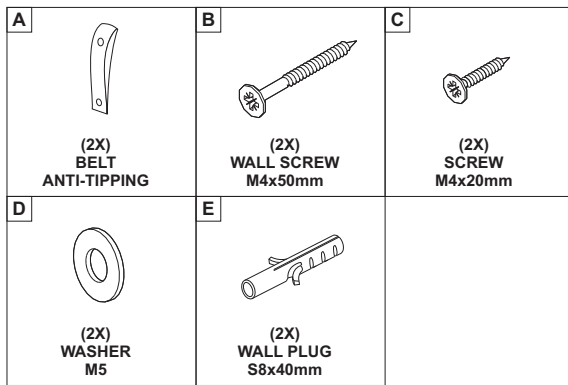
**Graphic sideboard - Dimensions (inches)**



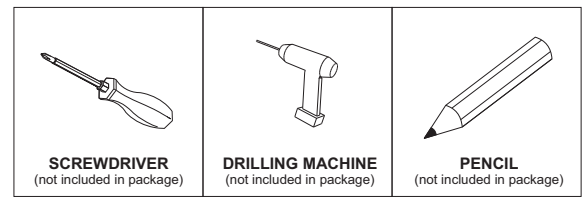
# Ethnicraft

## ASSEMBLY INSTRUCTION FOR ANTI-TIPPING INSTALLATION

### HARDWARE ENCLOSED



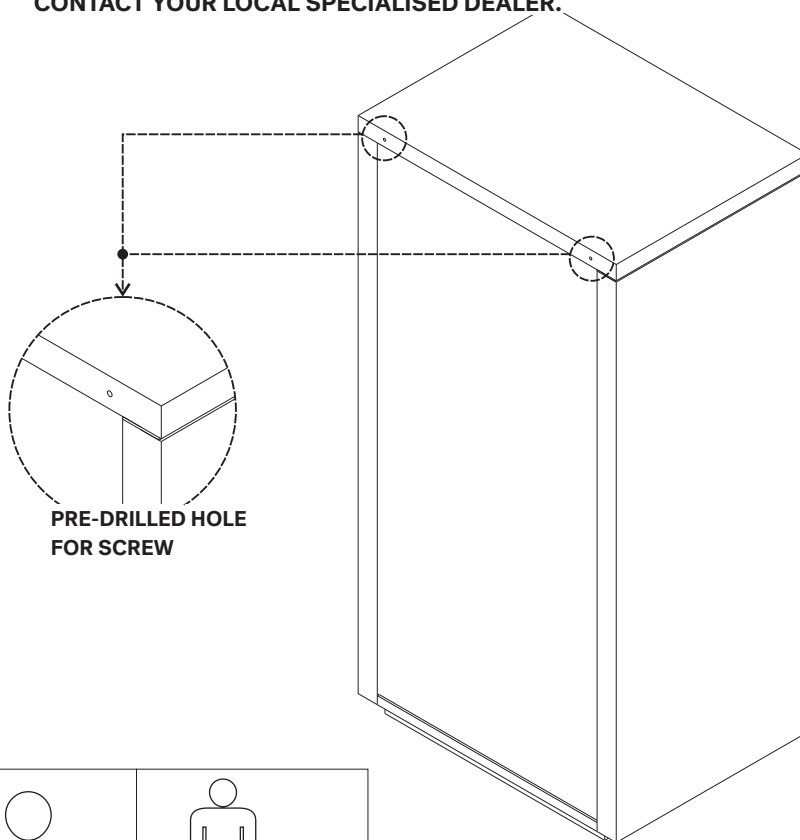
### TOOLS



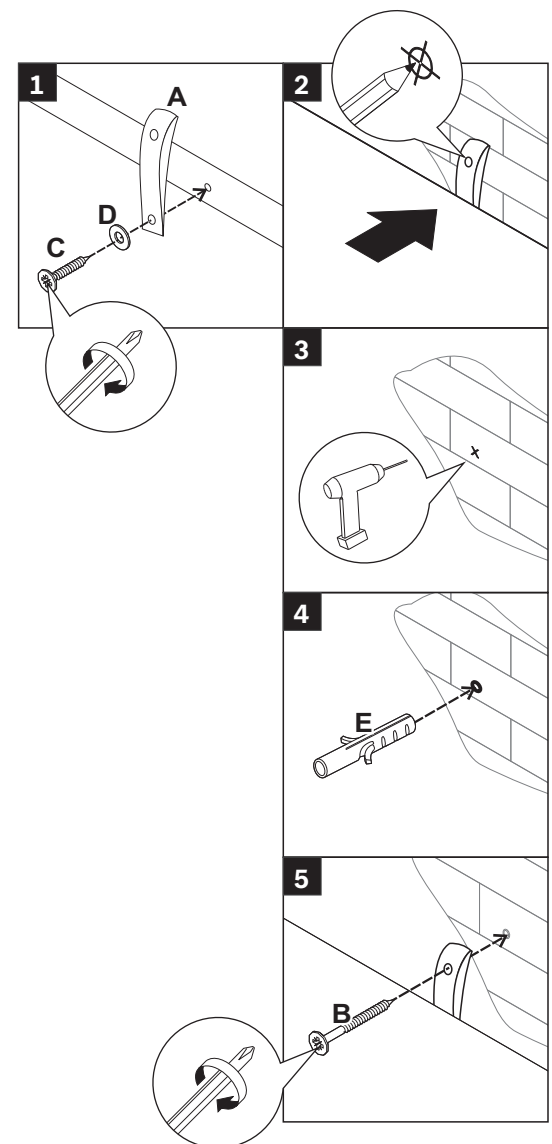
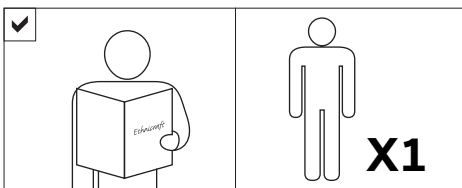
### INSTALLING ANTI-TIPPING SYSTEM



AS WALL MATERIALS VARY,  
THE SCREW INCLUDED ARE FOR BRICK WALL.  
FOR ADVICE ON SUITABLE SCREW SYSTEMS,  
CONTACT YOUR LOCAL SPECIALISED DEALER.



### NOTICE

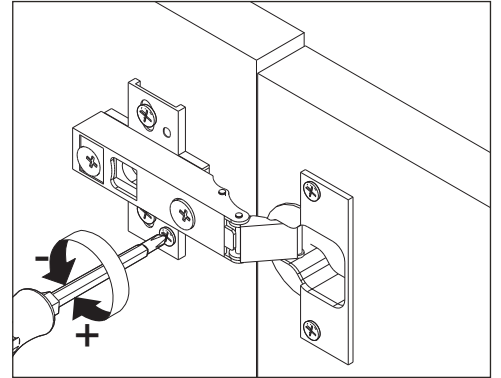
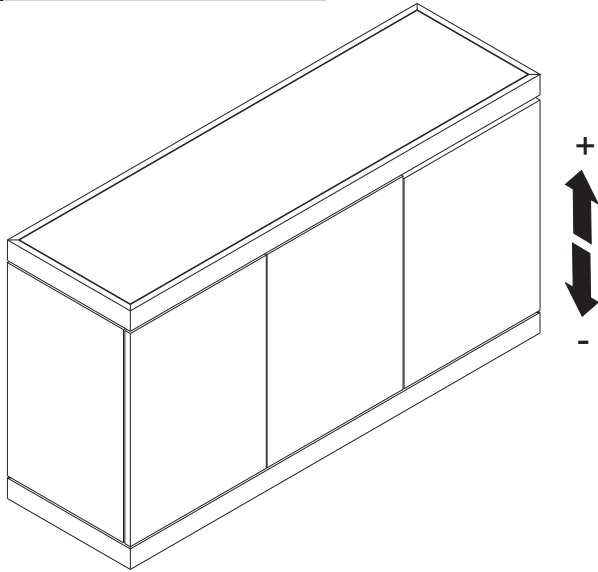


### INSTRUCTION

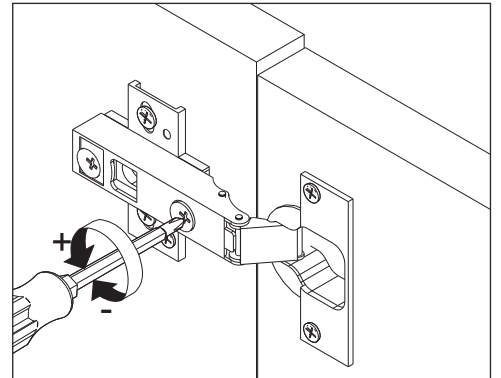
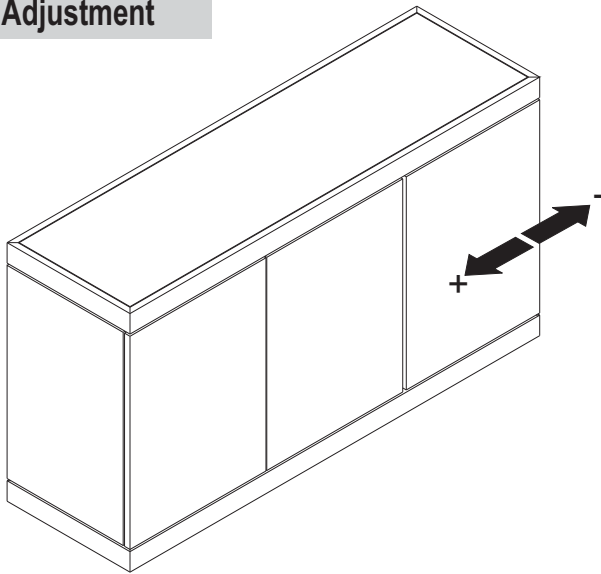
1. Install anti-tipping belt (A), washer (D) with M4x20mm screw (C) into the pre-drilled hole on the top back frame of the item.
2. Using a 1/4" diameter drill bit, drill the wall at the same level as the anti-tipping belt (A) on the item. Install the wall plug (E) into the hole.
3. Connect the anti-tipping belt (A) with wall screw (B) into the wall plug (E)

ASSEMBLY INSTRUCTION FOR HINGE ADJUSTMENT

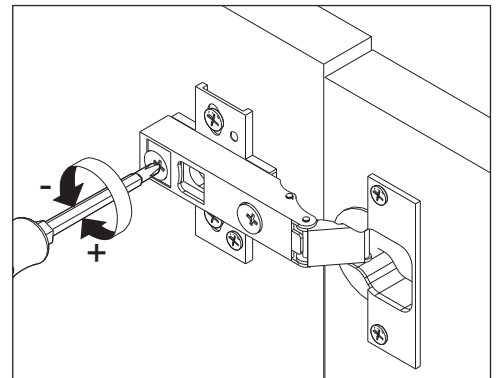
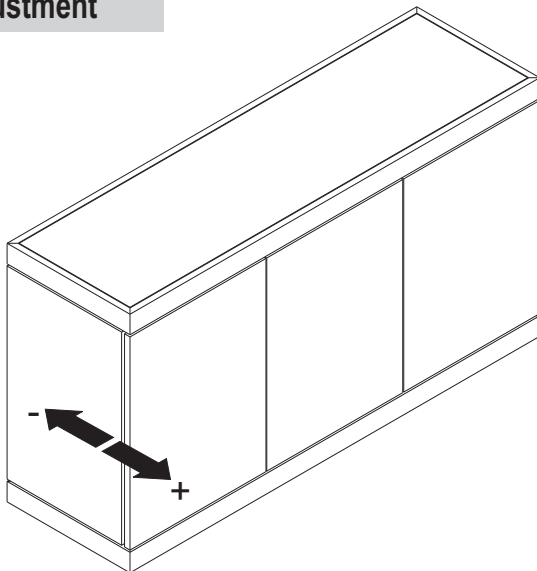
**A. Vertical Adjustment**



**B. Horizontal Adjustment**

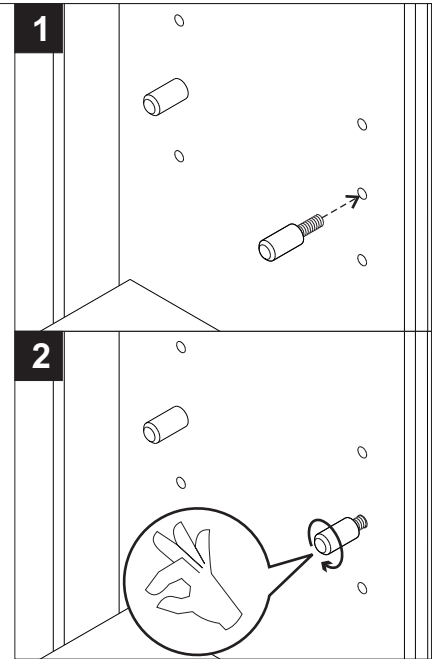
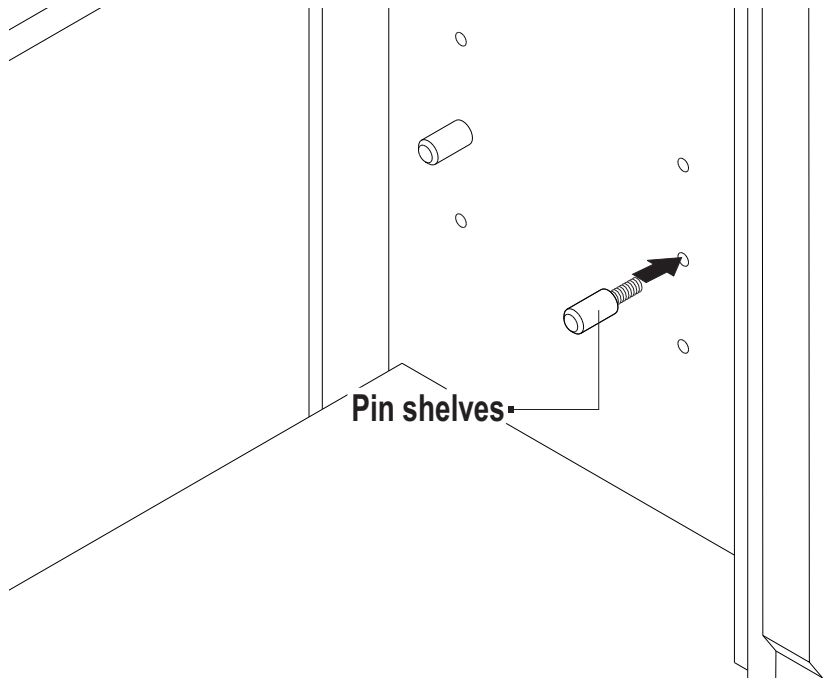


**C. Depth Adjustment**



ASSEMBLY INSTRUCTION FOR PIN SHELVES INSTALLATION

**A. Installing the Pin Shelves**



**Note :**  
Choose The Desired Shelf Height  
(Bottom, Middle or Top)

**B. Installing Shelves**

