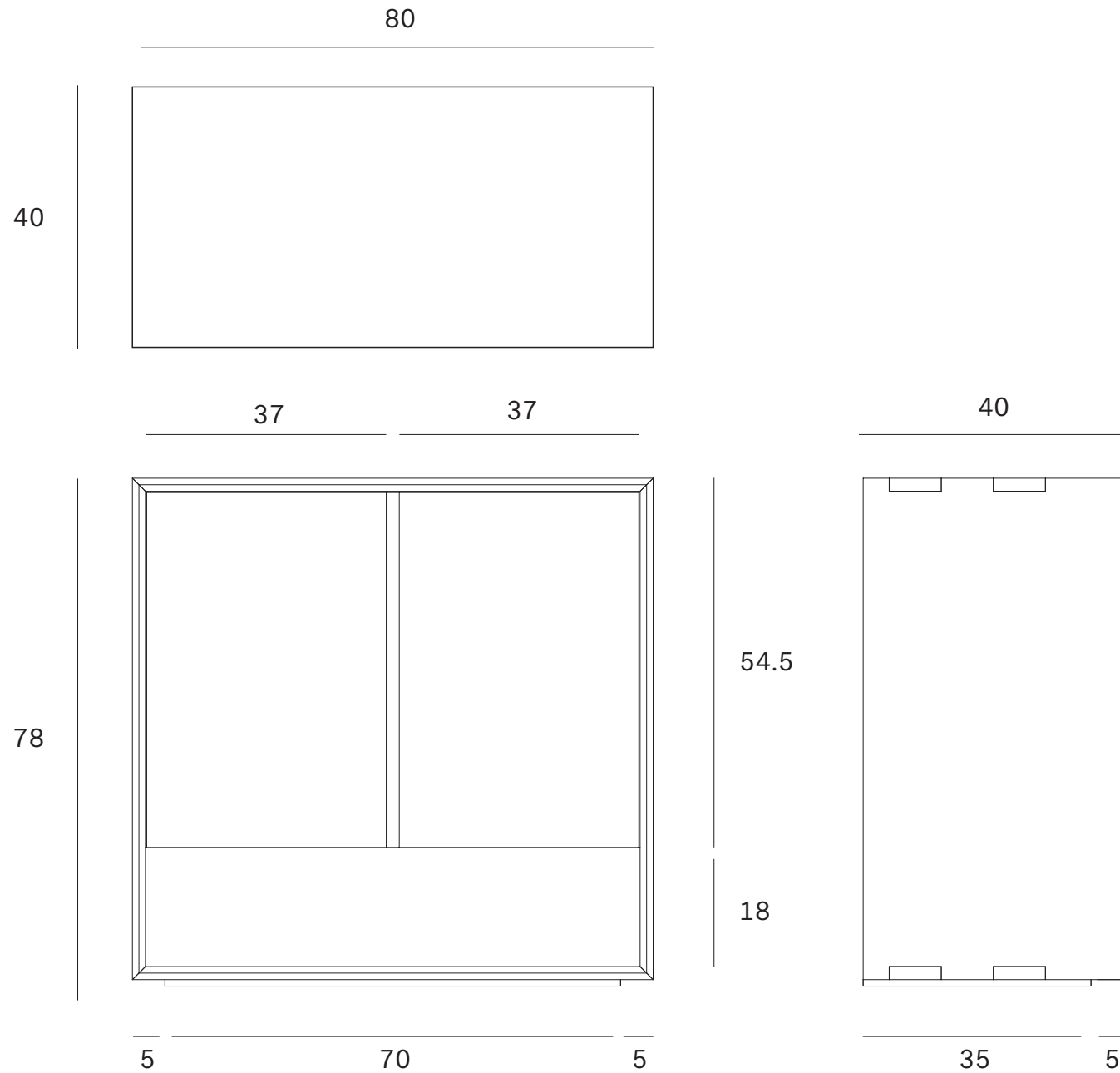


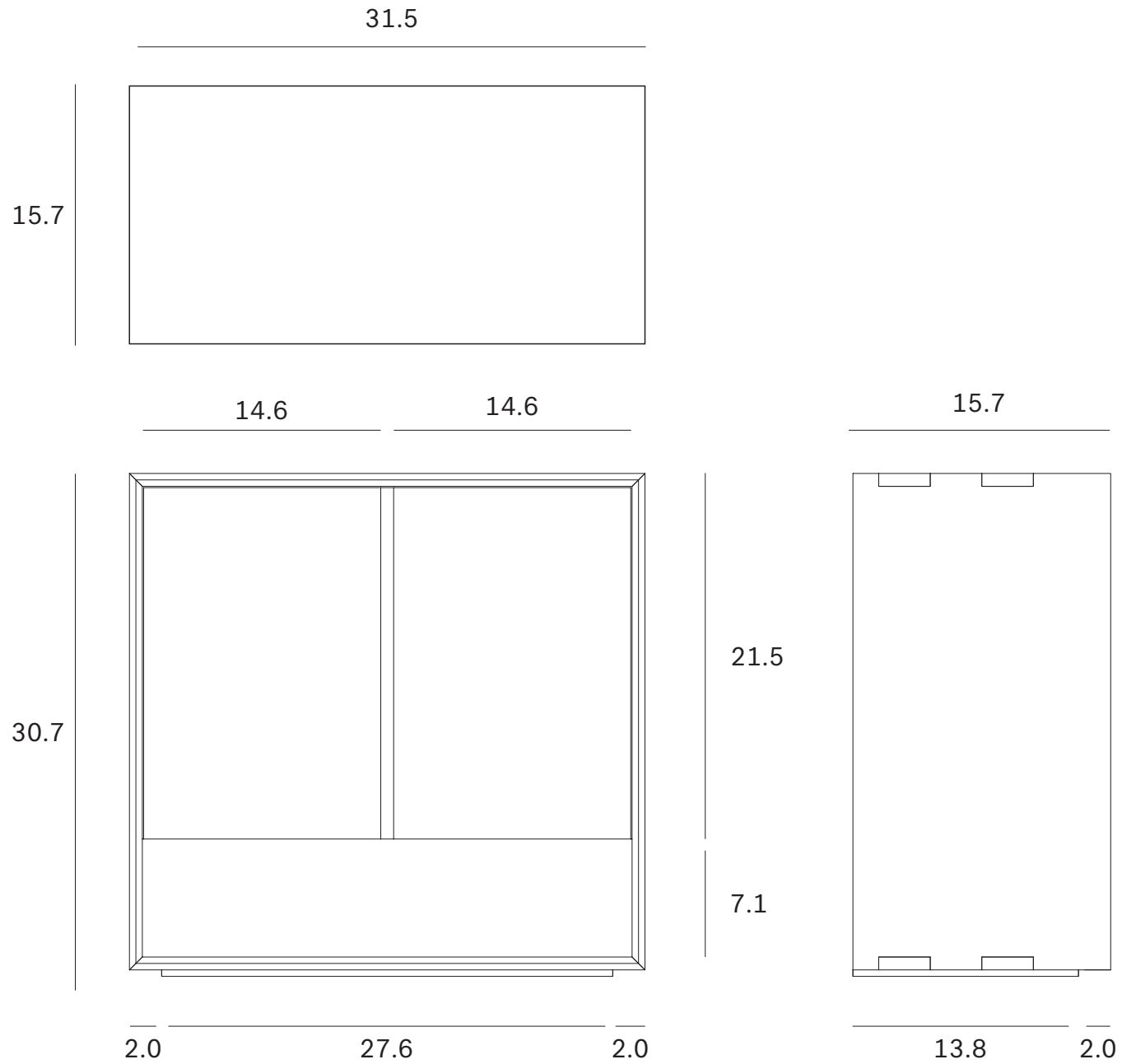
Ethnicraft

Nordic sideboard - Dimensions (cm)



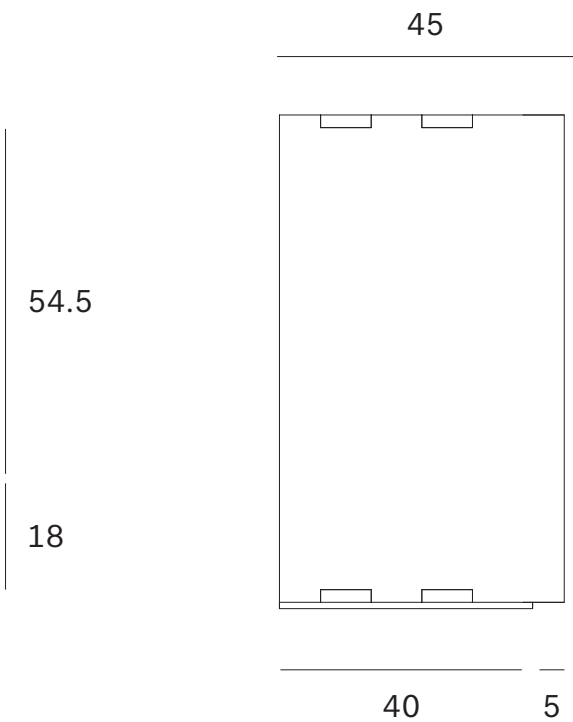
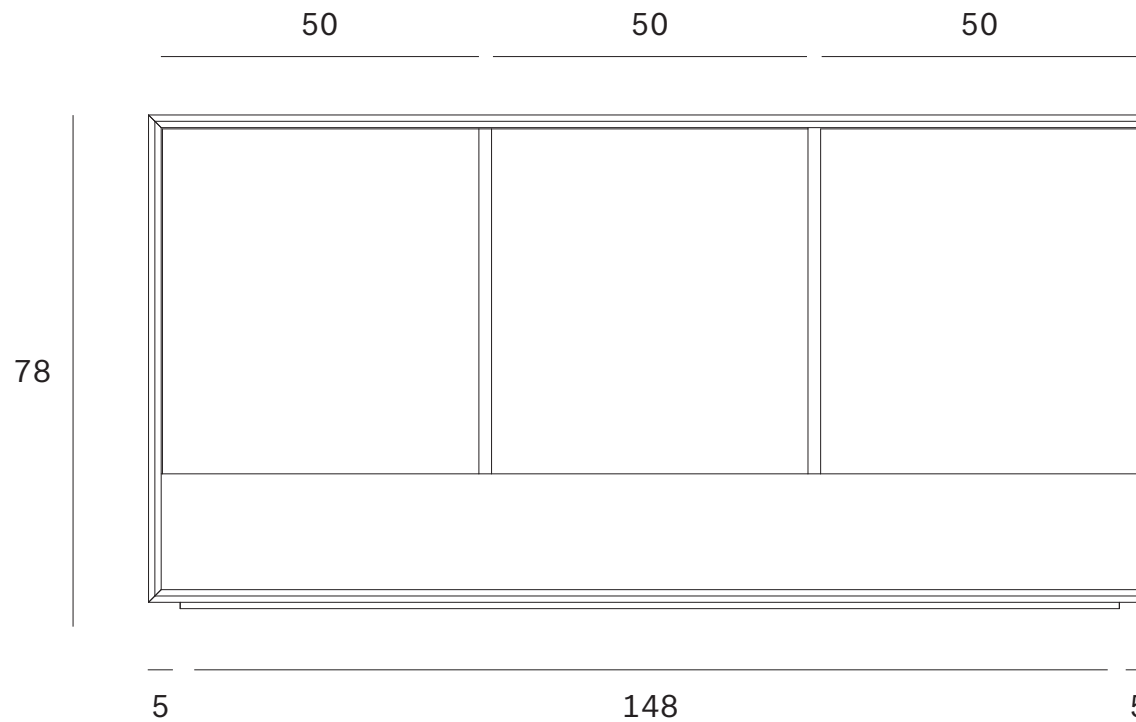
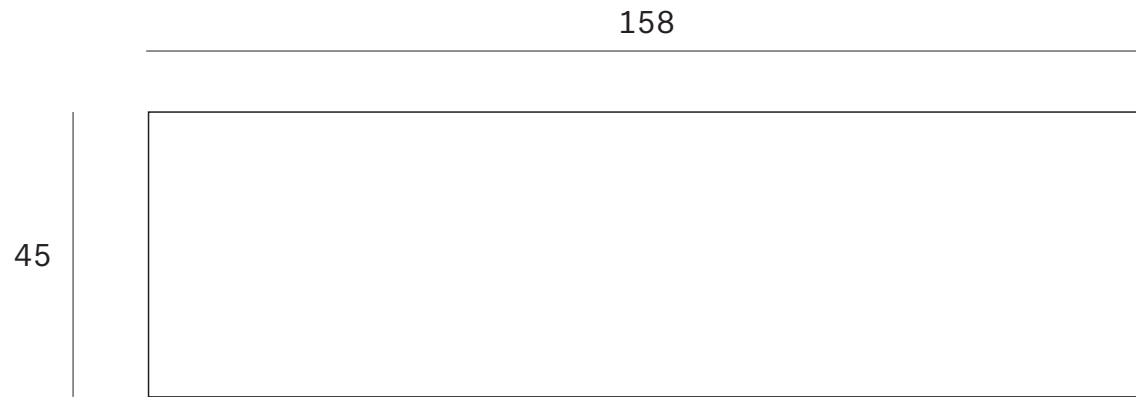
Ethnicraft

Nordic sideboard - Dimensions (inches)



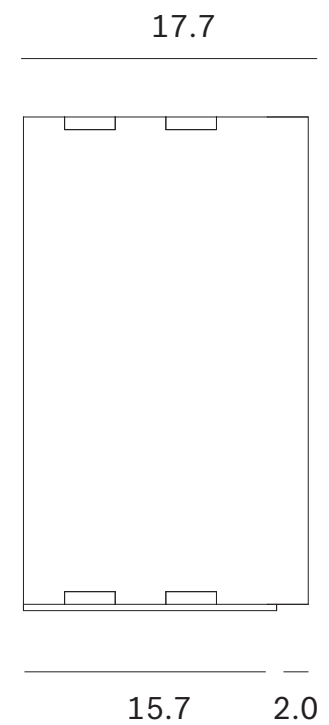
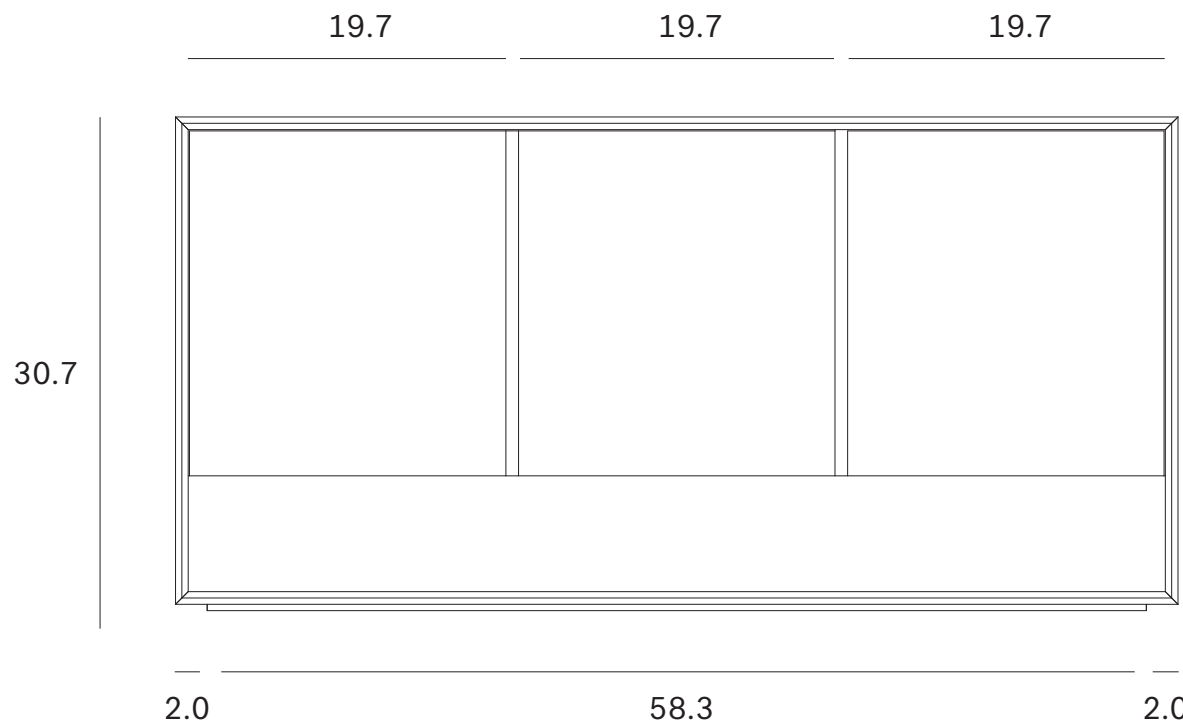
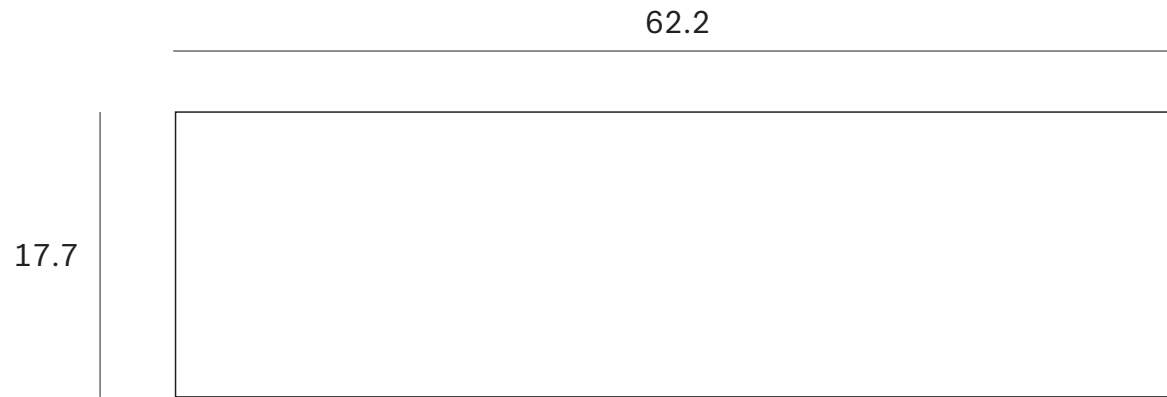
Ethnicraft

Nordic sideboard - Dimensions (cm)



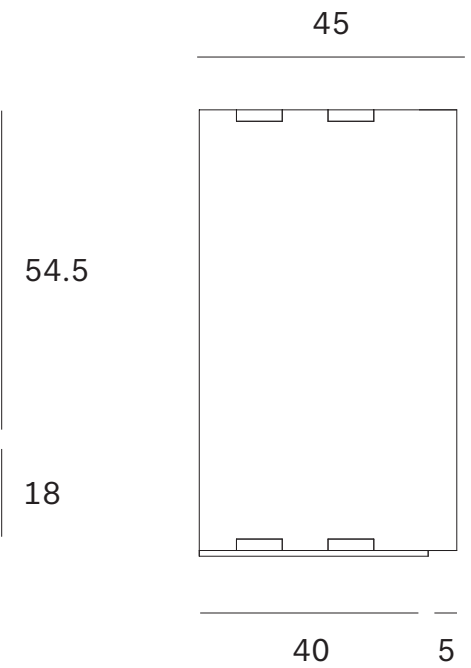
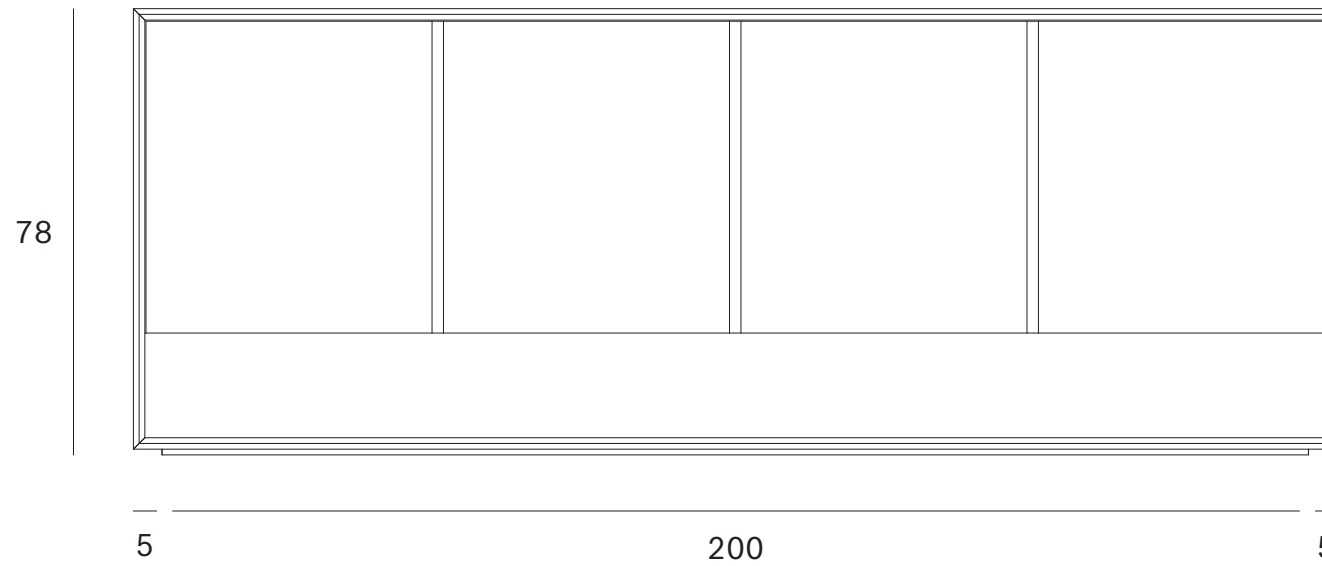
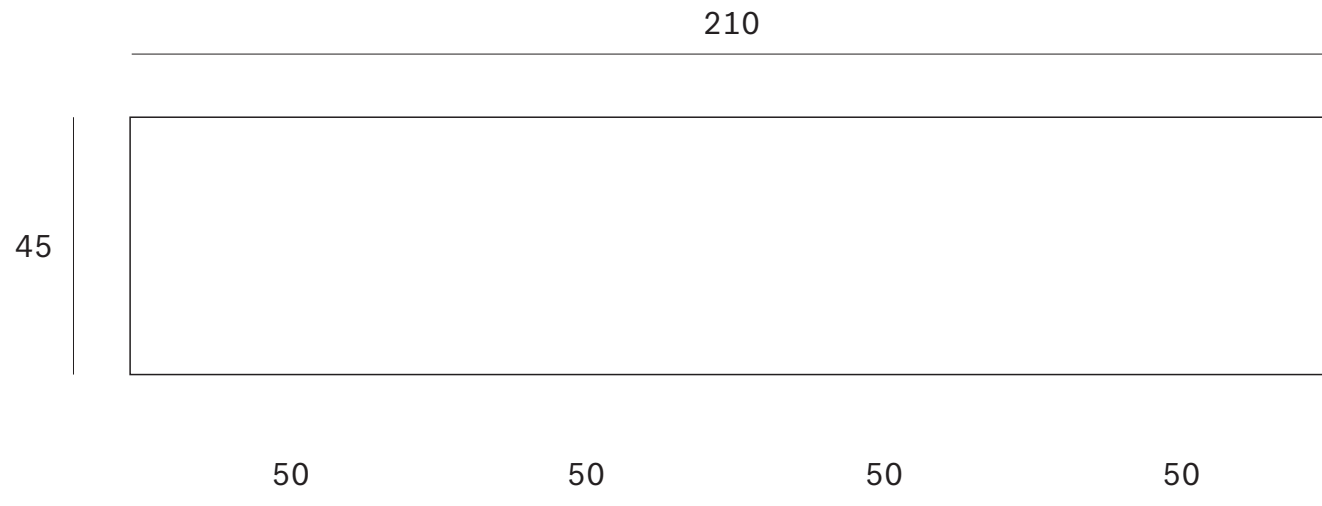
Ethnicraft

Nordic sideboard - Dimensions (inches)



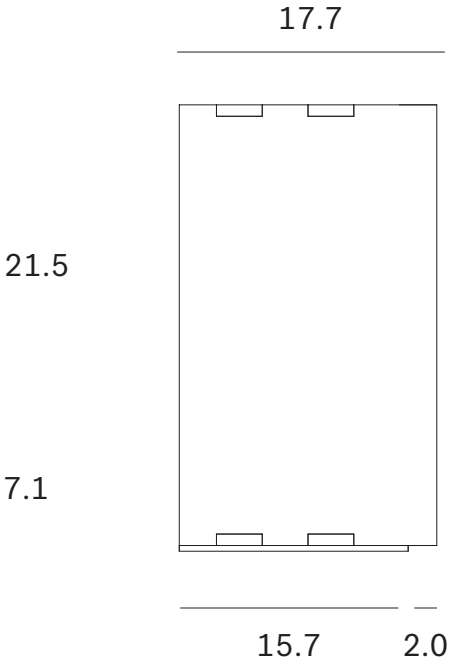
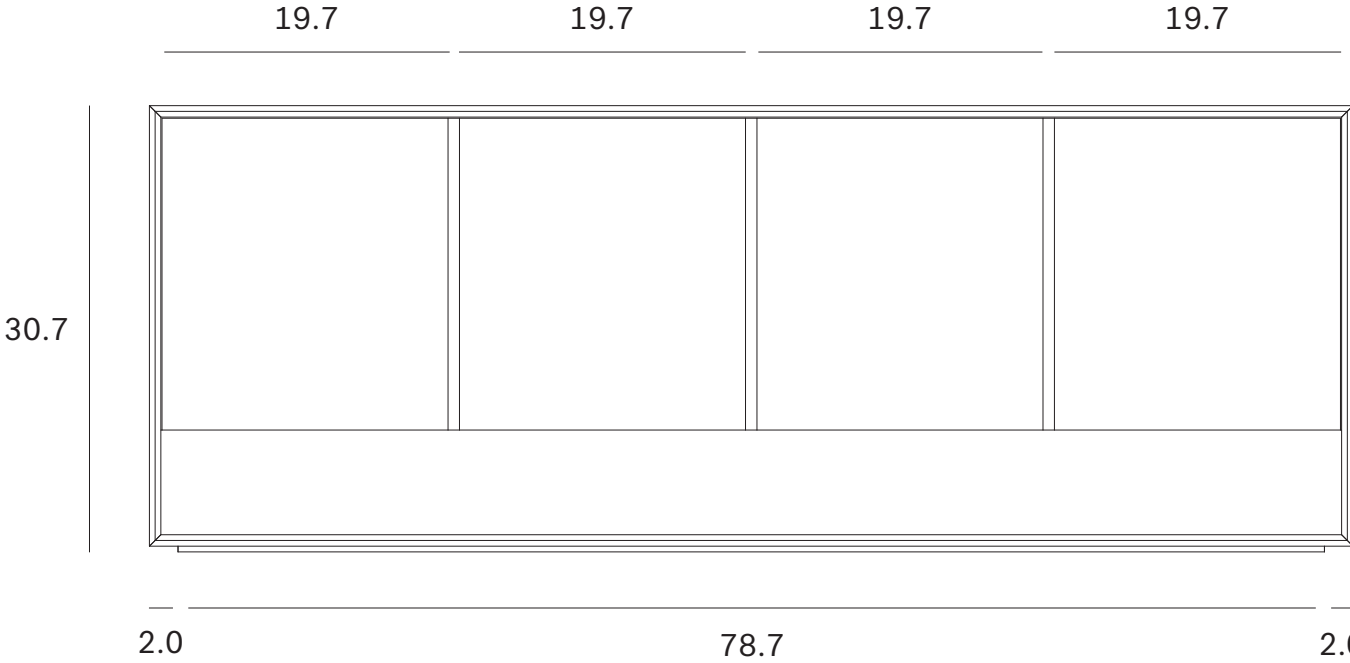
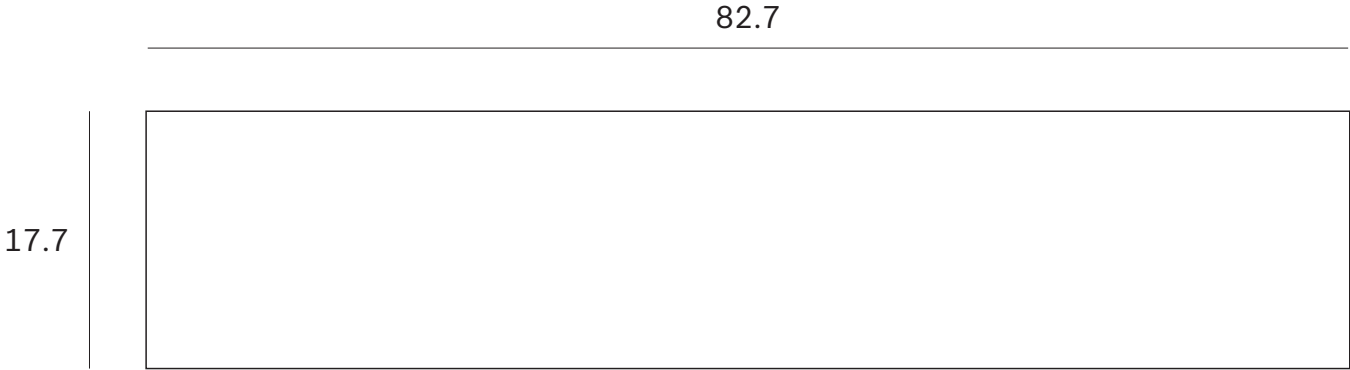
Ethnicraft

Nordic sideboard - Dimensions (cm)



Ethnicraft

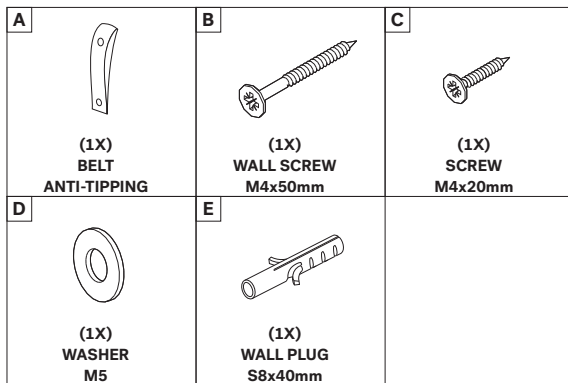
Nordic sideboard - Dimensions (inches)



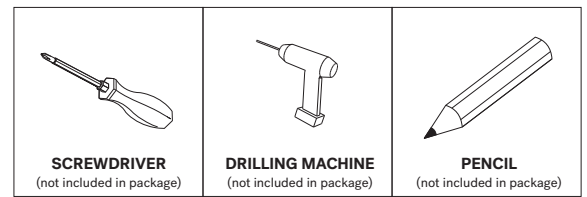
Ethnicraft

ASSEMBLY INSTRUCTION FOR ANTI-TIPPING INSTALLATION

HARDWARE ENCLOSED



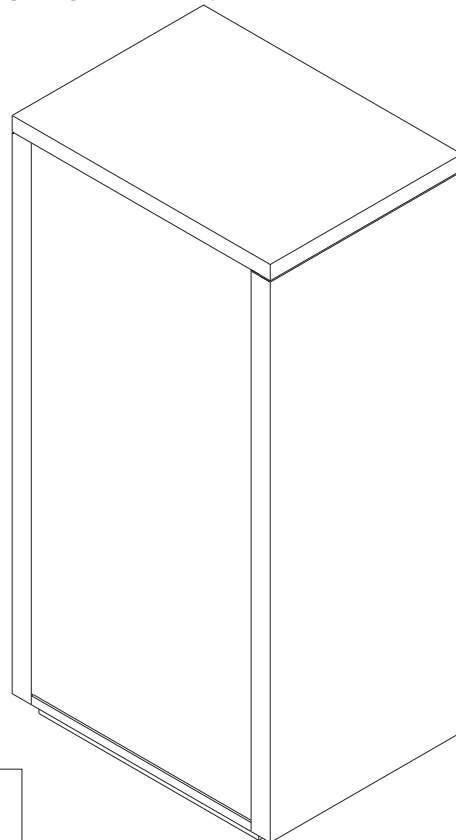
TOOLS



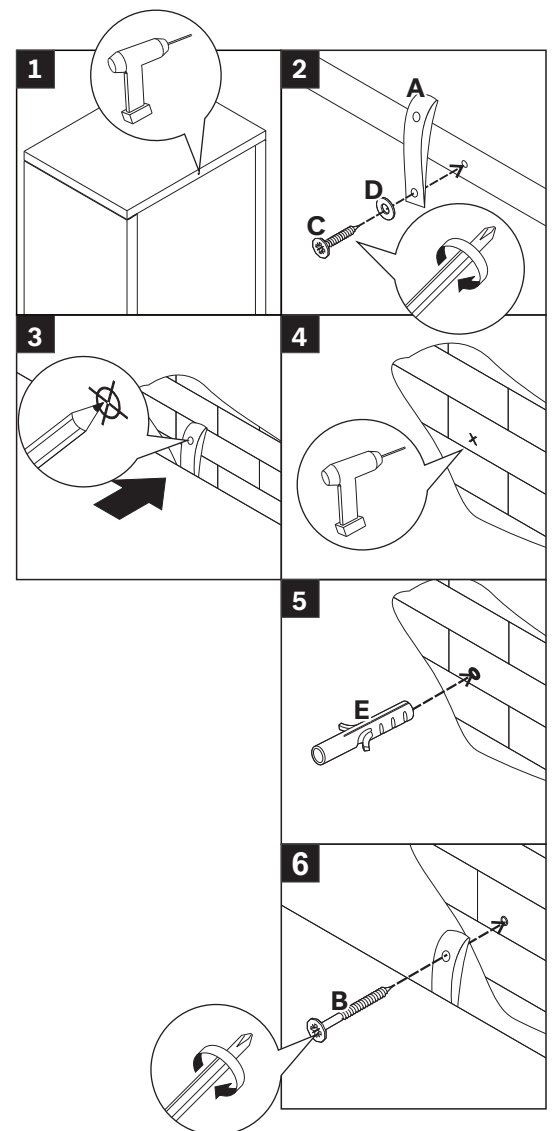
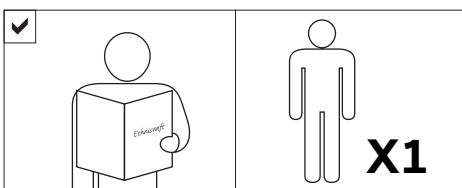
INSTALLING ANTI-TIPPING SYSTEM



AS WALL MATERIALS VARY,
THE SCREW INCLUDED ARE FOR BRICK WALL.
FOR ADVICE ON SUITABLE SCREW SYSTEMS,
CONTACT YOUR LOCAL SPECIALISED DEALER.



NOTICE

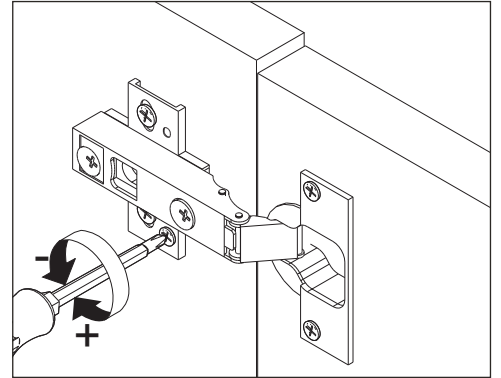
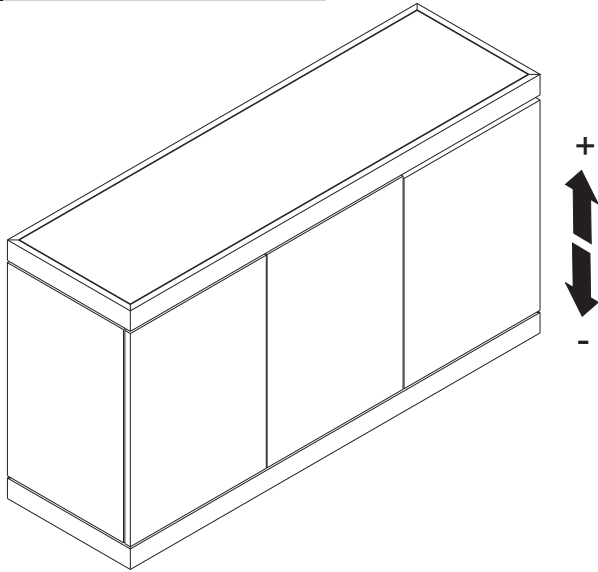


INSTRUCTION

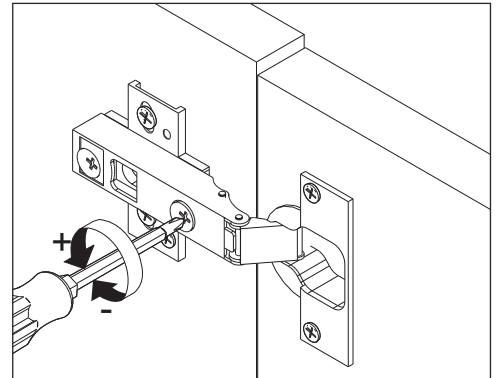
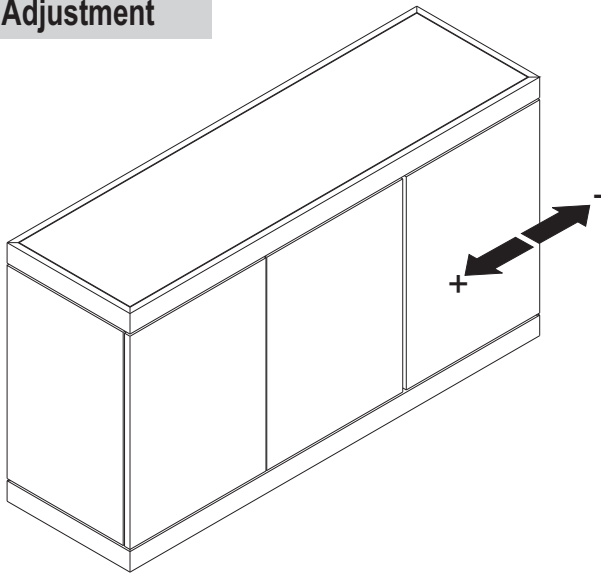
1. Use a drilling machine to drill a hole in the top back frame of the item.
2. Install the anti-tipping belt (A), washer(D) with 4x20 mm screw (C) into the pre-drilled hole on the top back frame of the item.
3. Using a 1/4" diameter drill bit, drill the wall at the same level as the anti-tipping belt (A) on the item. Install the wall plug (E) into the hole.
4. Connect the anti-tipping belt (A) with the wall screw (B) into the wall plug (E).

ASSEMBLY INSTRUCTION FOR HINGE ADJUSTMENT

A. Vertical Adjustment



B. Horizontal Adjustment



C. Depth Adjustment

