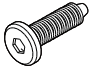
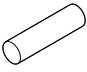
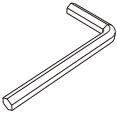


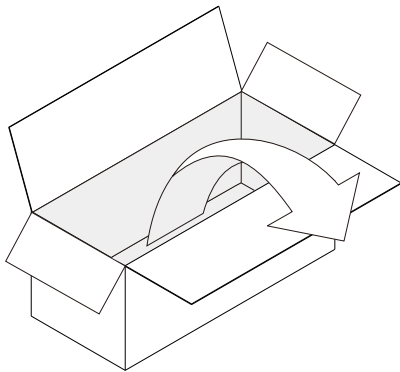
51320 PI COAT STAND

ASSEMBLY INSTRUCTIONS FOR COAT STAND INSTALLATION



HARDWARE & TOOL ENCLOSED

| | | |
|--|---|--|
|  <p>JCBC SCREW M6x25mm (4pcs)</p> |  <p>DOWEL Ø10x30mm (1pc)</p> |  <p>ALLEN KEY</p> |
|--|---|--|

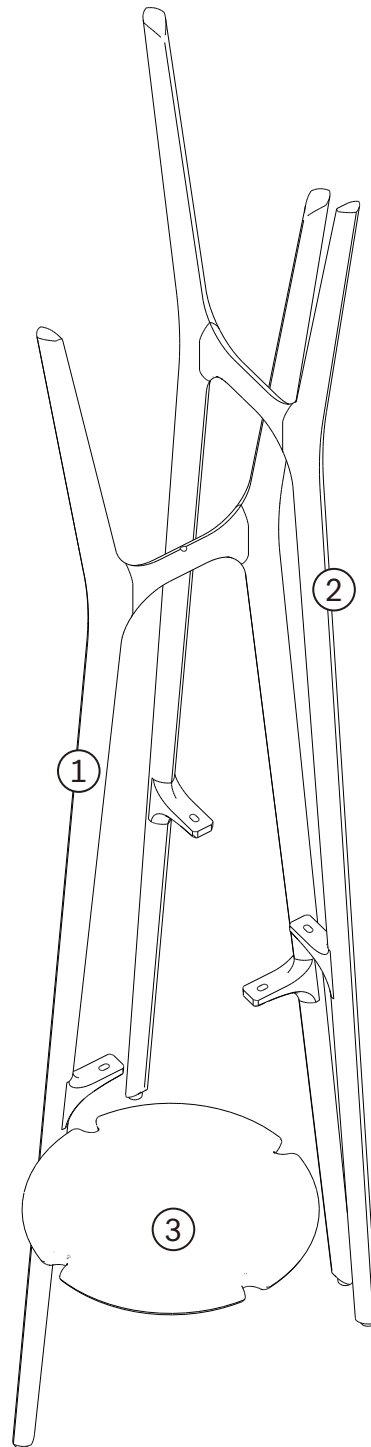


IN YOUR PACKAGE :

ASSEMBLY INSTRUCTIONS
HARDWARE (AS LISTED ABOVE)

PARTS TO BE INSTALLED

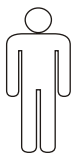
1. LEG 1 (1 pc)
2. LEG 2 (1 pc)
3. SHELF (1 pc)



SYMBOLS



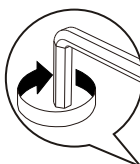
DIRECTION



NUMBER OF
PERSONS NEEDED

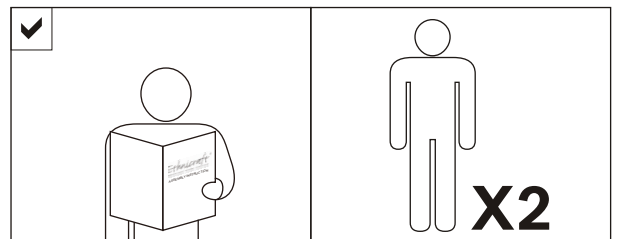


USE HAND



USE ALLEN KEY
TO TIGHTEN

NOTICE

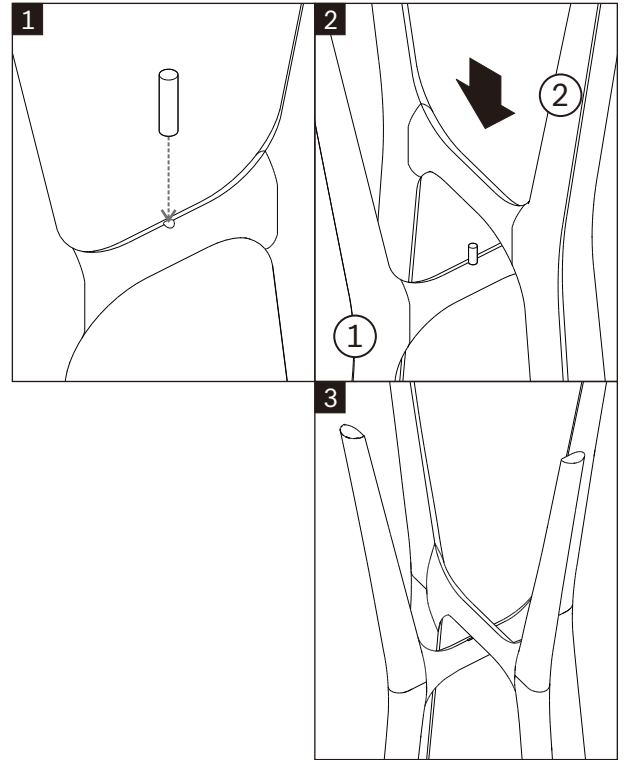
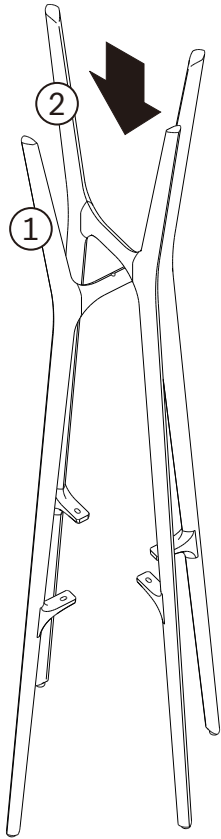


51320 PI COAT STAND

ASSEMBLY INSTRUCTIONS FOR COAT STAND INSTALLATION

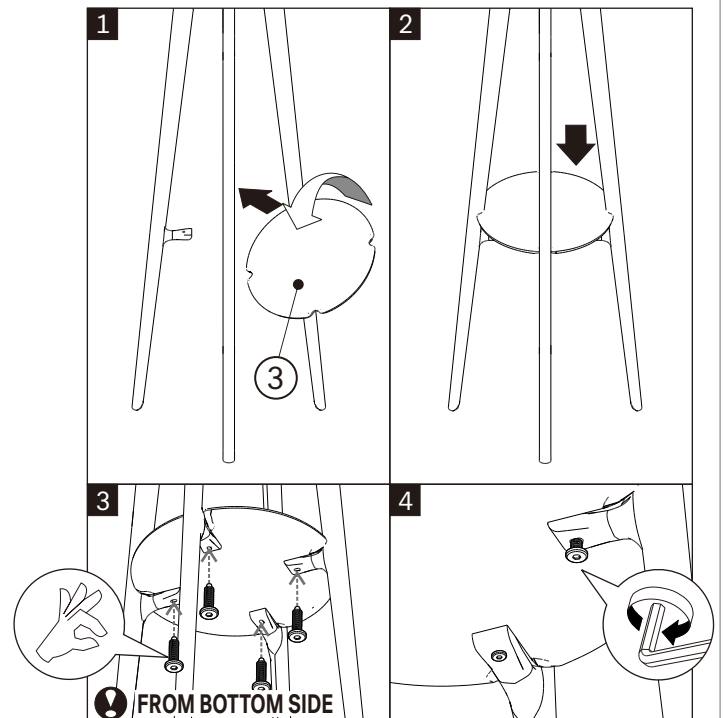
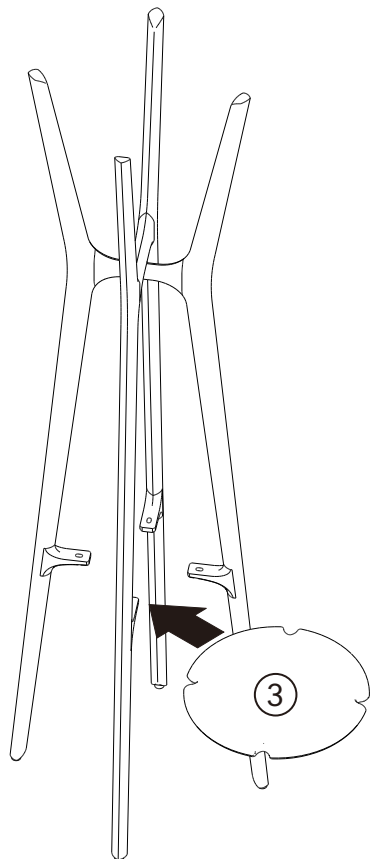


A JOINING LEGS




 USE DOWEL Ø10x30mm (1X)

B ATTACHING SHELF



 FROM BOTTOM SIDE

 - USE JCBC SCREW M6x25mm (4X)
- TIGHTEN FULLY