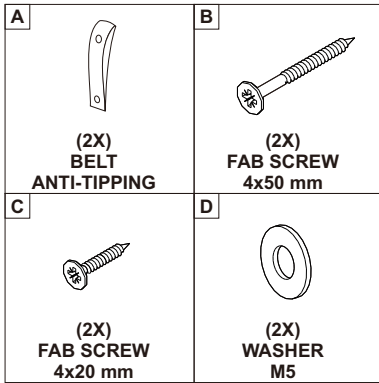
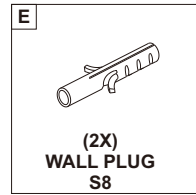


HARDWARE ENCLOSED



HARDWARE REQUIRED (Not included in package)



TOOLS REQUIRED (Not included in package)



AS WALL MATERIALS VARY, WALL PLUG FOR FIXING TO WALL ARE NOT INCLUDED.

FOR ADVICE ON SUITABLE SCREW SYSTEMS, CONTACT YOUR LOCAL SPECIALISED DEALER.

SEEK THE PROFESSIONAL ADVICE IF YOU ARE NOT FAMILIAR WITH THIS TYPE OF INSTALLATION OR HAVE ANY SAFETY DOUBTS UNDERTAKING THE TASK.

INSTALLING ANTI-TIPPING SYSTEM



WARNING

Serious or fatal crushing injuries can occur from this product tip-over.

Children have died from furniture tipover.

To help prevent tip-over:

Always install the anti-tipping system provided with this product.

Place heaviest items in the lowest drawers or shelves.

Do not hang or place objects on top of this product if its height is higher than 150cm

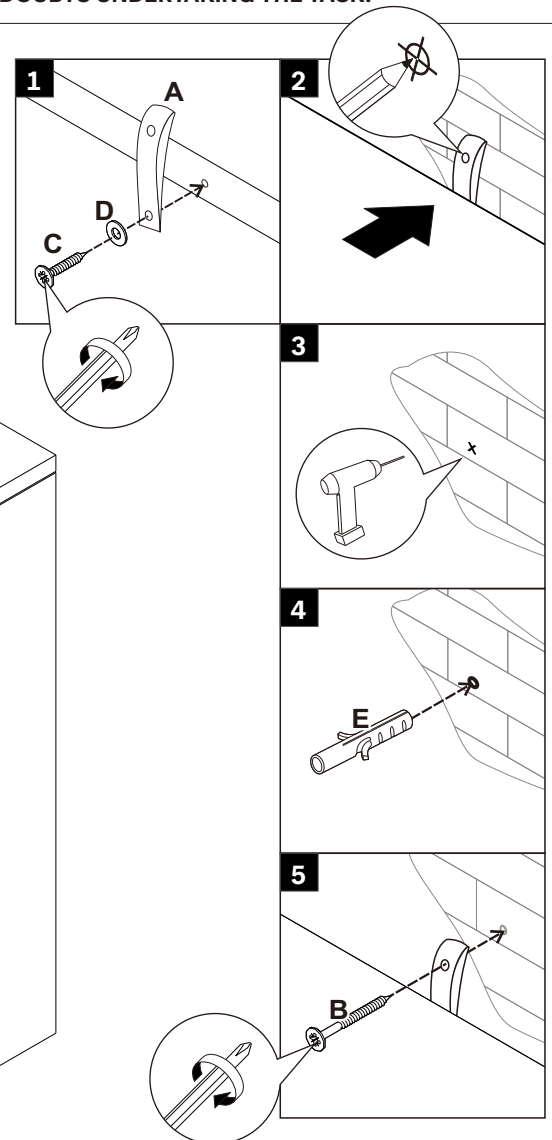
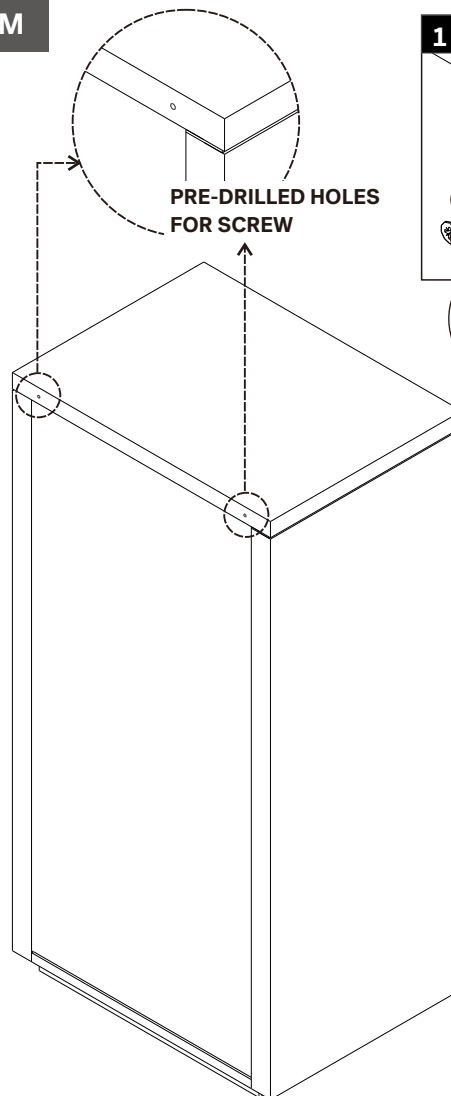
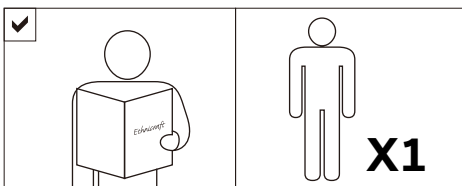
Never allow children to stand, climb or hang on drawers, doors, or shelves.

Never open more than one drawer at a time.

Do not lean or push against this product.

NOTE: Use of tip-over restraints may only reduce, but not eliminate, the risk of tip-over.

NOTICE



INSTRUCTION

1. Install anti-tipping belt (A), washer (D) with 4x20 mm screw (C) into the pre-drilled hole on the top back frame of the item.
2. Using a 1/4" diameter drill bit, drill the wall at the same level as the anti-tipping belt (A) on the item. Install the wall plug (E) into the hole.
3. Connect the anti-tipping belt (A) with FAB screw (B) into the wall plug (E)