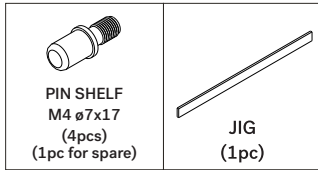


PI WALL DESK

ASSEMBLY INSTRUCTIONS FOR WALL DESK INSTALLATION

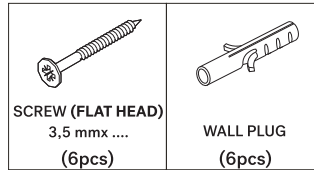


HARDWARE ENCLOSED



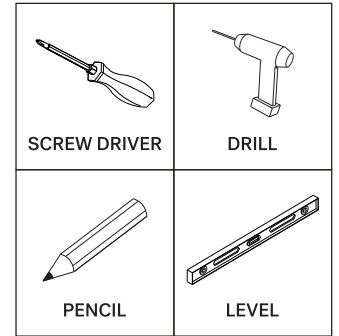
HARDWARE REQUIRED

(Not included in this package)



TOOLS REQUIRED

(Not included in this package)



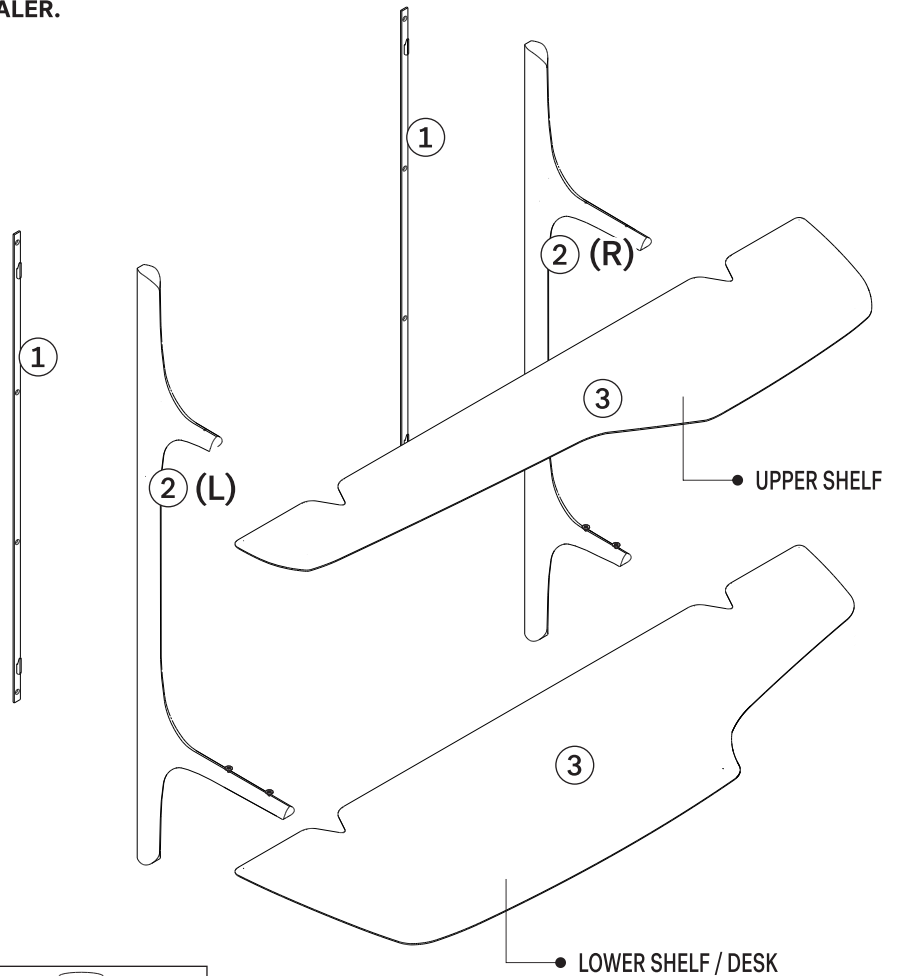
AS WALL MATERIALS VARY, SCREW AND WALL PLUG FOR FIXING TO WALL ARE NOT INCLUDED. FOR ADVICE ON SUITABLE SCREW SYSTEMS, CONTACT YOUR LOCAL SPECIALISED DEALER.

IN YOUR PACKAGE :

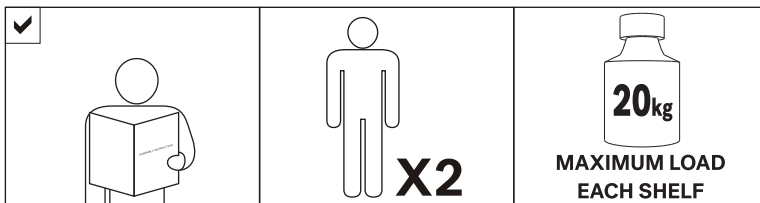
ASSEMBLY INSTRUCTIONS
HARDWARE (AS LISTED ABOVE)

PARTS TO BE INSTALLED

1. METAL HANGING BRACKETS (2 pcs)
2. SHELF SUPPORTS (2 pcs)
3. SHELVES (2 pcs)



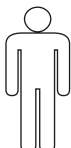
NOTICE



SYMBOLS



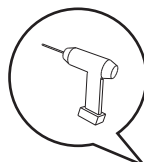
DIRECTION



NUMBER OF
PERSONS NEEDED



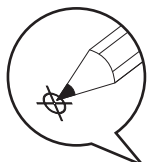
USE HAND



USE DRILL



USE SCREWDRIVER
TO TIGHTEN

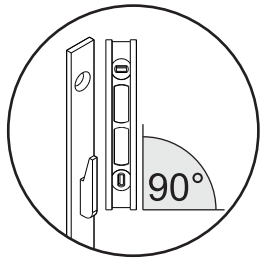


USE PENCIL

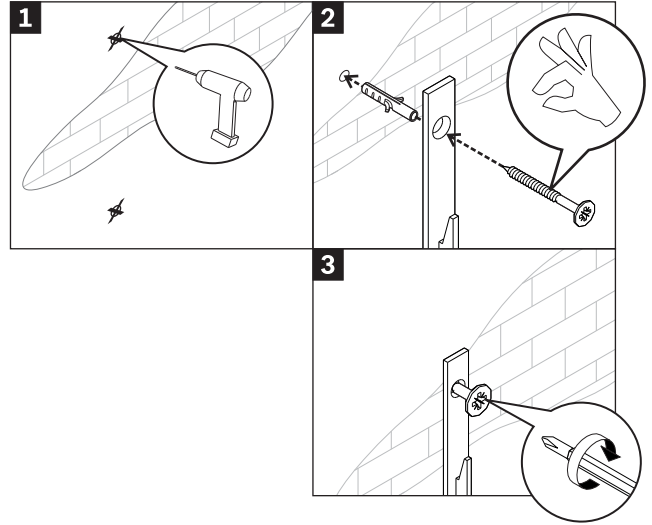
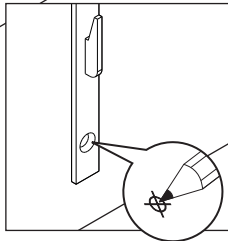
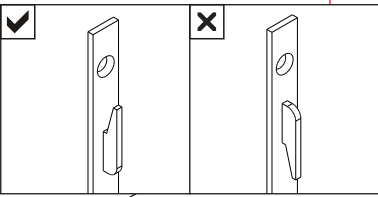
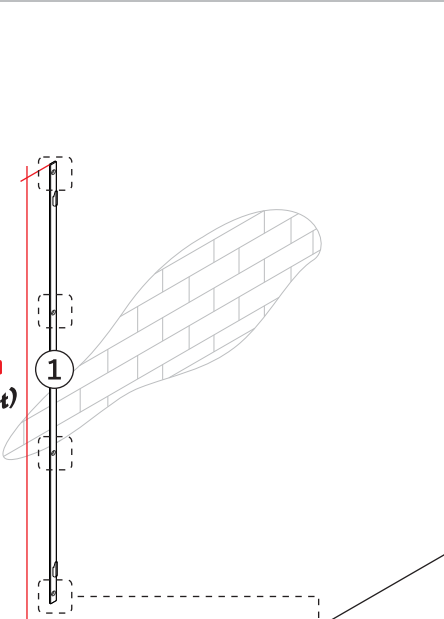
PI WALL DESK ASSEMBLY INSTRUCTIONS FOR WALL DESK INSTALLATION



A INSTALLING METAL HANGING BRACKET TO THE WALL

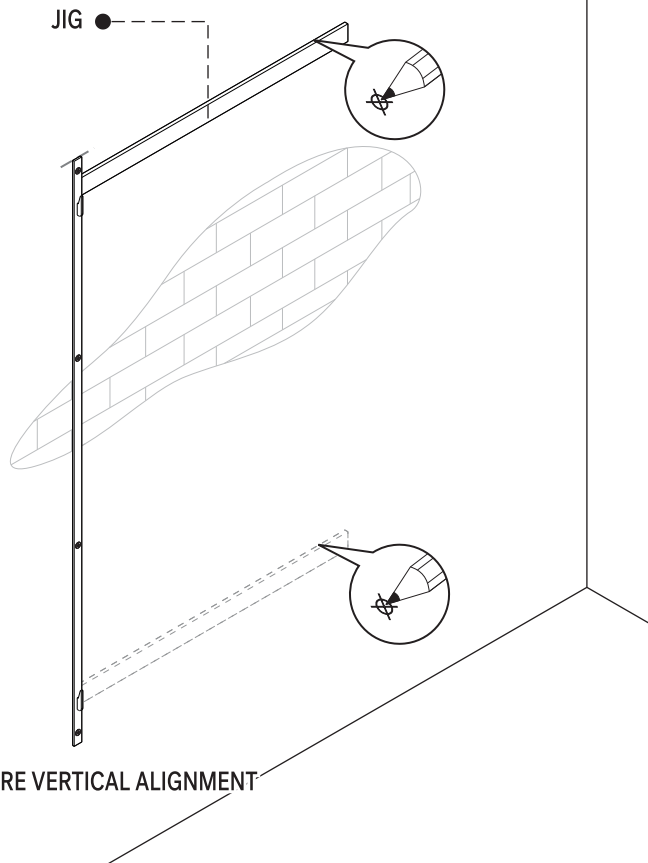


Y cm
(Y = desired height)



- ILLUSTRATION WITH BRICK WALL
- MAKE PENCIL MARKS WITHIN METAL HANGING BRACKET SCREW HOLES
- USE LEVEL FOR ALIGNMENT
- USE WALL PLUG (X4)
- USE SCREW (X4)
- TIGHTEN FULLY

B DETERMINE THE DISTANCE BETWEEN METAL HANGING BRACKETS

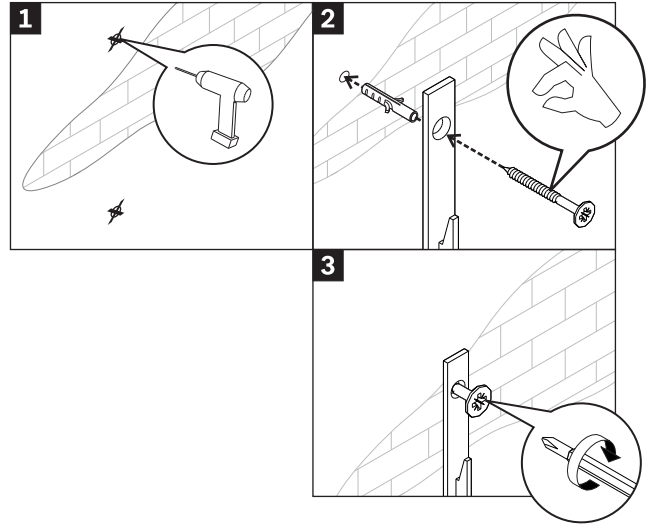
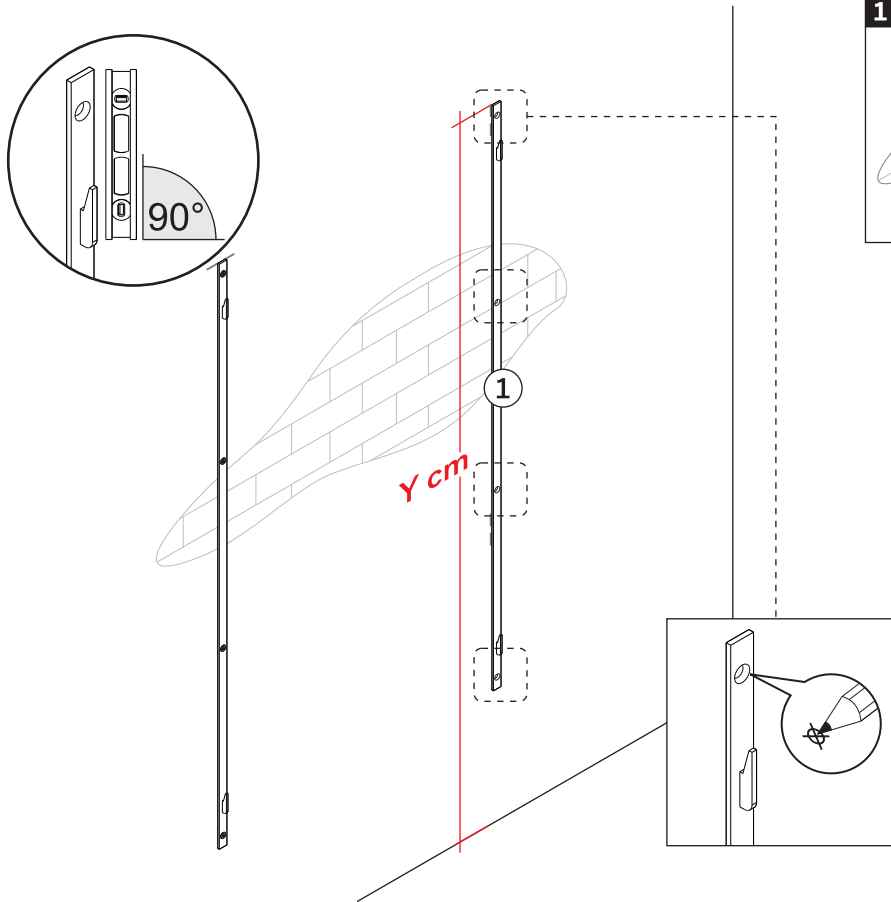


- USE JIG
- USE GUIDELINES TO ENSURE VERTICAL ALIGNMENT

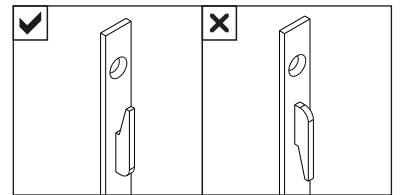
PI WALL DESK
ASSEMBLY INSTRUCTIONS FOR WALL DESK INSTALLATION



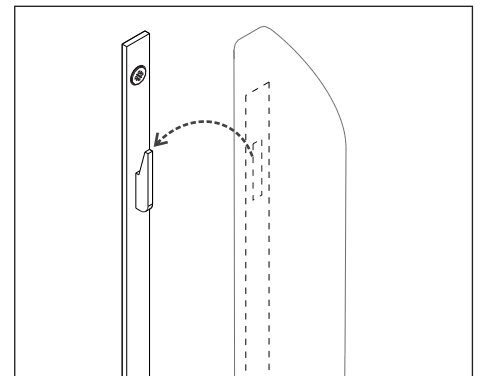
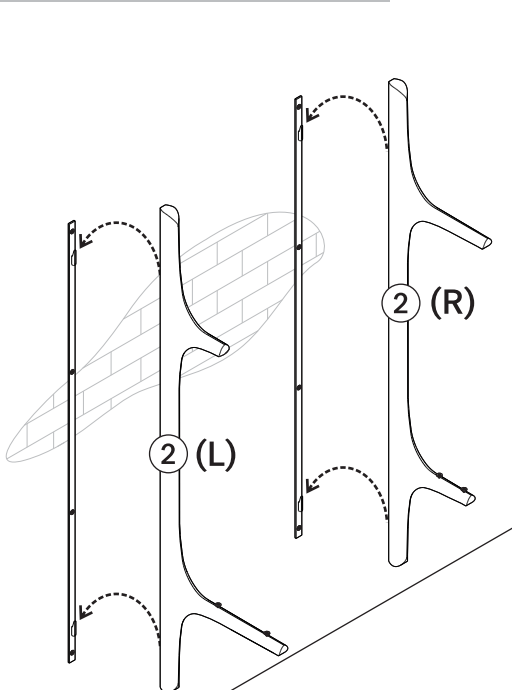
C INSTALLING METAL HANGING BRACKET TO THE WALL



- USE LEVEL FOR ALIGNMENT
- ENSURE BOTH METAL HANGING BRACKETS ARE AT AN EQUAL HEIGHT
- USE WALL PLUG (X4)
- USE SCREW (X4)
- TIGHTEN FULLY



D INSTALLING SHELF SUPPORTS

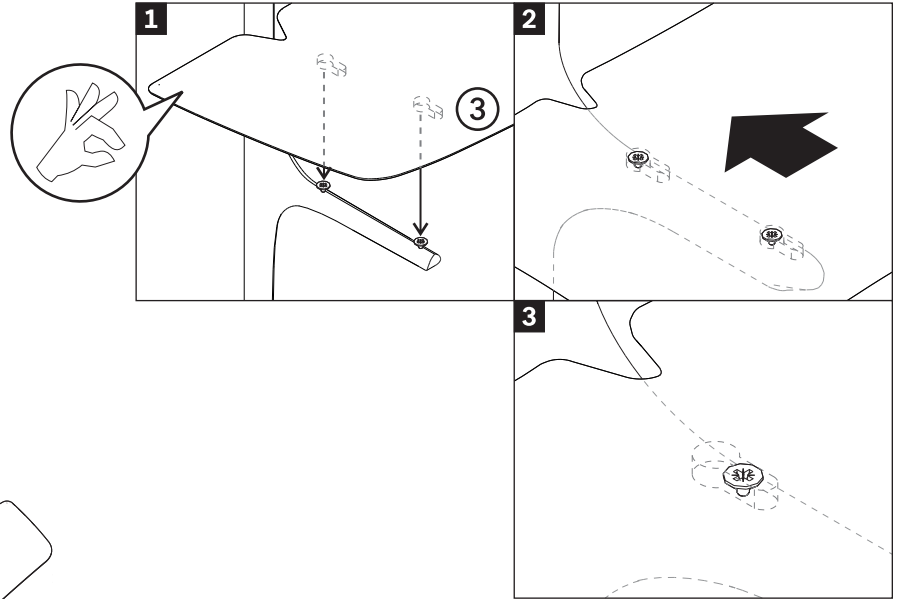
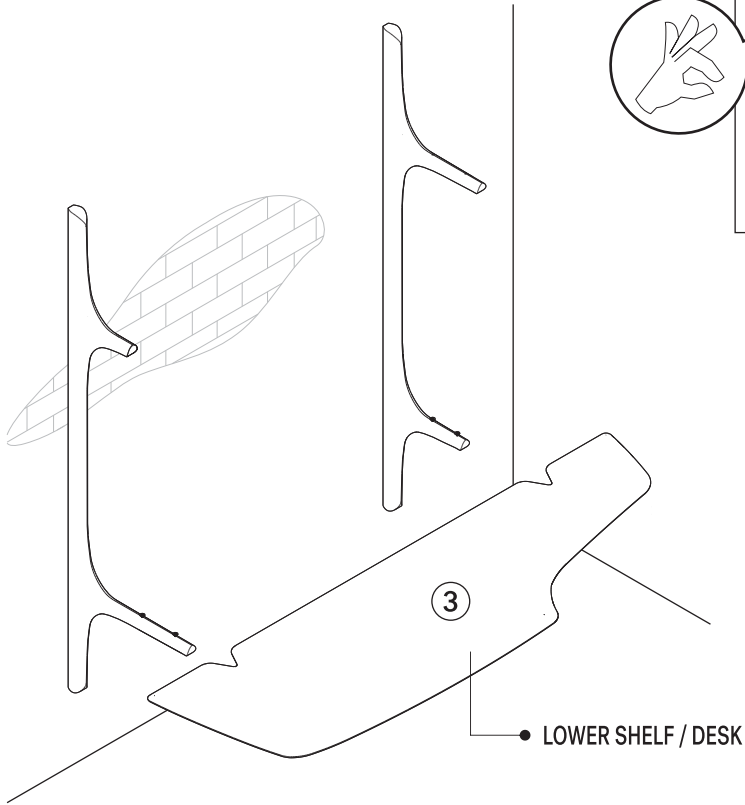


- PLEASE REFER TO THE CODE ATTACHED ON THE SHELF SUPPORTS
- ! L = LEFT SIDE
 - R = RIGHT SIDE

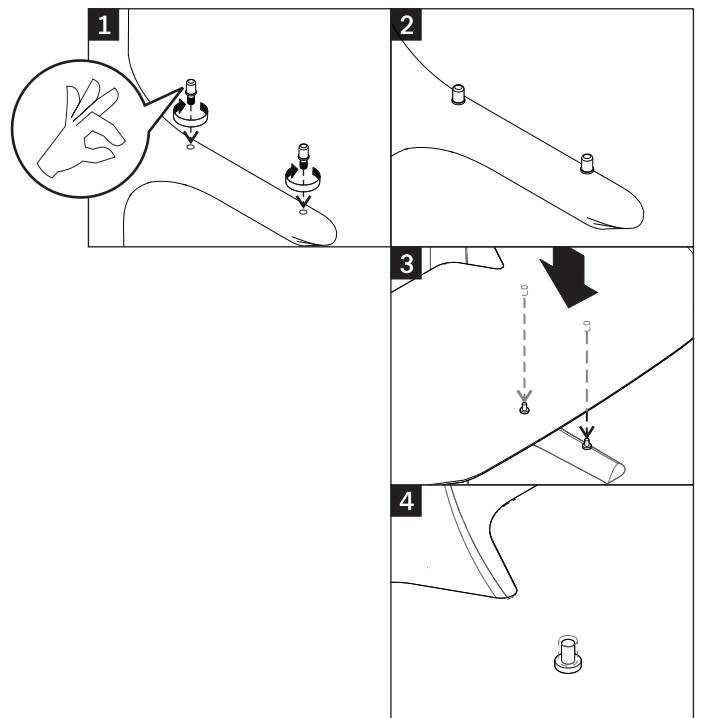
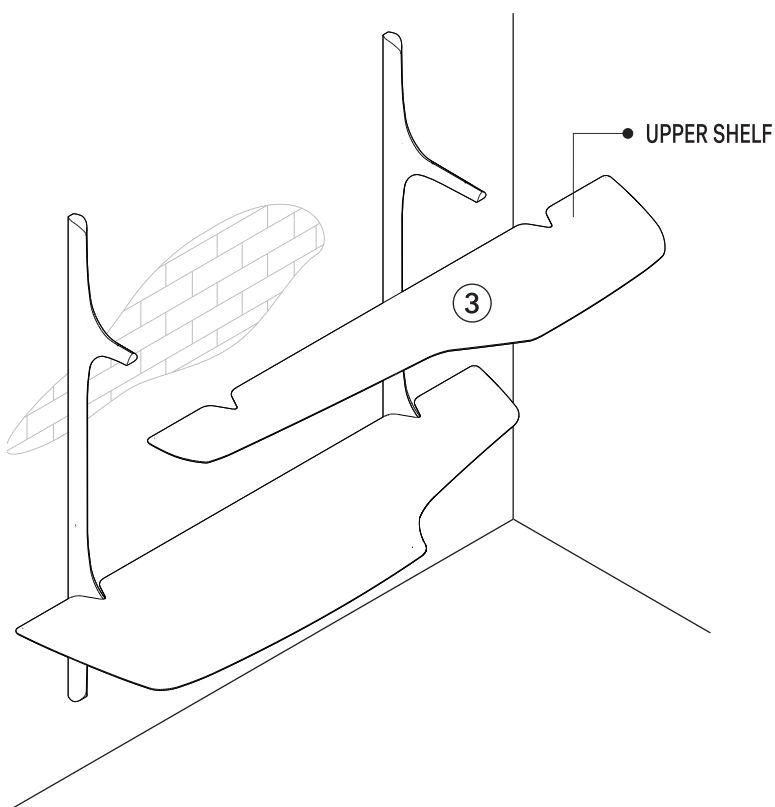
PI WALL DESK ASSEMBLY INSTRUCTIONS FOR WALL DESK INSTALLATION



E ATTACHING LOWER SHELF / DESK



F ATTACHING UPPER SHELF



 USE PIN SHELF (X3)