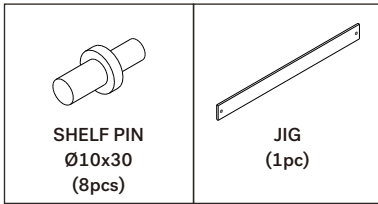


## 51336 POLISHED IMPERFECT WALL SHELF - 2 SHELVES ASSEMBLY INSTRUCTIONS FOR WALL SHELF INSTALLATION

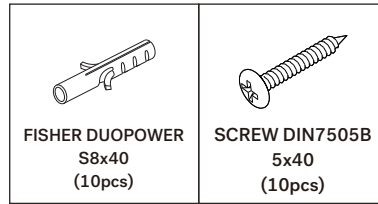


### HARDWARE ENCLOSED



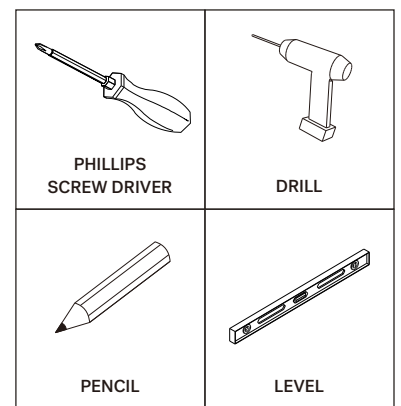
### HARDWARE REQUIRED

(Not included in this package)

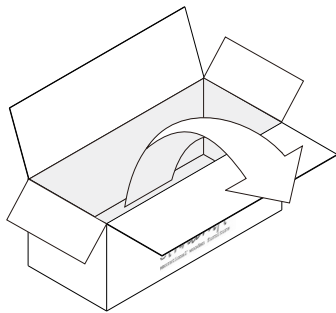


### TOOLS REQUIRED

(Not included in this package)



**AS WALL MATERIALS VARY, SCREW AND WALL PLUG FOR FIXING TO WALL ARE NOT INCLUDED. FOR ADVICE ON SUITABLE SCREW SYSTEMS, CONTACT YOUR LOCAL SPECIALISED DEALER.**

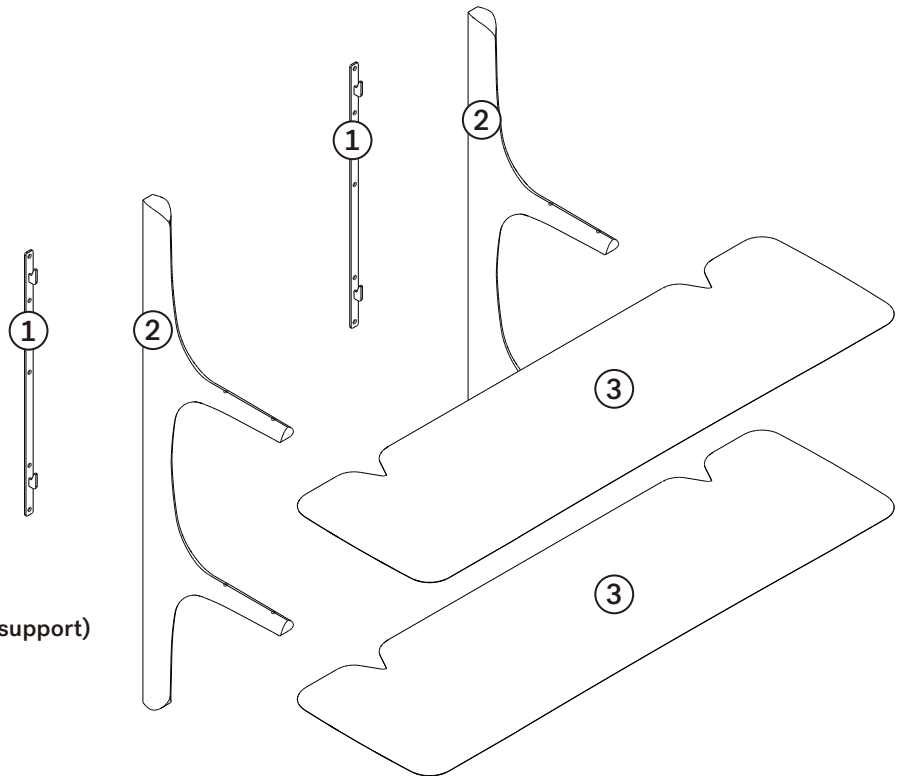


**IN YOUR PACKAGE :**

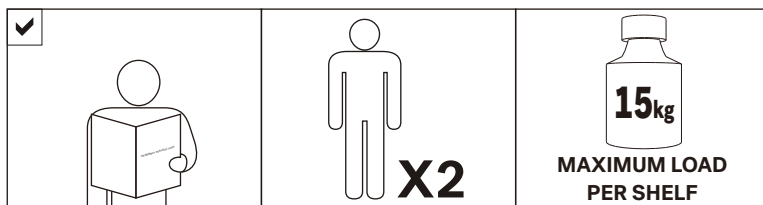
**ASSEMBLY INSTRUCTIONS  
HARDWARE (AS LISTED ABOVE)**

**PARTS TO BE INSTALLED**

1. METAL HANGER 2 pcs (Pre-installed on the shelf support)
2. SHELF SUPPORTS 2 pcs
3. SHELVES 2 pcs



### NOTICE

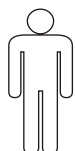


**SHELF SUPPORTS & SHELVES ARE INTERCHANGEABLE**

### SYMBOLS



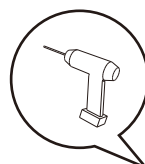
**DIRECTION**



**NUMBER OF  
PERSONS NEEDED**



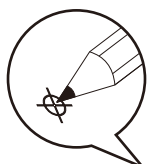
**USE HAND**



**USE DRILL**



**USE PHILLIPS SCREWDRIVER  
TO TIGHTEN**

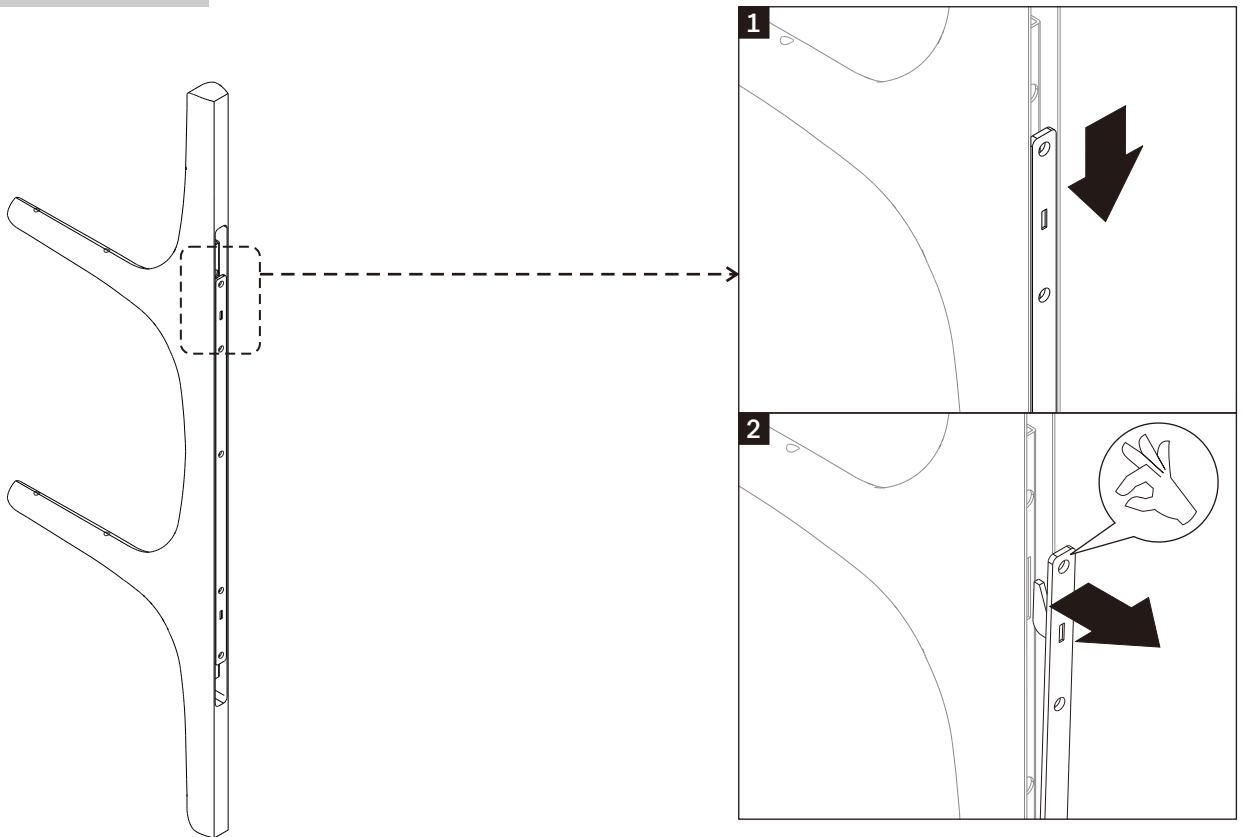


**USE PENCIL**

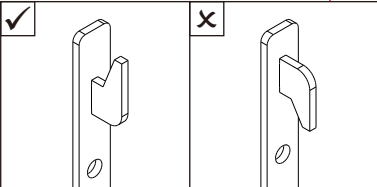
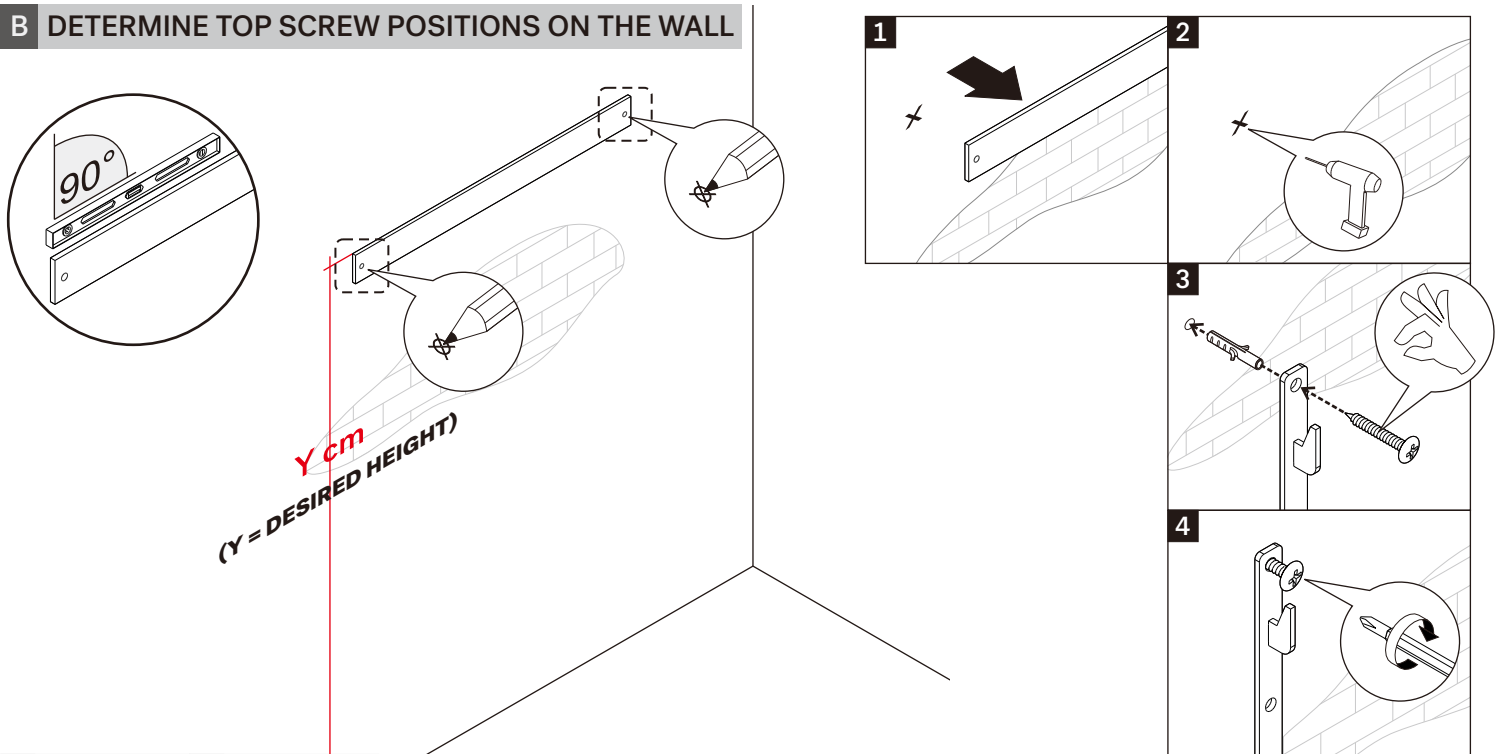
## 51336 POLISHED IMPERFECT WALL SHELF - 2 SHELVES ASSEMBLY INSTRUCTIONS FOR WALL SHELF INSTALLATION



### A RELEASING METAL HANGER



### B DETERMINE TOP SCREW POSITIONS ON THE WALL

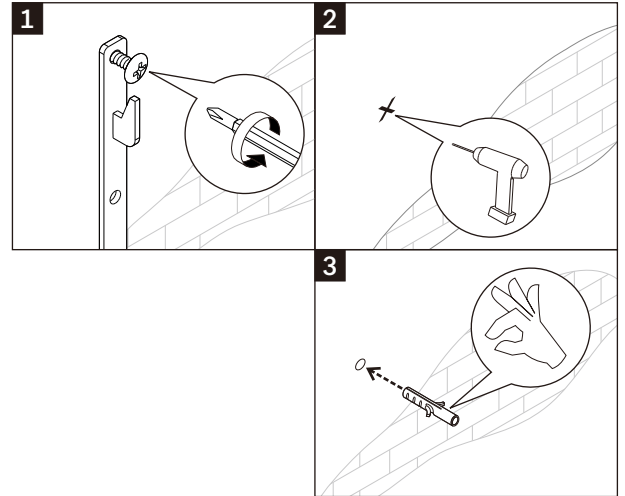
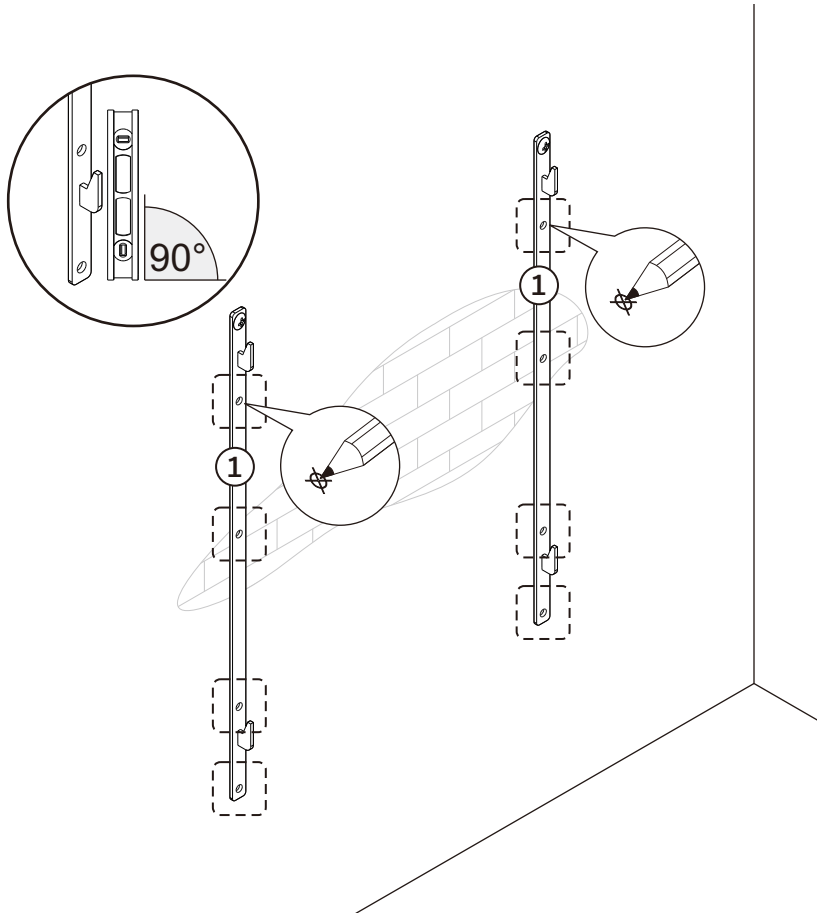


- ILLUSTRATION WITH BRICK WALL
- USE JIG HOLES TO MAKE PENCIL MARKS FOR SCREW POSITION
- USE LEVEL FOR METAL HANGER ALIGNMENT
- USE FISHER DUOPOWER 8x40 (X2)
- USE SCREW 5x40 (X2)
- DO NOT TIGHTEN FULLY

## 51336 POLISHED IMPERFECT WALL SHELF - 2 SHELVES ASSEMBLY INSTRUCTIONS FOR WALL SHELF INSTALLATION

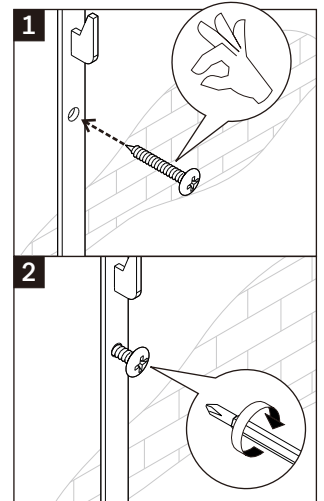
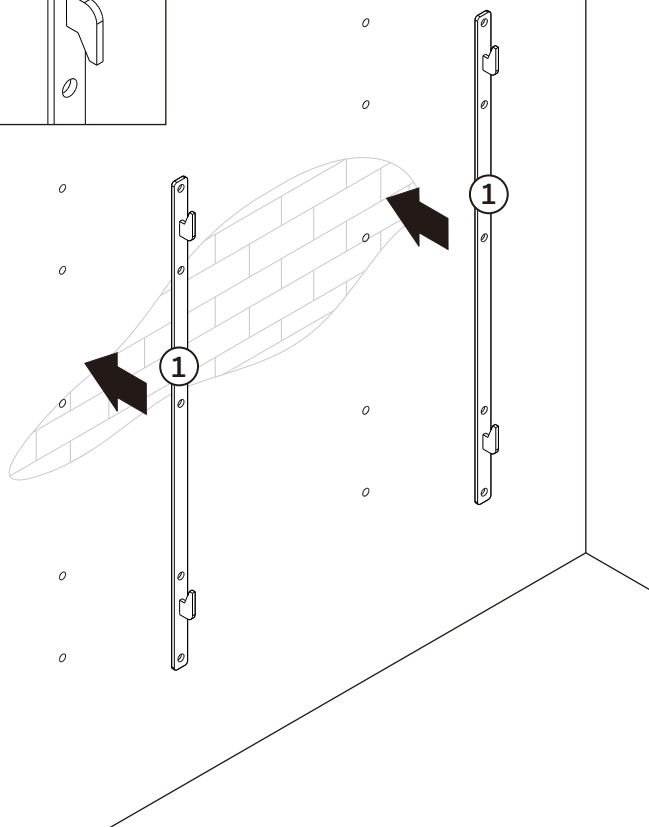
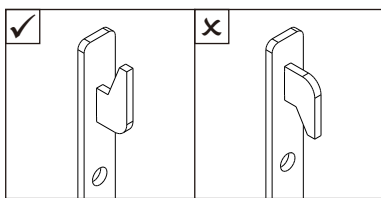


### C COMPLETE REMAINING SCREW POSITIONS



- MAKE PENCIL MARKS WITHIN METAL HANGER HOLES
- USE LEVEL FOR ALIGNMENT
- UNSCREW X2 SCREWS USED IN STEP 'B' TO REMOVE METAL HANGER AFTER MARKING
- USE DRILL
- USE FISHER DUOPOWER S8x40 (X8)

### D INSTALLING METAL HANGER TO THE WALL

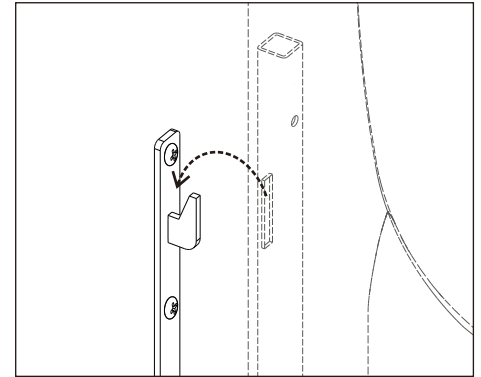
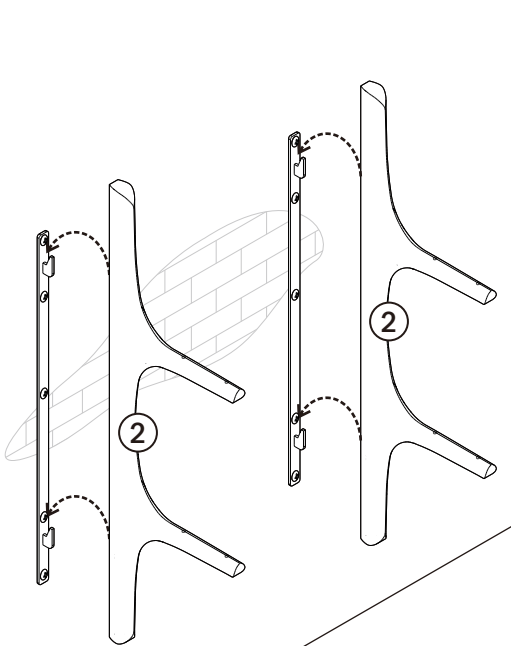


- USE SCREW 5x40 (X10)
- TIGHTEN FULLY ALL SCREWS

## 51336 POLISHED IMPERFECT WALL SHELF - 2 SHELVES ASSEMBLY INSTRUCTIONS FOR WALL SHELF INSTALLATION

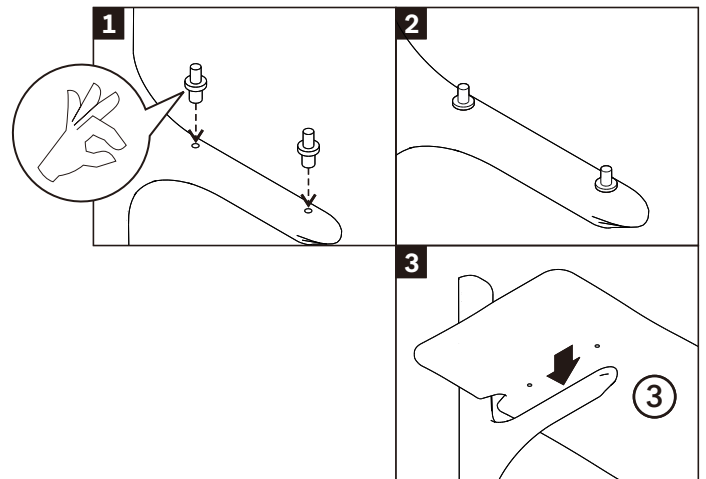
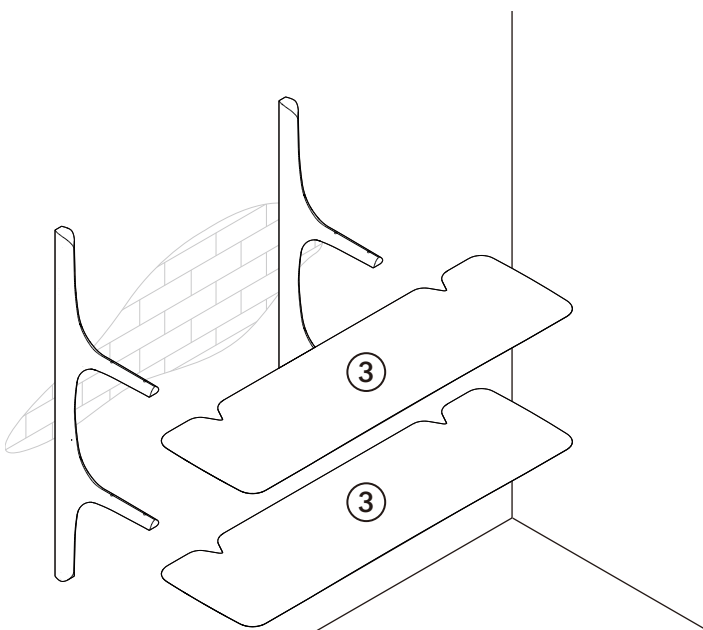


### E INSTALLING SHELF SUPPORTS



 SHELF SUPPORTS ARE INTERCHANGEABLE

### F INSTALLING SHELVES



 - USE PIN SHELF Ø10x30 (8X)

 SHELVES ARE INTERCHANGEABLE