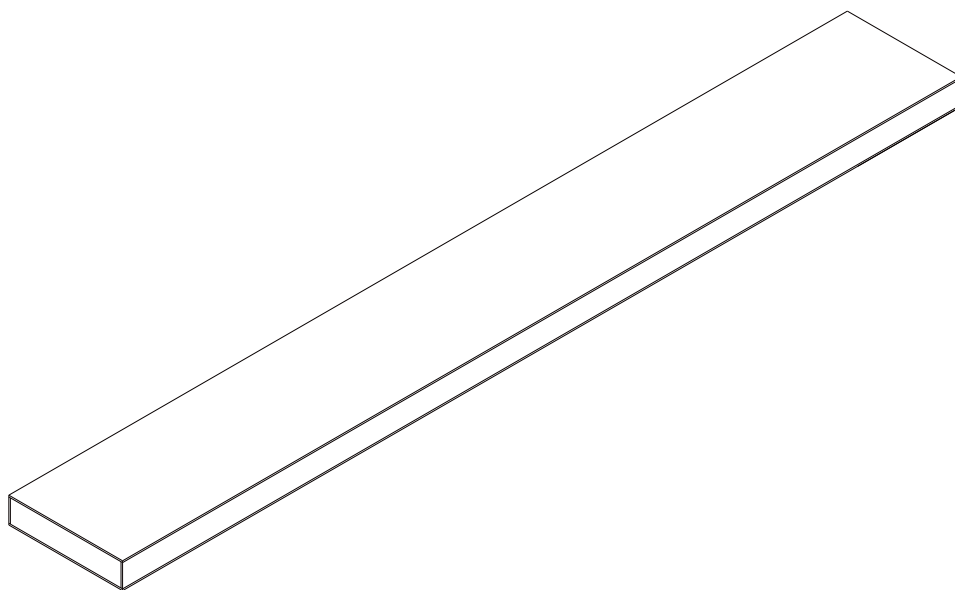


Ethnicraft

ASSEMBLY INSTRUCTIONS FOR SHELF INSTALLATION

OAK WALL SHELF

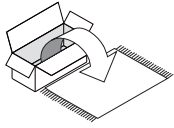
CODE	DESCRIPTION
51270	OAK BLACK WALL SHELF 210/22/5
51360	OAK WALL SHELF 210/22/5



OAK WALL SHELF - 210

ASSEMBLY INSTRUCTIONS FOR SHELF INSTALLATION

NOTE



CAREFULLY OPEN THE CARTON, REMOVE CONTENTS AND LAY OUT ON CARPET OR THE PACKAGING CARTON BOX OR OTHER PROTECTIVE SURFACE TO AVOID DAMAGE.

CHECK PACKAGE CONTENTS TO ASSURE ALL THE NECESSARY HARDWARE AND PARTS ARE RECEIVED UNDA MAGE. DO NOT USE DAMAGED OR DEFECTIVE PARTS/ HARDWARE. CONTACT ETHNICRAFT FOR ANY MISSING PART AND OR HARDWARE.



READ THE ASSEMBLY INSTRUCTION BEFORE INSTALLATION AND CAREFULLY FOLLOW THE INSTRUCTION GIVEN. SEEK THE ADVICE OF A PROFESSIONAL IF YOU ARE NOT FAMILIAR WITH THESE INSTALLATION OR HAVE ANY DOUBTS ABOUT THE SAFETY OF THIS INSTALLATION.

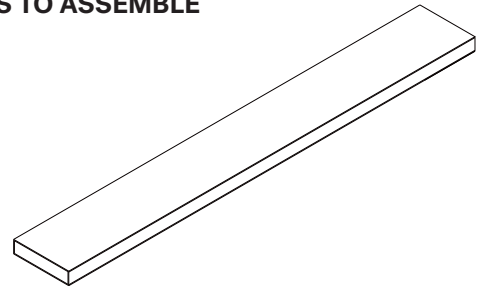


IT IS ADVISABLE TO DO THIS ASSEMBLY WITH MINIMUM OF 2 PERSONS.

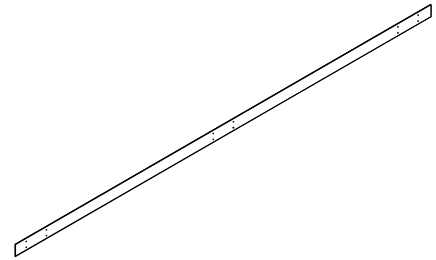


MAXIMUM LOAD 30 KG

PARTS TO ASSEMBLE



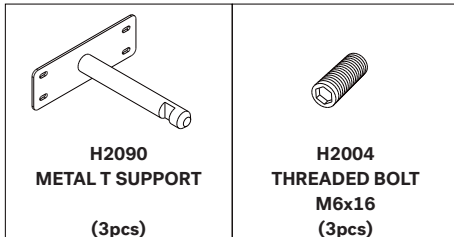
A WALL SHELF 1piece



B DRILLING JIG 1piece

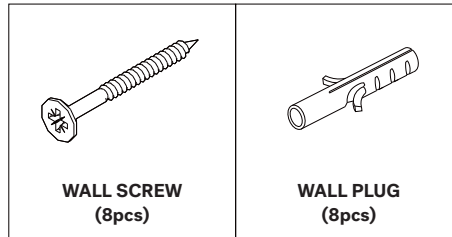
HARDWARE ENCLOSED

(Included in packaged)



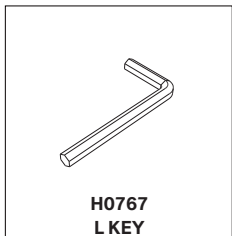
HARDWARE ENCLOSED

(Not included in packaged)



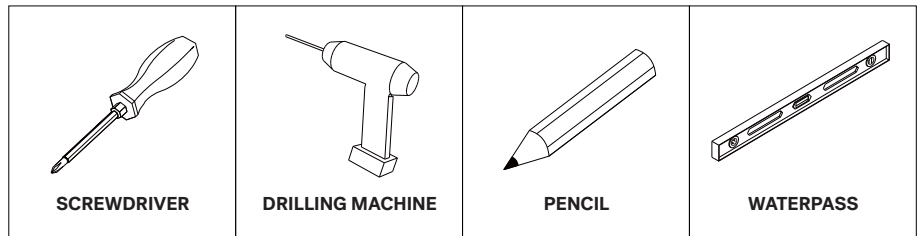
TOOL

(Included in packaged)



TOOLS

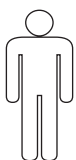
(Not included in packaged)



SYMBOLS



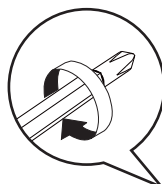
DIRECTION



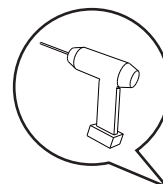
NUMBER OF PERSONS NEEDED



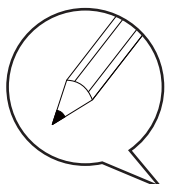
USE L KEY TO TIGHTEN



USE SCREWDRIVER TO TIGHTEN



USE DRILLING MACHINE



USE PENCIL

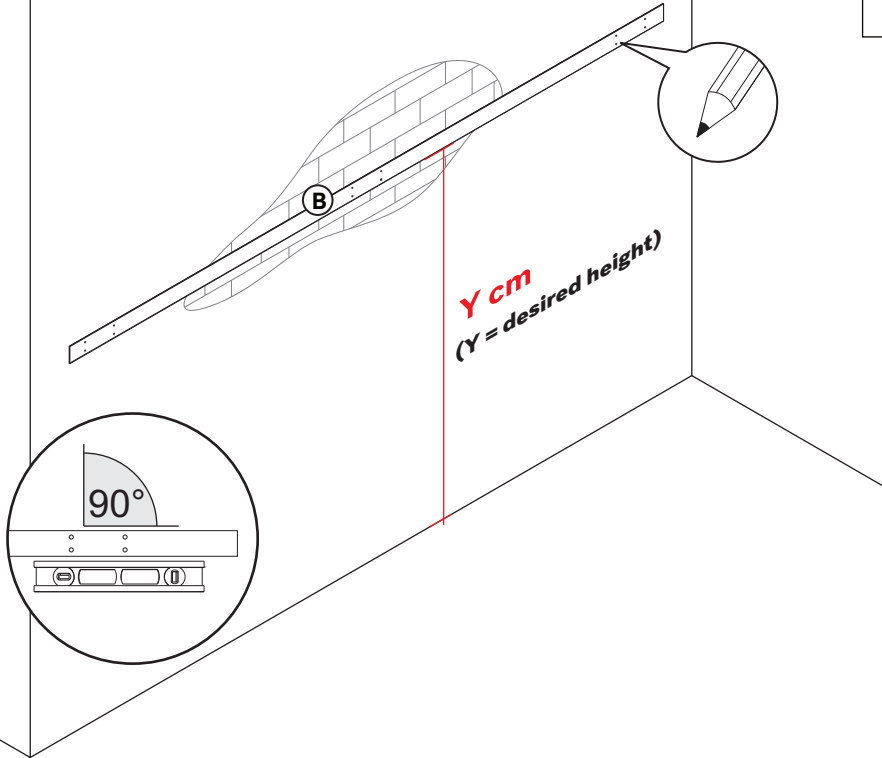
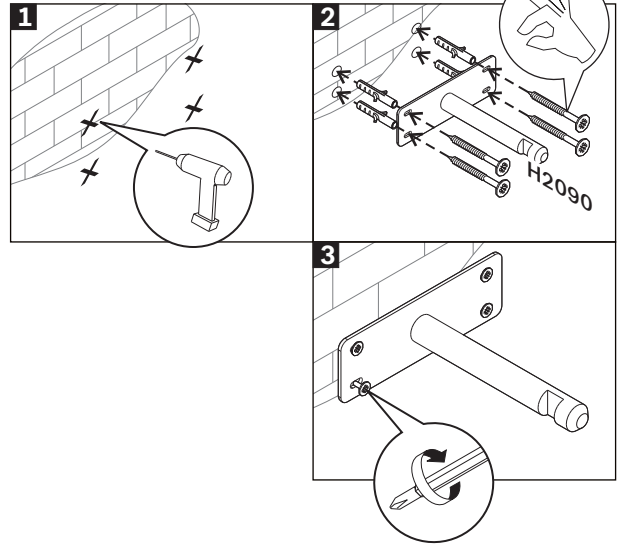
OAK WALL SHELF - 210

ASSEMBLY INSTRUCTIONS FOR SHELF INSTALLATION

A. INSTALLING METAL T SUPPORT

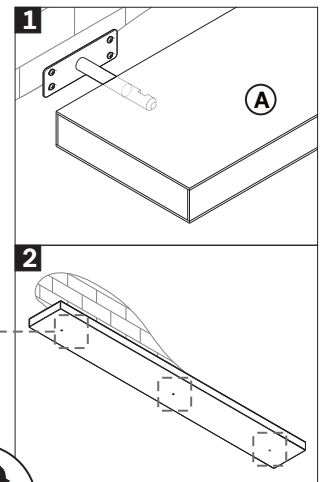
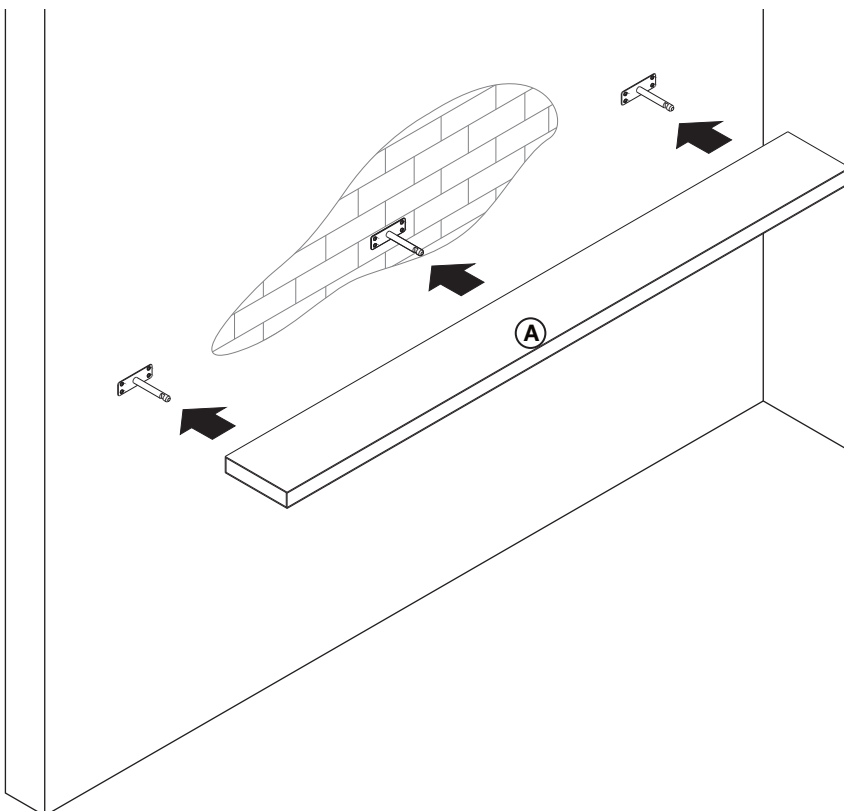


AS WALL MATERIALS VARY, SCREWS FOR FIXING TO WALL ARE NOT INCLUDED. FOR ADVICE ON SUITABLE SCREW SYSTEMS, CONTACT YOUR LOCAL SPECIALISED DEALER.



- ILLUSTRATION WITH BRICK WALL
- USE WATERPASS FOR ALIGNMENT
- TIGHTEN FULLY

B. INSTALLING WALL SHELF



- INSTALLING THREADED BOLT ON THE BOTTOM SIDE OF SHELF