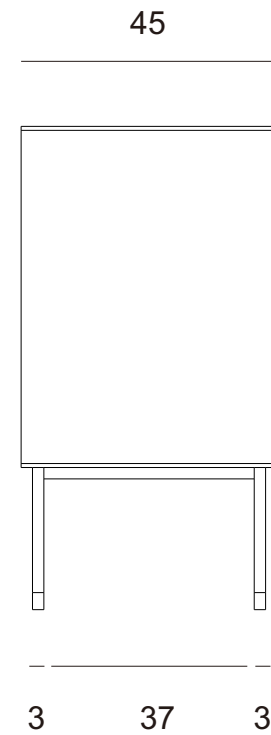
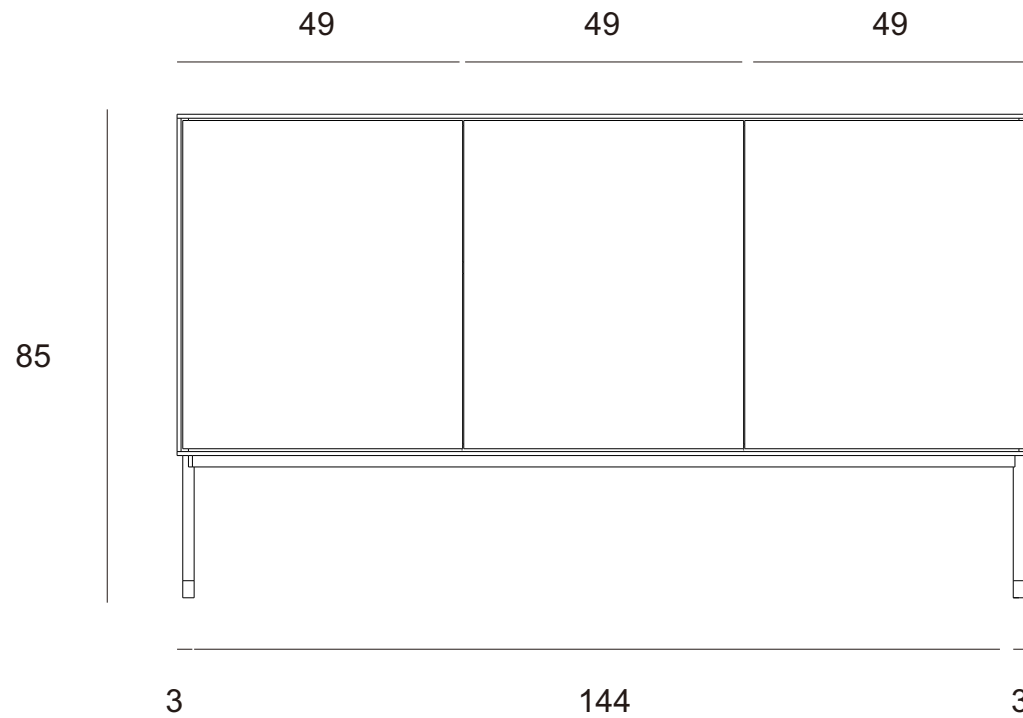
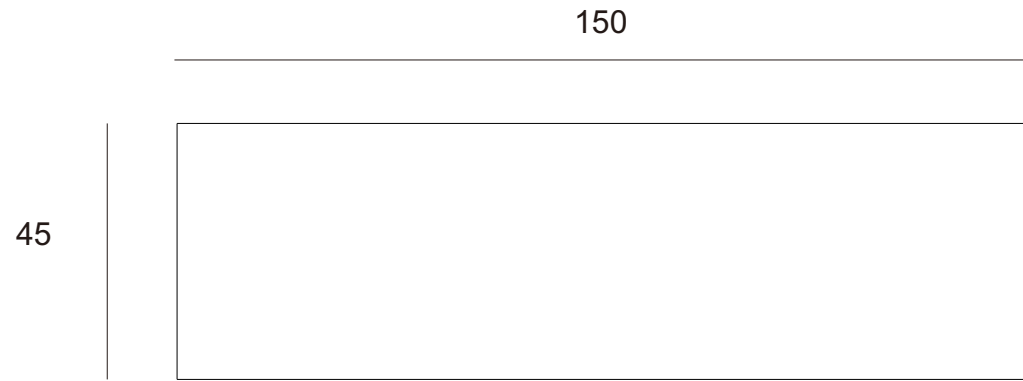


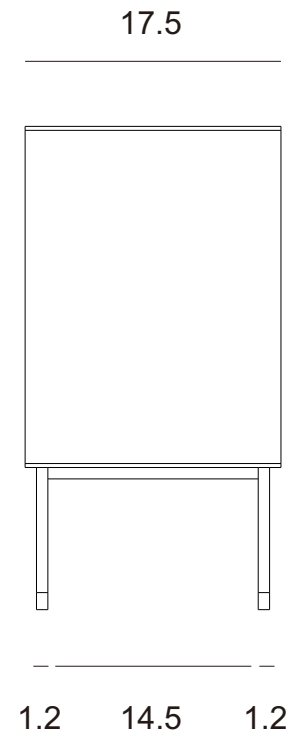
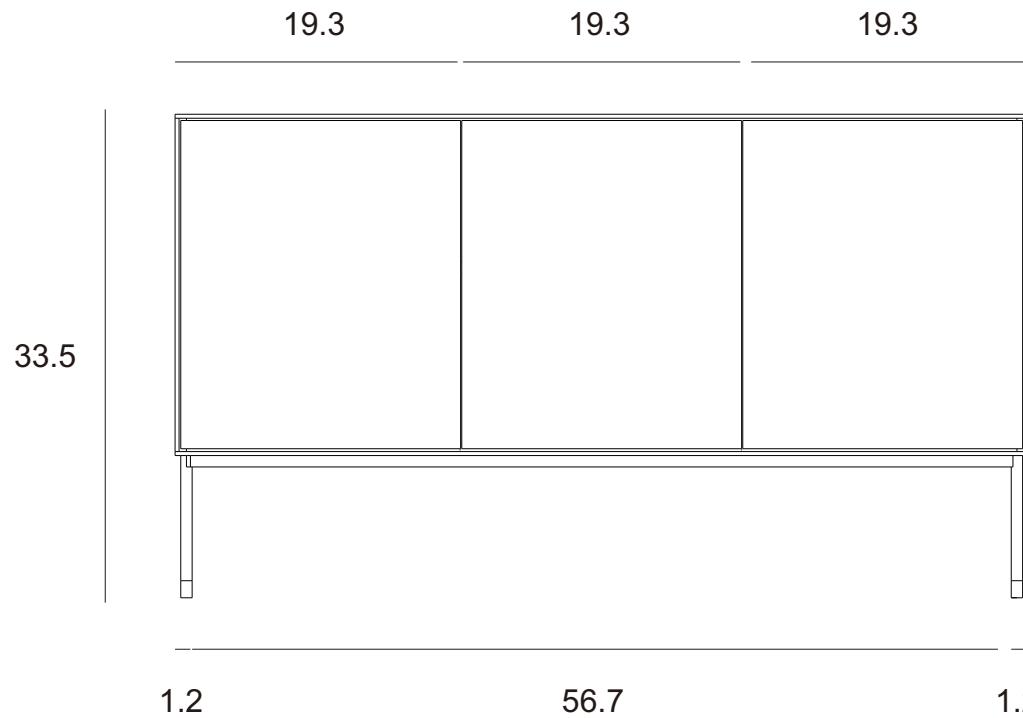
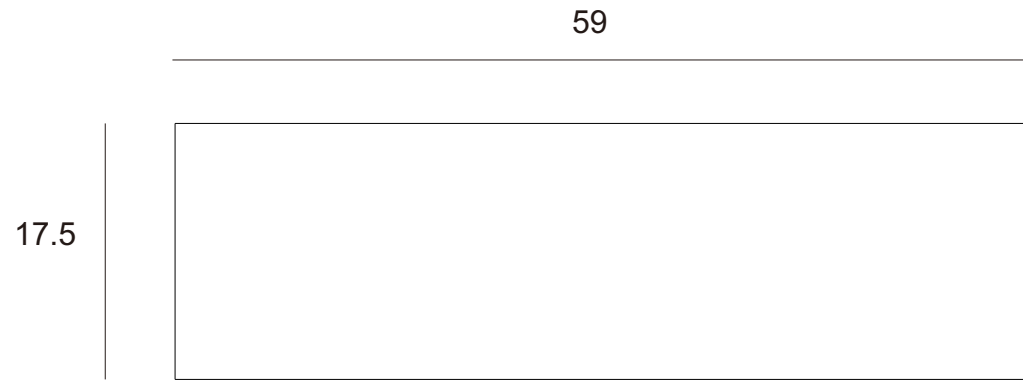
*Ethnicraft*

Whitebird sideboard - Dimensions (cm)



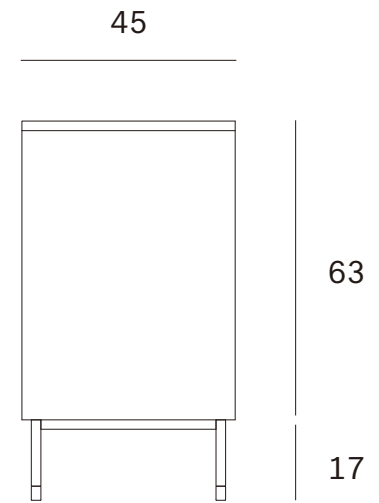
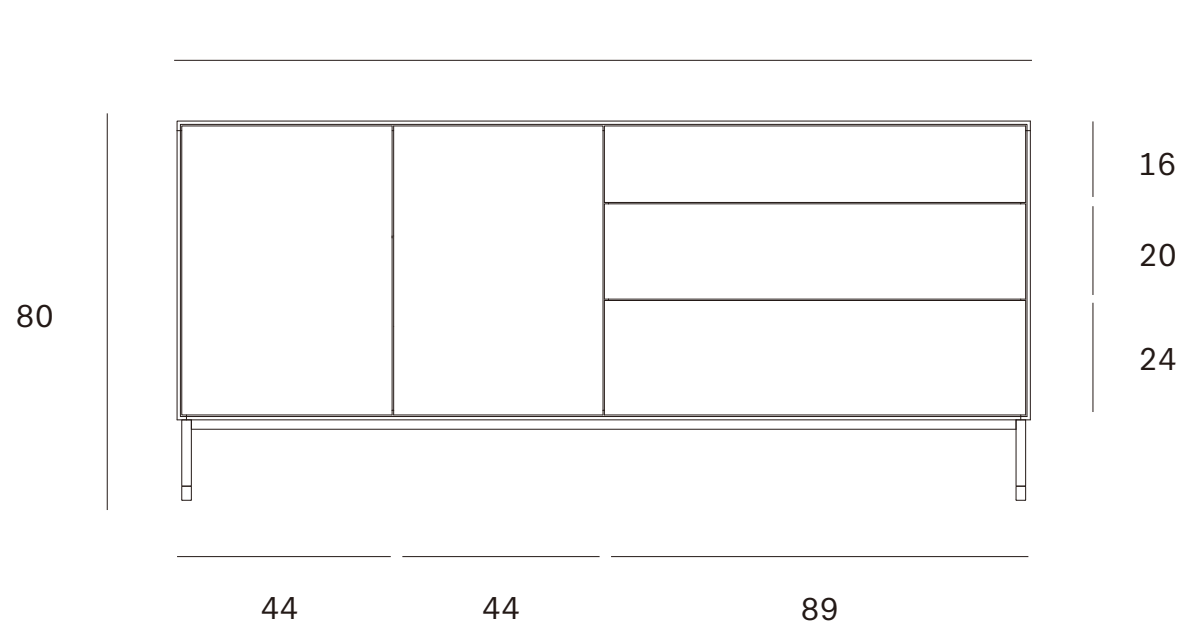
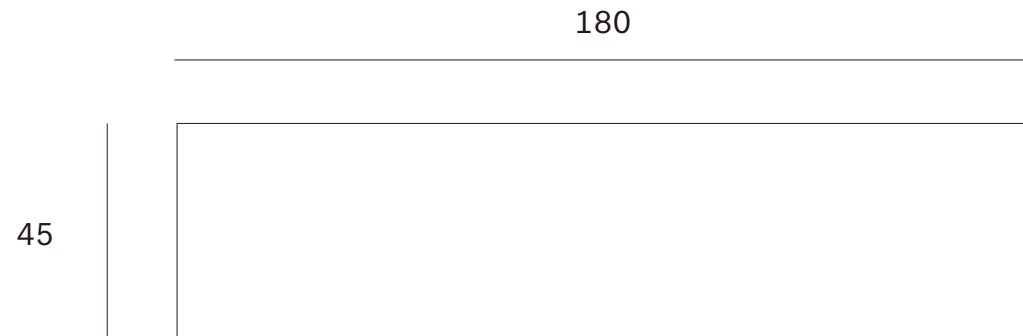
*Ethnicraft*

Whitebird sideboard - Dimensions (inches)



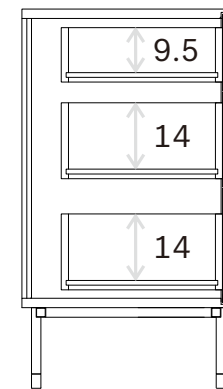
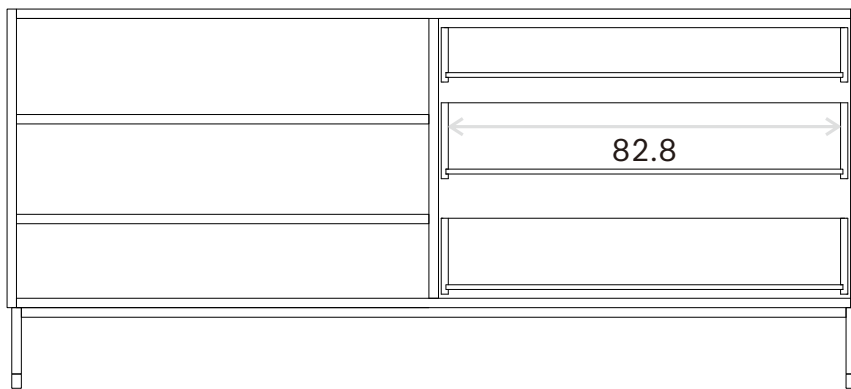
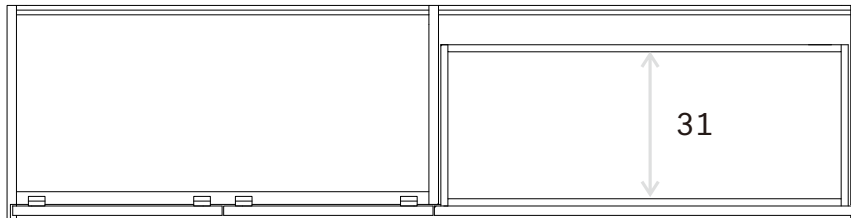
*Ethnicraft*

**Blackbird/Whitebird sideboard - Dimensions (cm)**



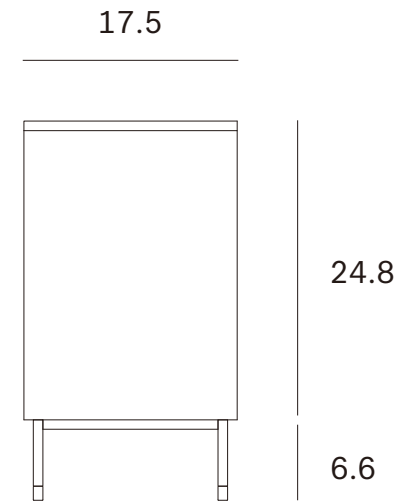
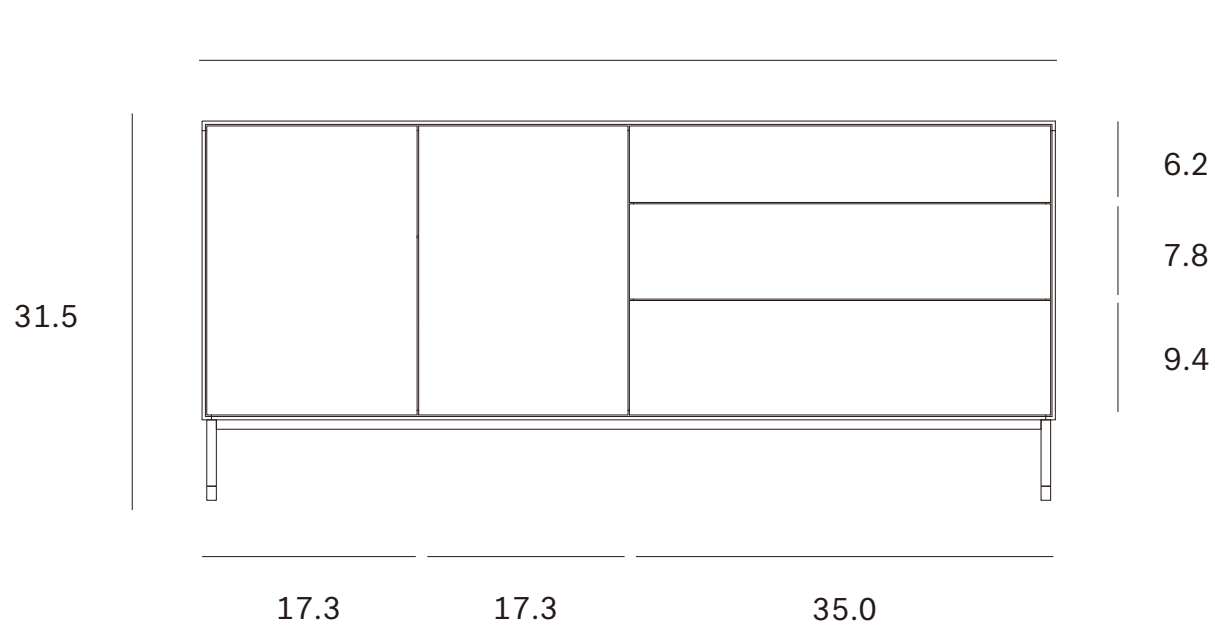
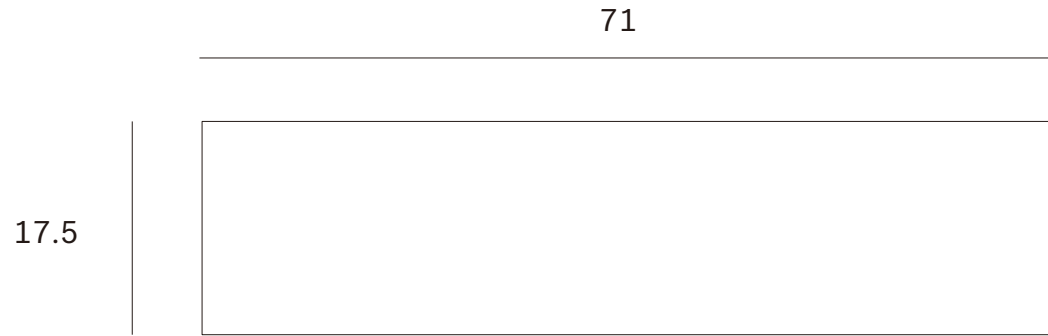
*Ethnicraft*

**Blackbird/Whitebird sideboard - Dimensions (cm)**



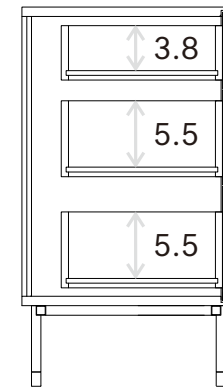
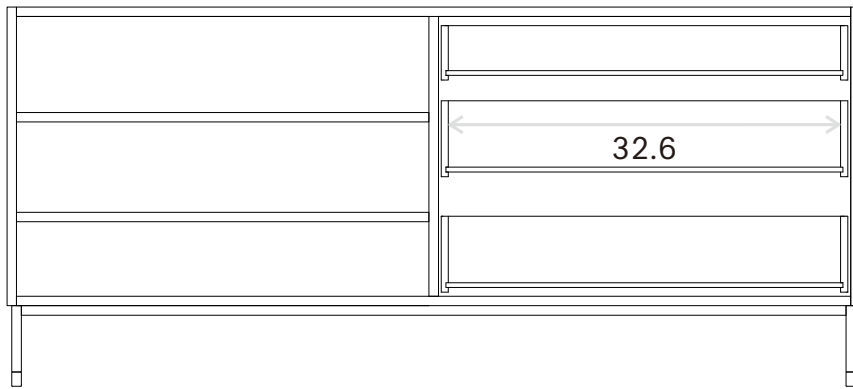
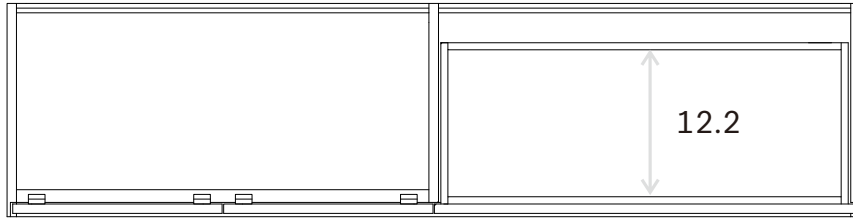
*Ethnicraft*

**Blackbird/Whitebird sideboard - Dimensions (inches)**



*Ethnicraft*

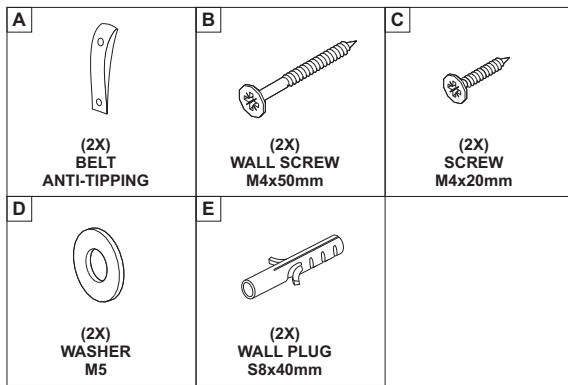
**Blackbird/Whitebird sideboard - Dimensions (inches)**



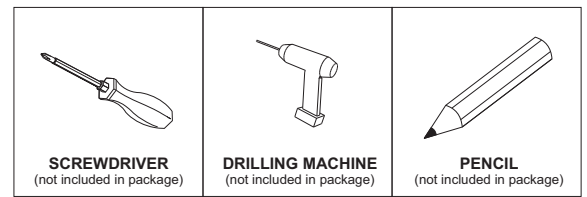
# Ethnicraft

## ASSEMBLY INSTRUCTION FOR ANTI-TIPPING INSTALLATION

### HARDWARE ENCLOSED



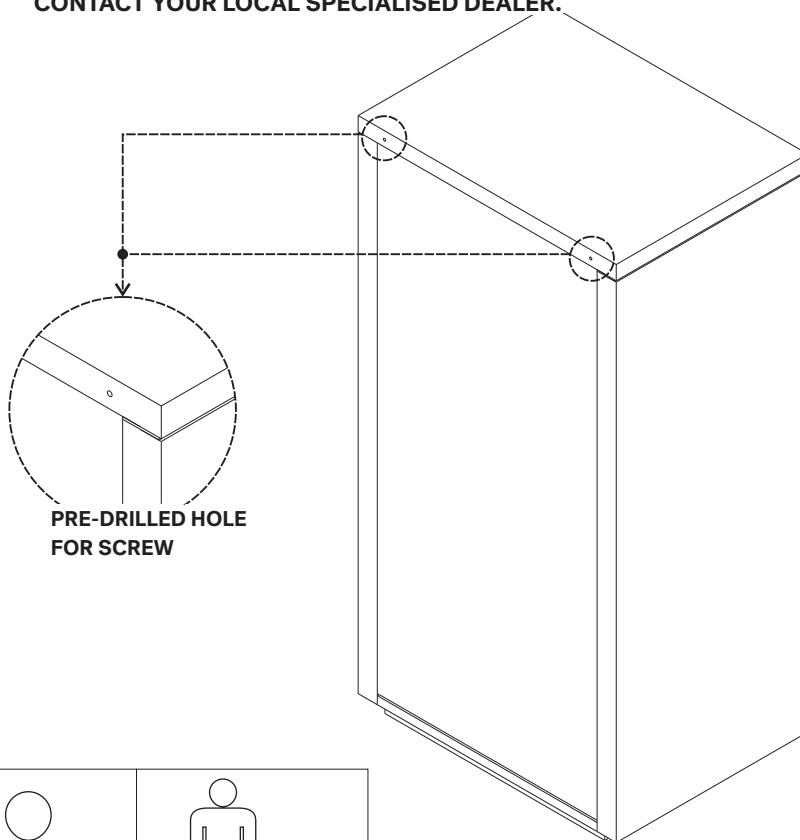
### TOOLS



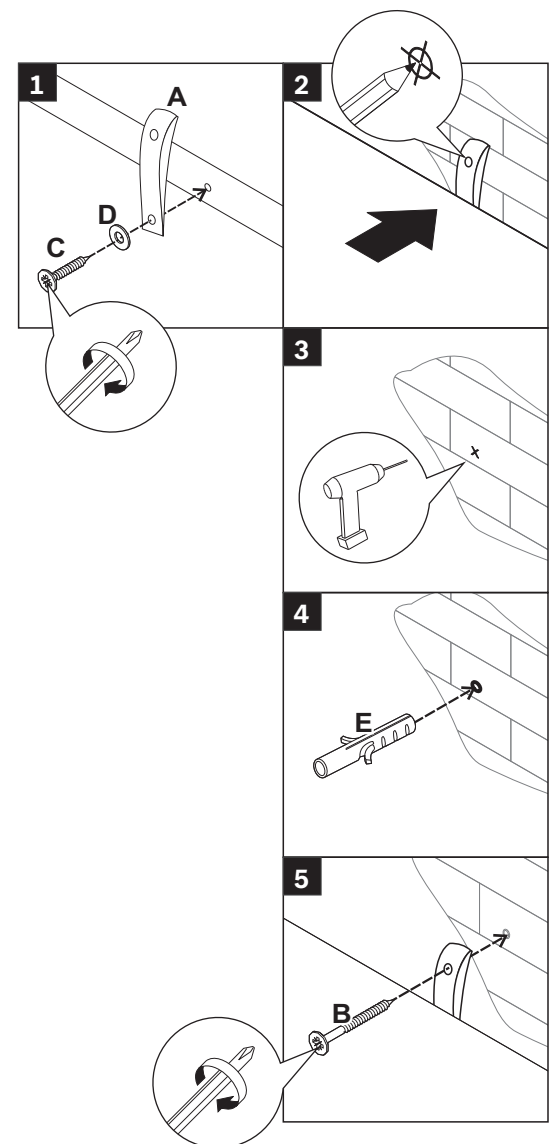
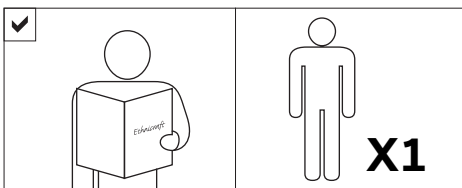
### INSTALLING ANTI-TIPPING SYSTEM



AS WALL MATERIALS VARY,  
THE SCREW INCLUDED ARE FOR BRICK WALL.  
FOR ADVICE ON SUITABLE SCREW SYSTEMS,  
CONTACT YOUR LOCAL SPECIALISED DEALER.



### NOTICE

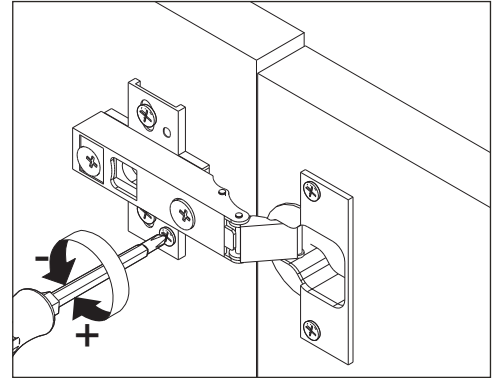
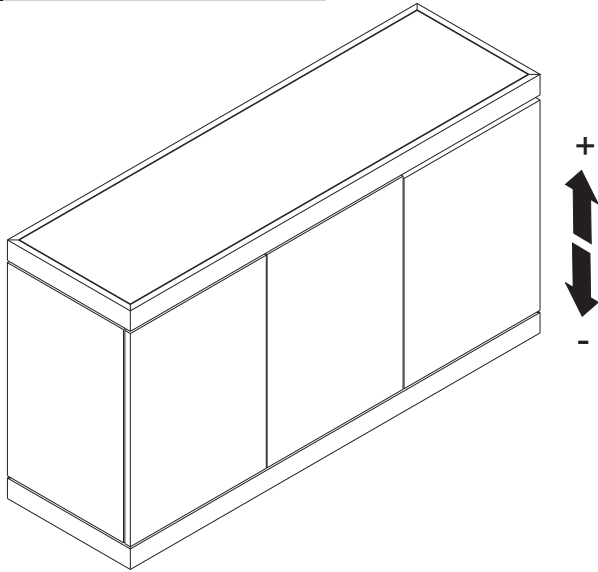


### INSTRUCTION

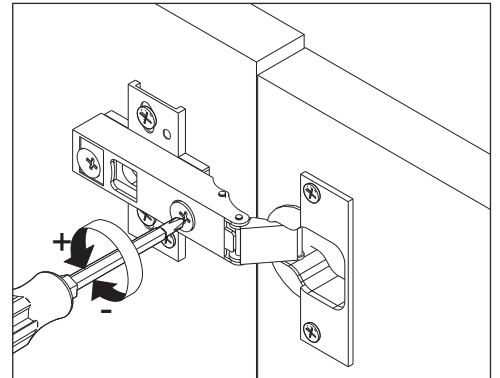
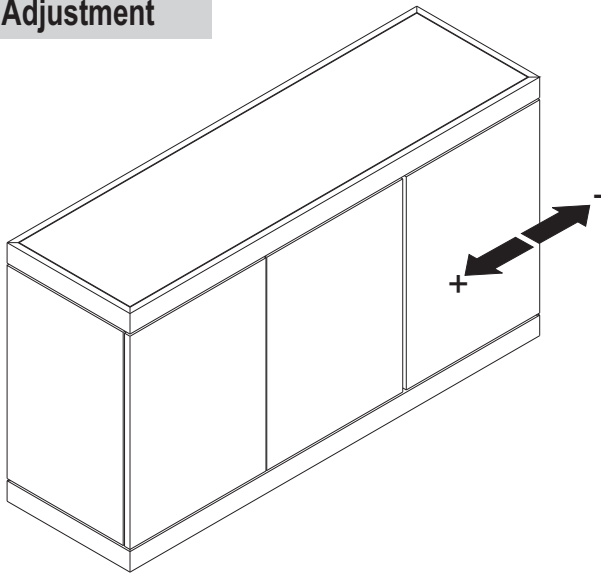
1. Install anti-tipping belt (A), washer (D) with M4x20mm screw (C) into the pre-drilled hole on the top back frame of the item.
2. Using a 1/4" diameter drill bit, drill the wall at the same level as the anti-tipping belt (A) on the item. Install the wall plug (E) into the hole.
3. Connect the anti-tipping belt (A) with wall screw (B) into the wall plug (E)

ASSEMBLY INSTRUCTION FOR HINGE ADJUSTMENT

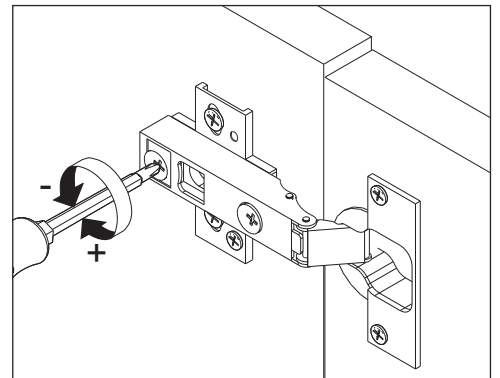
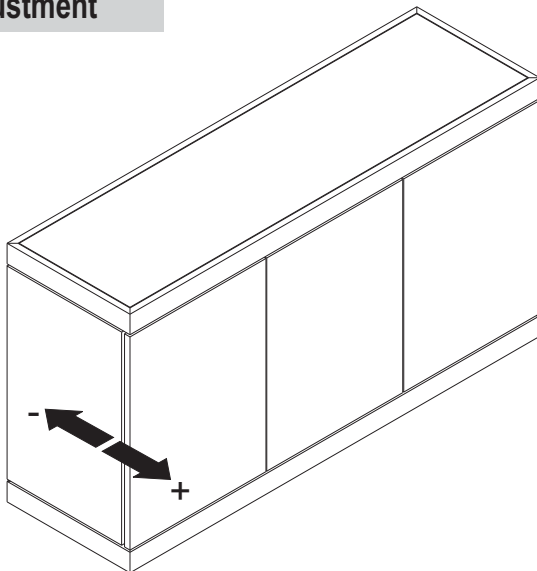
**A. Vertical Adjustment**



**B. Horizontal Adjustment**



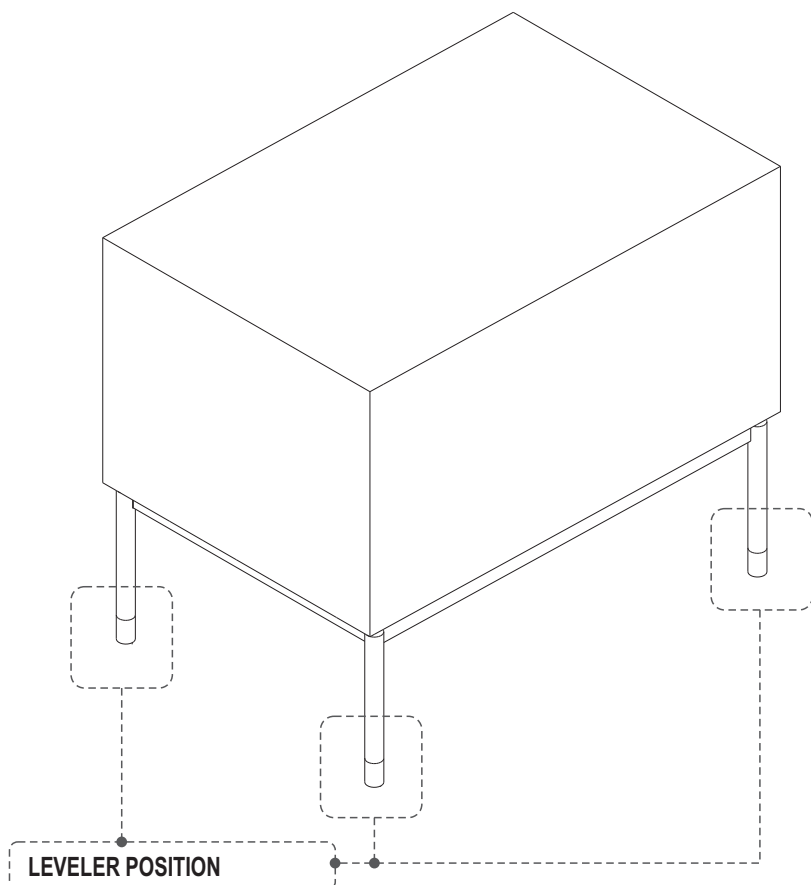
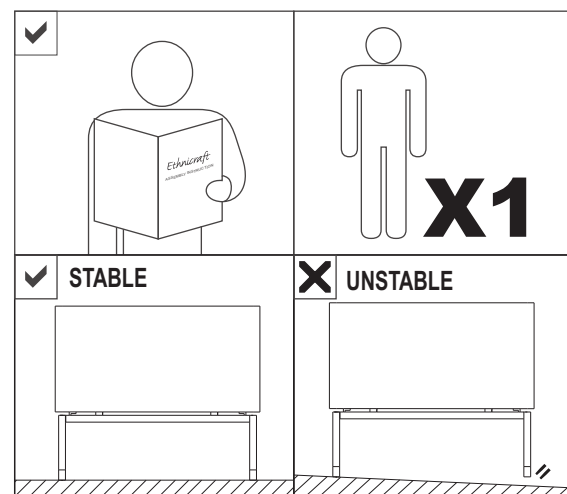
**C. Depth Adjustment**



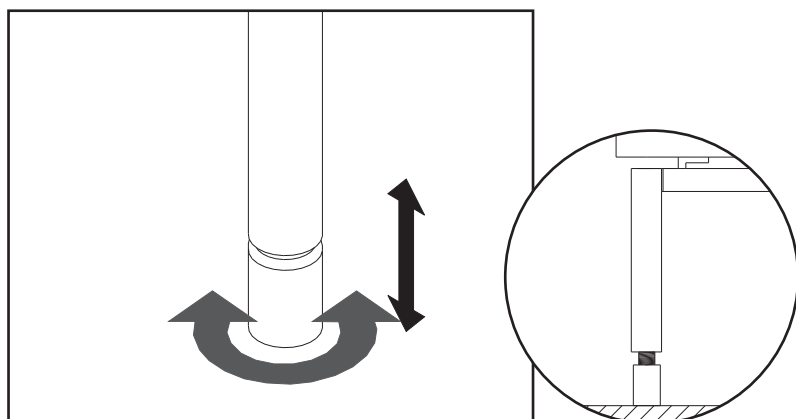
# Ethnicraft

## ASSEMBLY INSTRUCTION FOR ADJUSTING LEGS LEVELER

### NOTICE



### ADJUST LEVELER

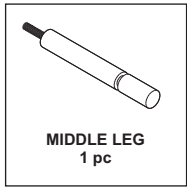


**NOTE :**  
**THIS IS A COMPULSORY ACTION TO MAKE SURE**  
**ALL OF THE METAL LEGS TOUCH THE GROUND!**

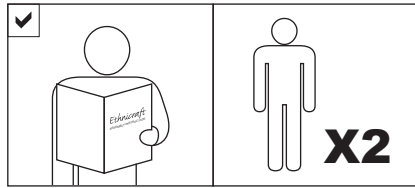
# Ethnicraft

## ASSEMBLY INSTRUCTION FOR THE MIDDLE LEG

### HARDWARE



### NOTICE



### SYMBOLS



DIRECTION

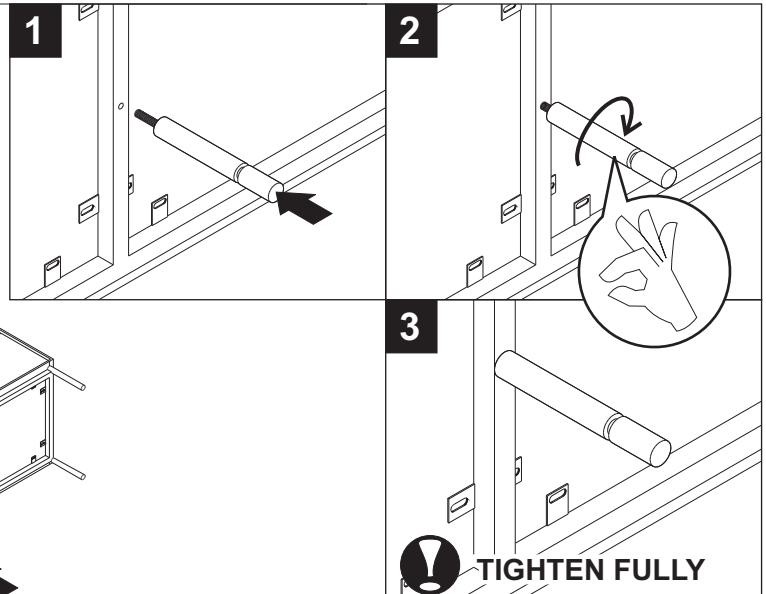
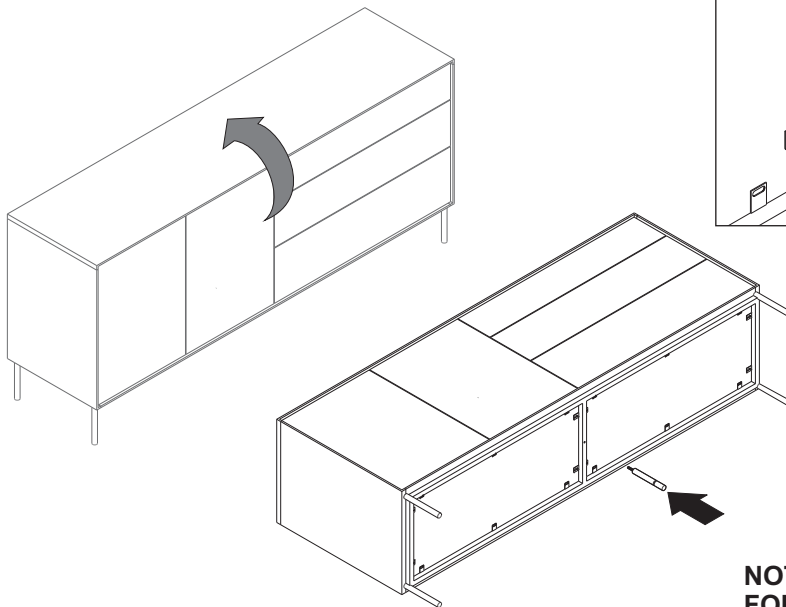


NUMBER OF  
PERSON NEEDED



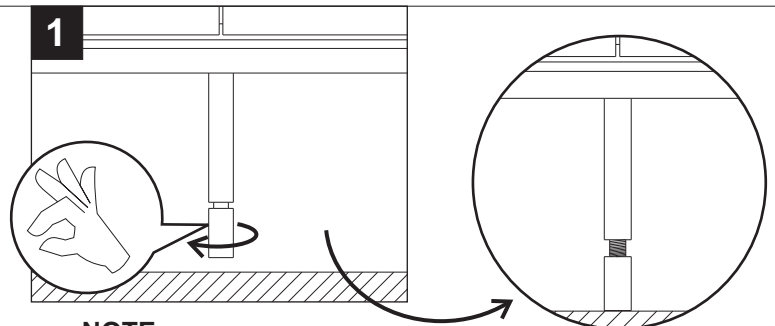
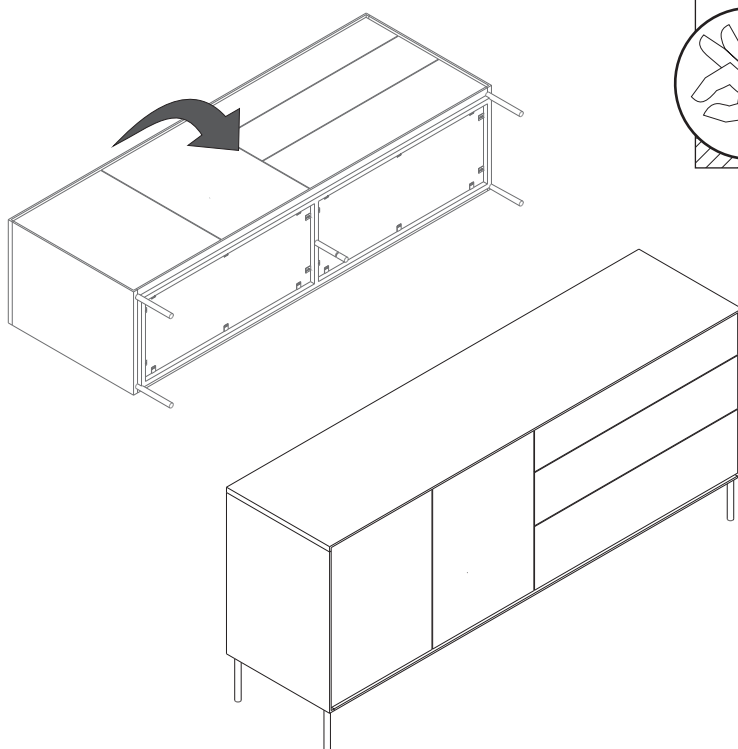
USE HAND

### A. INSTALLING THE MIDDLE LEG



**NOTE :**  
FOR OPTIMAL SUPPORT WE RECOMMEND TO INSTALL  
THE MIDDLE LEG!

### B. LEVELLING THE MIDDLE LEG



**NOTE :**  
MAKE SURE THE MIDDLE LEG IS EXTENDED UNTIL IT  
TOUCHES THE GROUND!