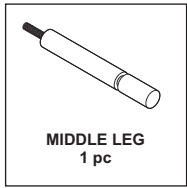


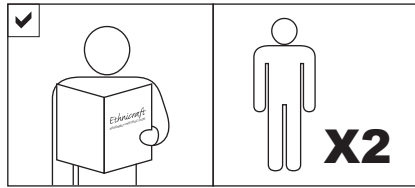
Ethnicraft

ASSEMBLY INSTRUCTION FOR THE MIDDLE LEG

HARDWARE



NOTICE



SYMBOLS



DIRECTION

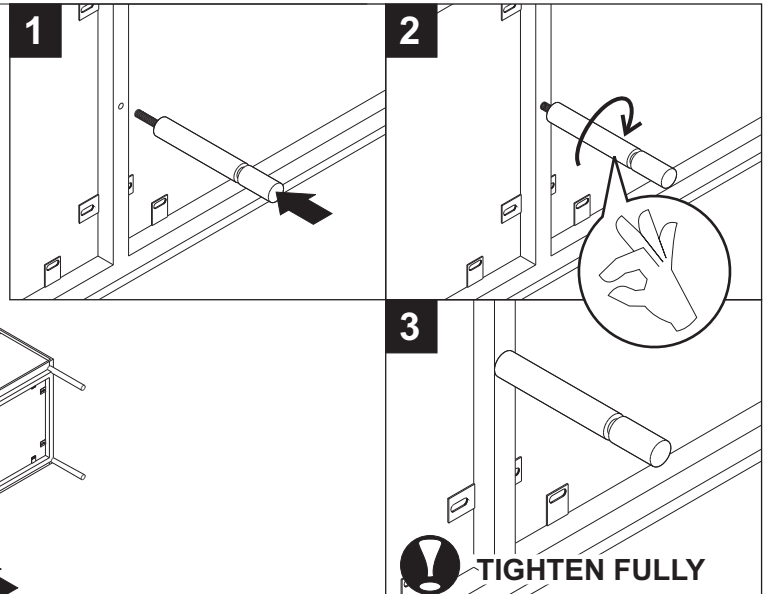
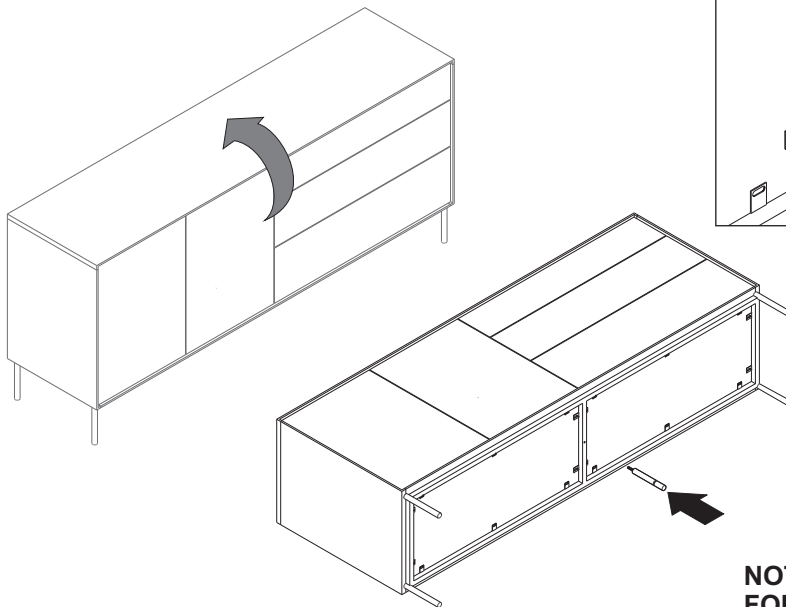


NUMBER OF
PERSON NEEDED



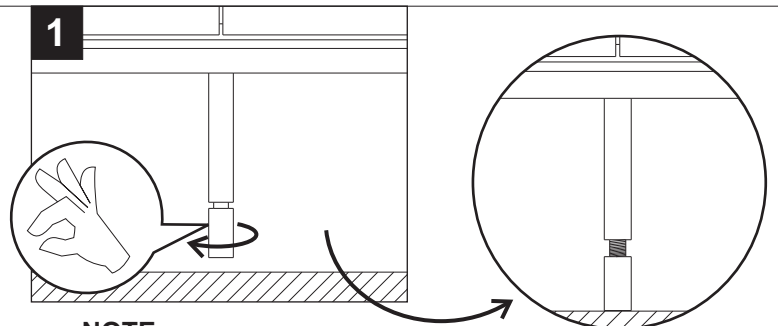
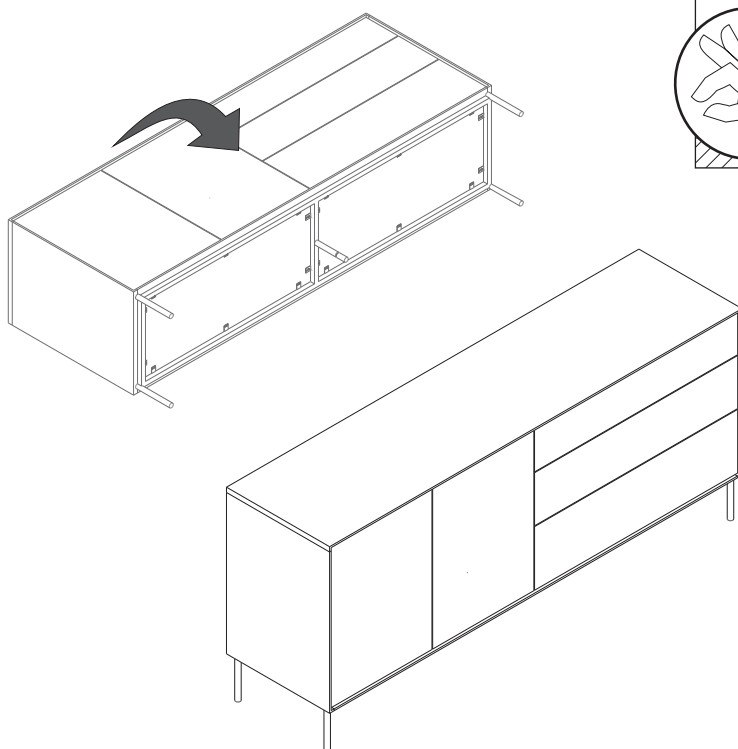
USE HAND

A. INSTALLING THE MIDDLE LEG



NOTE :
FOR OPTIMAL SUPPORT WE RECOMMEND TO INSTALL
THE MIDDLE LEG!

B. LEVELLING THE MIDDLE LEG



NOTE :
MAKE SURE THE MIDDLE LEG IS EXTENDED UNTIL IT
TOUCHES THE GROUND!