
PANTHELLA 320 TABLE LAMP

Designed by Verner Panton



Technical specifications

Materials

Shade: Injection-molded acrylic or deep-drawn steel.

Base and housing: Cast aluminum.

Diffuser: Injection-molded opal pmma.

Finishes

White opal acrylic shade with white stand.

Gray opal acrylic shade with high-luster chrome stand.

High-luster chrome shade and stand.

Brass metallized shade and stand.

Mounting

Cable type: White for white and brass finishes; Black for other finishes. Cable length: 8'. Switch: In-line on/off. Diffuser with bayonet lock. For mounting instructions, see download section on the product detail page.

Information

Electrical:

System Wattage: 10W

Delivered lumens: 270 - 367 lm

Efficacy: 27 - 36 lm/W

Certifications:

cULus, Dry Location

Protection class IP20

Color Rendering: Ra \geq 90

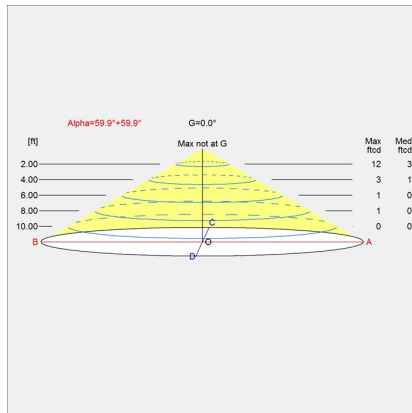
Actual performance dependent upon screw-base lamp used. For the E-socket product variants, bulbs are not included. LED light source is part of the product.

PANTHELLA 320 TABLE LAMP

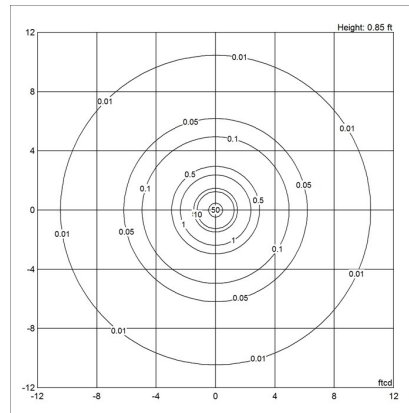
Designed by Verner Panton

Light distribution diagrams

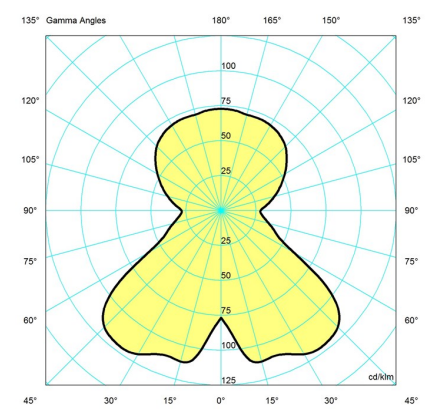
CARTESIAN



ISOLUX



POLAR



Variant Options

For particular variant options, please check our online Product Variants Configurator on the product detail page.

VARIANT NO.	LIGHT SOURCE	VOLTAGE/FRQ	LUMEN	FEATURES	CABLE
5744908405	1x7.5W G16.5/candelabra		367	-	Black cord
5744918000	1x10W G16.5/candelabra	120V	367	-	White cord
5744918055	1x10W G16.5/candelabra	120V	277	-	Black cord
5744918107	1x10W G16.5/candelabra	120V	270	-	White cord

Variants

VARIANT NUMBER	COLOR, RAL	W / H / L (IN) / W (LB)
5744908405	GREY OPAL ACRYL	12.6 / 17.2 / 12.6 IN / 3.3 LB
5744918000	WHT OPAL ACRYL, 970	12.6 / 17.2 / 12.6 IN / 3.3 LB
5744918055	HIGH LUSTRE CHROME PLATED	12.6 / 17.2 / 12.6 IN / 3.3 LB
5744918107	BRASS METALLISED	12.6 / 17.2 / 12.6 IN / 3.3 LB