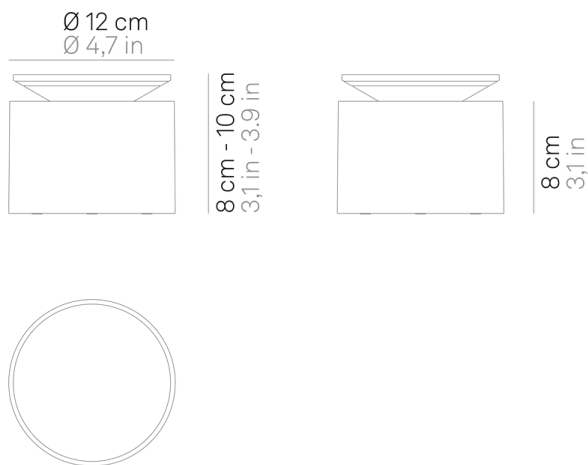


# PushUp\_Table Lamp



- Battery-powered portable LED table lamp
- Powder-coated die-cast aluminum body
- Polycarbonate diffuser
- Suitable for indoor or outdoor use (IP54 Rating)
- ETL listed
- Press top of lamp to lift up diffuser and turn light on; press down again to turn off
- Hidden base control button offers on/off touch-dimming and color temperature selection (2200K, 2700K, 3000K)
- Rechargeable and replaceable Lithium-ion battery pack
- Light lasts approx. 11/12 hours; charging time approx. 5/6 hours
- Contact charging base included



LED dimmable IP54

## LD1050

White	B3	Sand	S3
Dark Gray	N3	Steel Blue	Y3
Rust	R3	Sage	G3
Sunflower	H3		



**DESIGNED IN ITALY BY ZAFFERANO SRL, MADE IN PRC,  
DISTRIBUTED BY ZAFFERANO AMERICA**

Zafferano America - 301 Penhorn Avenue, Unit 5  
Secaucus, NJ 07094

www.zafferanoamerica.com  
orders@zafferanoamerica.com  
888-744-5277

**zafferano**

# PushUp\_Table Lamp

## Lighting specifications

source	LED
type	SMD
total power	2.2 W
power LED	2.2 W
color temperature	2200 - 2700 - 3000 K
lumen lamp	105 - 127 - 134 lm
lumen LED	207 - 235 - 248 lm
beam angle	45°
CRI	> 80
class	F
dimmer	TOUCH DIMMER
motion sensor	NO

## Electrical specifications

class	3
supply voltage	5Vdc max.1A
battery type	1 cell li-ion battery pack mod. 18650 3.7v - 2200 ma/h
battery life	approximately 11/12 h. (at full charge)
charging time	5/6 h.

## ACCESSORIES

### LD0350RP

#### 6-Lamp Charging Platform



14.6" • 20" • 2.3" • 30W  
IP20 • 100-240V • 50/60 Hz



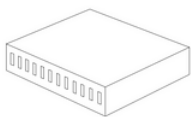
### LD1050RB

#### Replacement Charger



### LD0340RA-12

#### 12-Lamp USB-A Charging Hub



5" • 6" • 1.3" • 150W  
IP20 • 100-240V • 50/60 Hz

