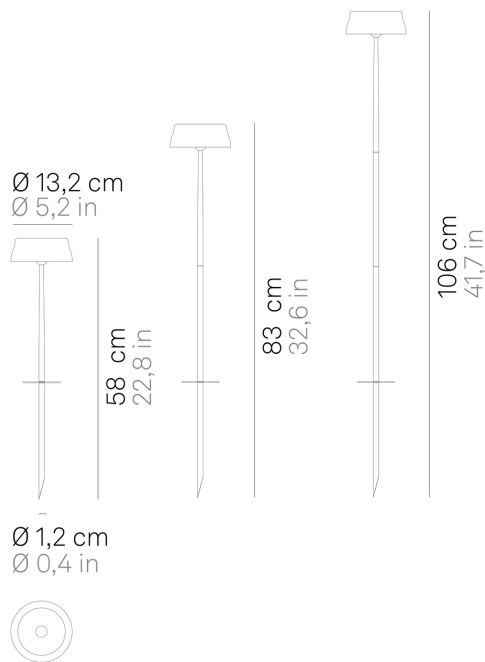


Sister Light Wi-Fi_Garden Lamp





- Battery-powered portable LED garden lamp
- Classic design provides direct illumination
- Brushed anodized or painted aluminum body
- Prismatic polycarbonate diffuser
- Can be controlled via Wi-Fi using the Zafferano Lighting app
- Suitable for indoor or outdoor use (IP65 rating)
- Impact resistant (IK07) and salt spray resistant (1500h)
- 4-step touch dimming (100%, 60%, 30%, 6%)
- 4 color temperature selection: 2200K/2700K/3000/4000K
- Rechargeable and replaceable Lithium-ion battery pack
- Light lasts approx. 8-36 hours (depending on brightness level); charging time approximately 5 hours
- Contact charging base included



LED dimmable IP65

LD1083

	Anodized Green	V3		Pearl White	B3
	Anodized Copper	R3		Pearl Black	D3
	Anodized Gold	O3		Ivory	I3



**DESIGNED IN ITALY BY ZAFFERANO SRL, MADE IN PRC,
DISTRIBUTED BY ZAFFERANO AMERICA**

Zafferano America - 301 Penhorn Avenue, Unit 5
Secaucus, NJ 07094

www.zafferanoamerica.com
orders@zafferanoamerica.com
888-744-5277

zafferano

Sister Light Wi-Fi_Garden Lamp

Lighting specifications

source	LED
type	SMD
total power	3.2 W
power LED	2.3 W
color temperature	2200 - 2700 - 3000 - 4000K
lumen lamp	180 - 200 - 214 - 262 lm
lumen LED	250 - 275 - 296 - 338 lm
beam angle	100°
CRI	> 90
class	D
dimmer	TOUCH DIMMER
motion sensor	NO

Electrical specifications

class	3
supply voltage	5Vdc max.1A
battery type	3 cell li-ion battery pack mod. 18650 3.7v - 2200 ma/h
battery life	approximately 8-36 h. (depending on brightness level)
charging time	5 h.

ACCESSORIES

LD0350RP

6-Lamp Charging Platform



14.6" • 20" • 2.3" • 30W
IP20 • 100-240V • 50/60 Hz



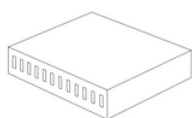
LD1080RB

Replacement Charger

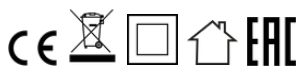


LD0340RA-12

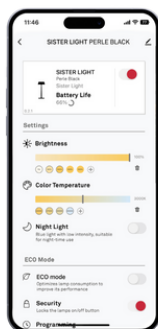
12-Lamp USB-A Charging Hub



5" • 6" • 1.3" • 150W
IP20 • 100-240V • 50/60 Hz



ZAFFERANO LIGHTING APP



- Available on Android and iOS
- Group lamps to control multiple lamps at once
- Dimmable from 1% to 100% brightness
- Tunable color temperature (2200K-4000K)
- Disable touch control (locks the touch on/off button)
- Battery monitoring
- Set on/off timer
- Night light (blue light with low intensity suitable for nighttime use)
- Eco Mode (optimizes lamp consumption to improve performance)