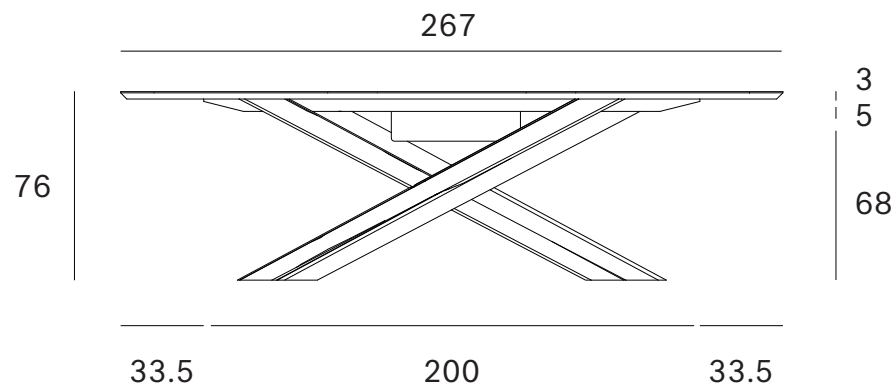
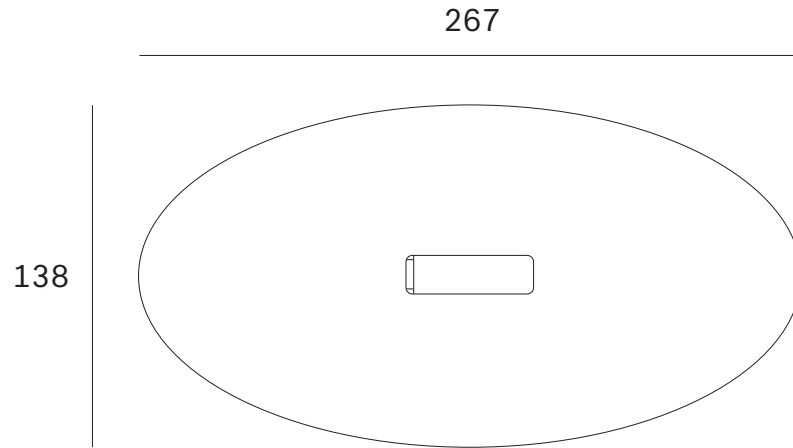
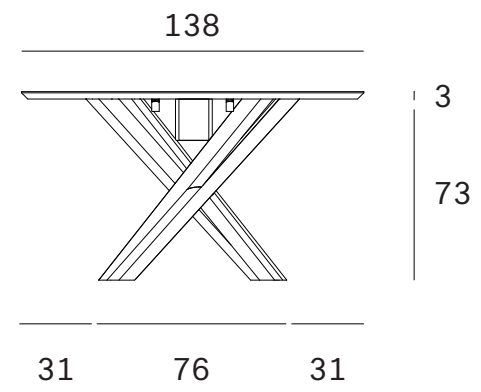


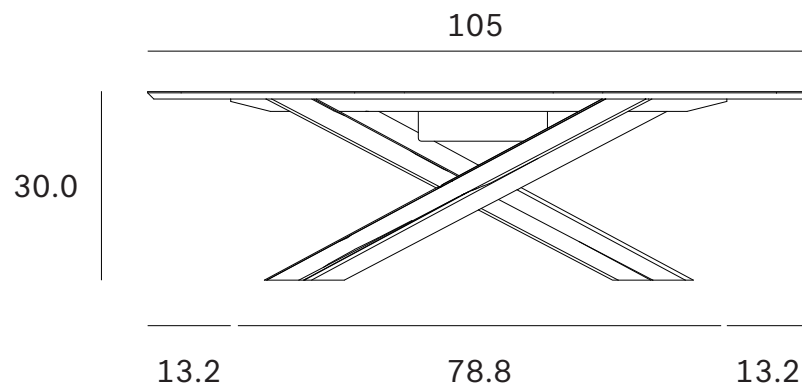
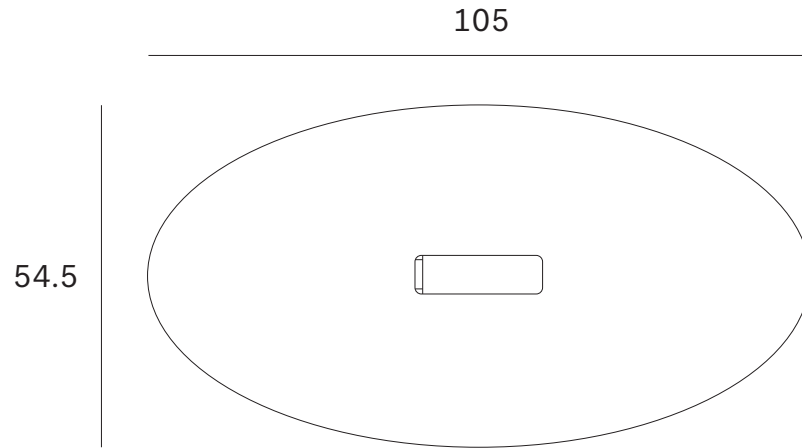
Mikado meeting table - Dimensions (cm)



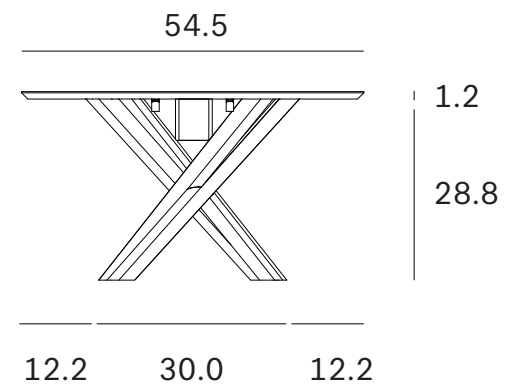
3
5
68



Mikado meeting table - Dimensions (inches)

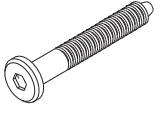
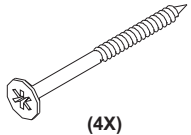

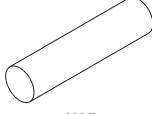
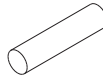


1.2
2.0
26.8

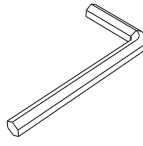
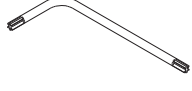
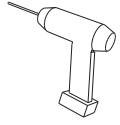


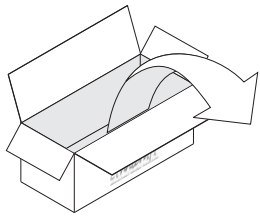
50546 OAK MIKADO DESK - WITH POWER OUTLET BOX ASSEMBLY INSTRUCTION FOR DESK INSTALLATION

HARDWARE ENCLOSED

 <p>(4X) JCBC SCREW M8 X 40mm</p>	 <p>(4X) SPAX SCREW Ø6 x 80mm</p>	 <p>(6X) SCREW M4.5 X 20mm</p>
 <p>(8X) DOWEL Ø12 X 40mm</p>	 <p>(2X) DOWEL Ø8 X 30mm</p>	

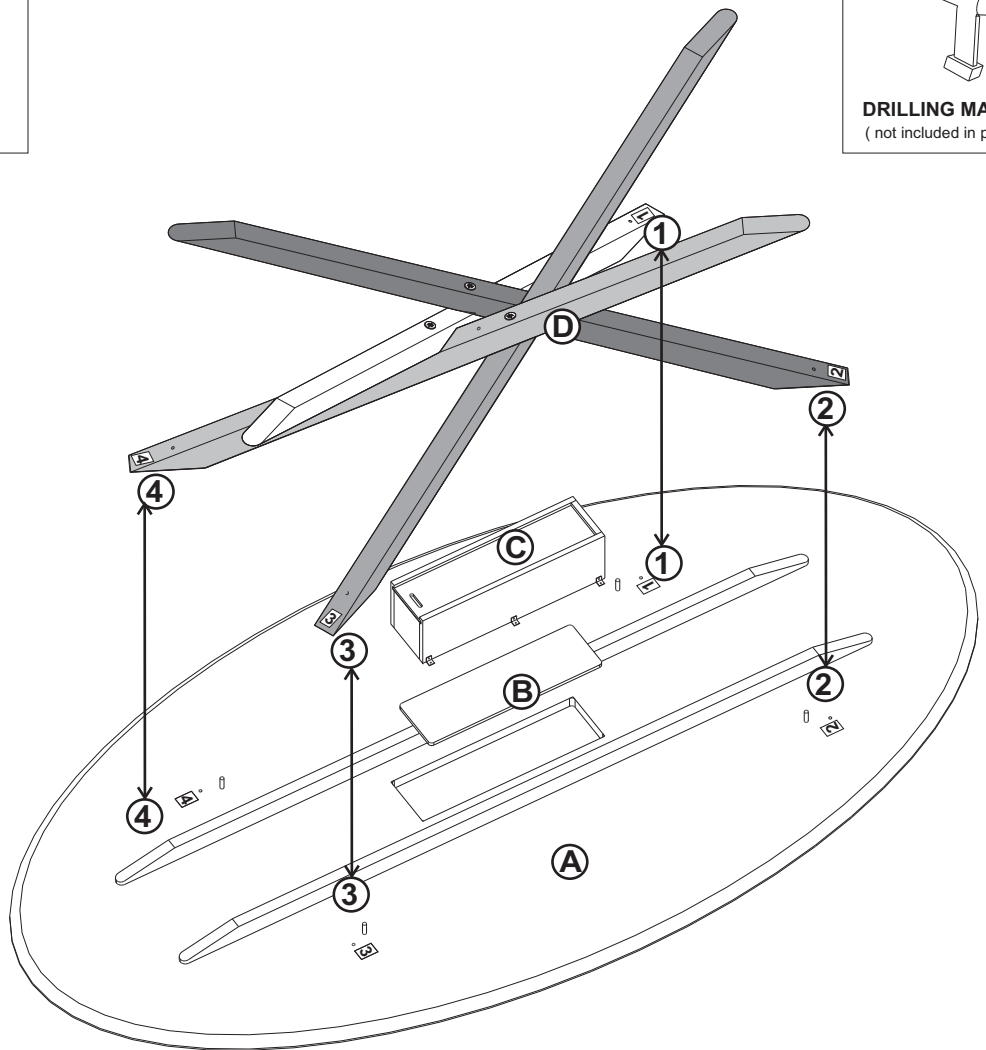
TOOLS

 <p>L KEY (included in package)</p>	 <p>TORX ALLEN KEY (included in package)</p>
 <p>DRILLING MACHINE (not included in package)</p>	

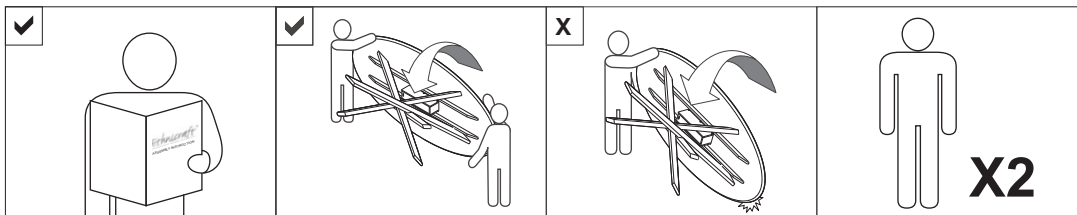


IN YOUR PACKAGE :
ASSEMBLY INSTRUCTION
HARDWARES (AS LISTED ABOVE)

PARTS TO BE INSTALLED
A. TOP PANEL 1pc
B. WOODEN COVER 1pc
C. POWER PLUG BOX 1pc
D. LEGS 4pcs



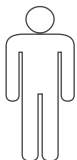
NOTICE



SYMBOLS



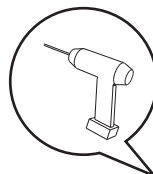
DIRECTION



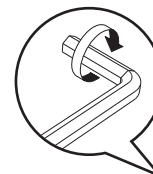
NUMBER OF PERSON NEEDED



USE HAND



USE DRILLING MACHINE TO TIGHTEN



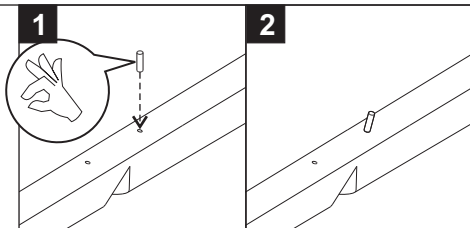
USE L KEY TO TIGHTEN



USE TORX ALLEN KEY TO TIGHTEN

50546 OAK MIKADO DESK - WITH POWER OUTLET BOX ASSEMBLY INSTRUCTION FOR DESK INSTALLATION

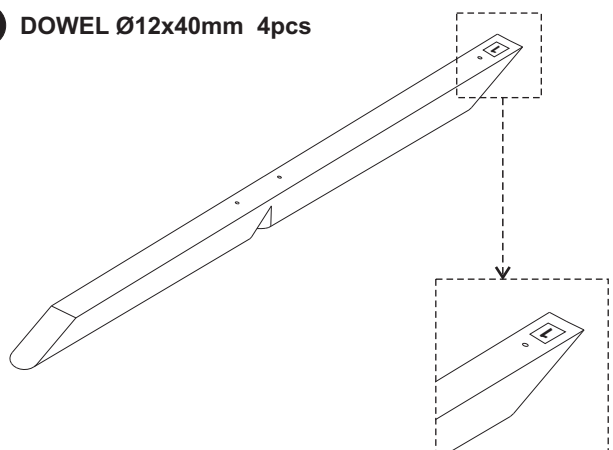
A. ASSEMBLING THE LEGS



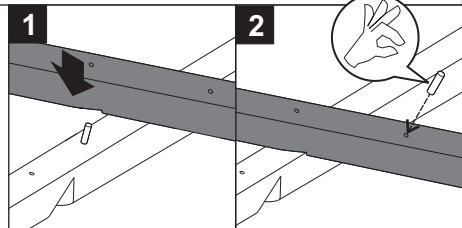
1

2

! DOWEL Ø12x40mm 4pcs

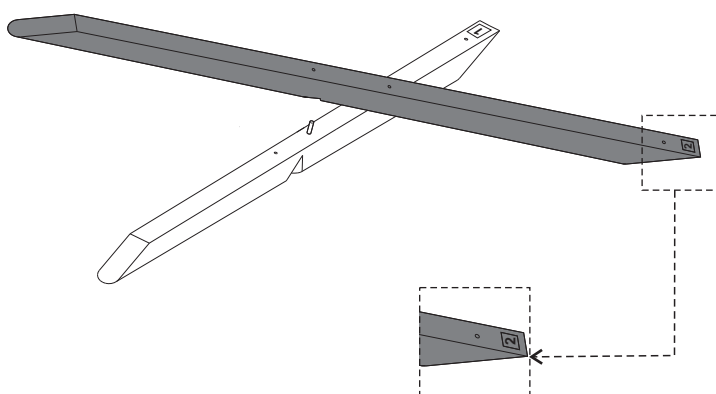


! MAKE SURE THIS SIDE DOWN

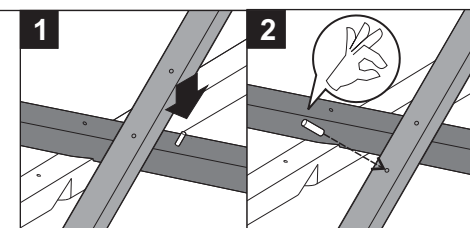


1

2

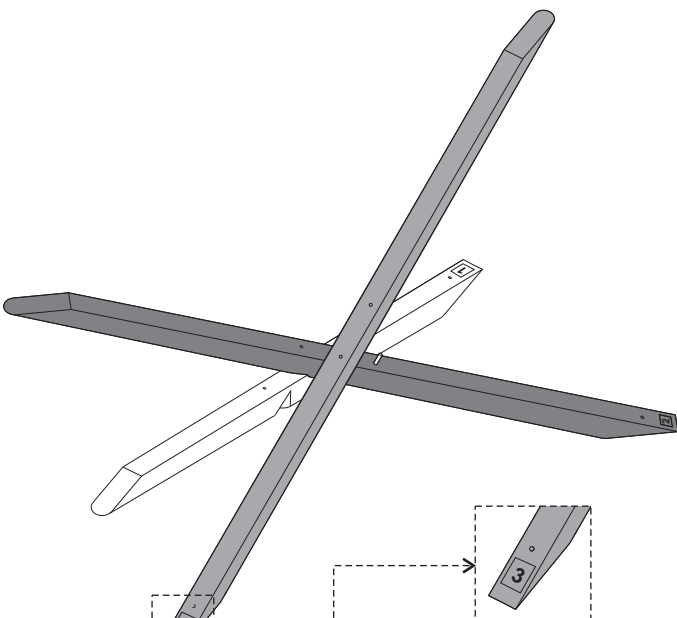


! MAKE SURE THIS SIDE DOWN

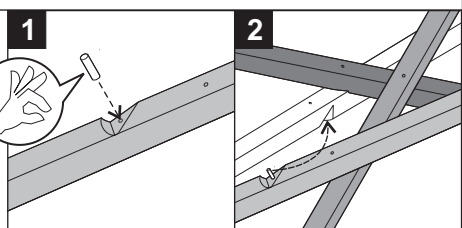


1

2

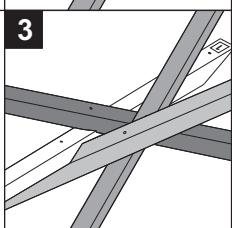


! MAKE SURE THIS SIDE DOWN

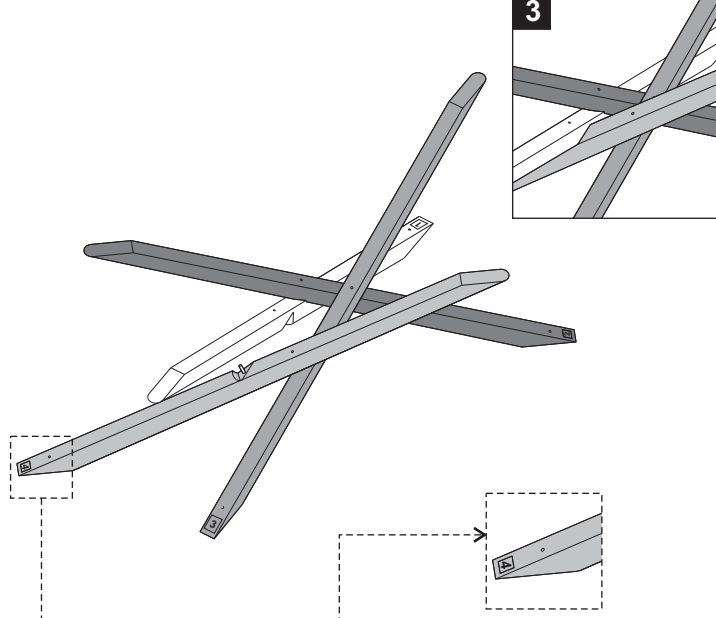


1

2

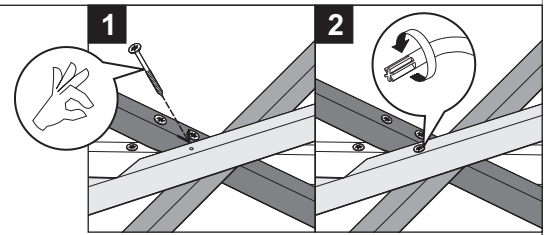


3

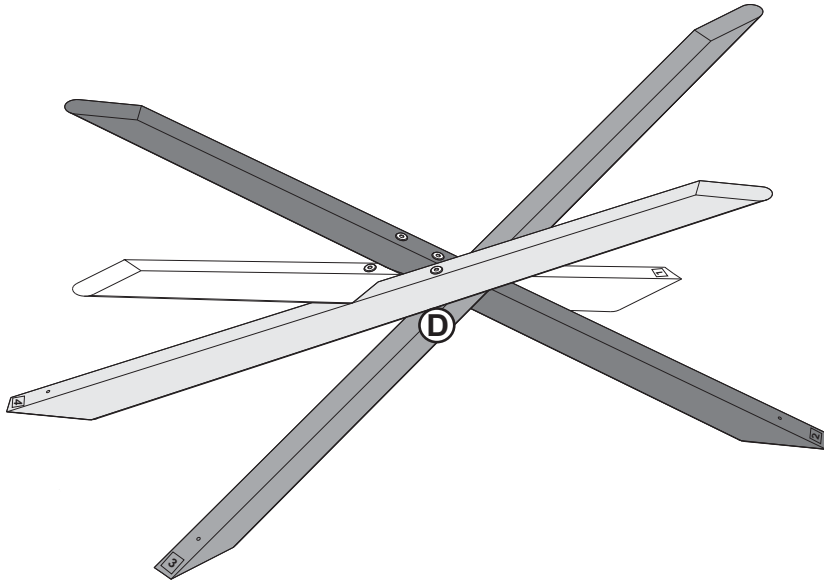


! MAKE SURE THIS SIDE DOWN

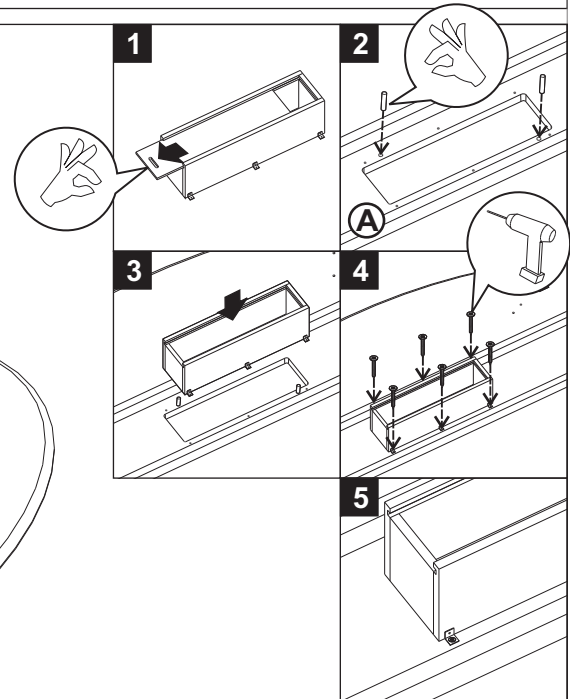
50546 OAK MIKADO DESK - WITH POWER OUTLET BOX ASSEMBLY INSTRUCTION FOR DESK INSTALLATION



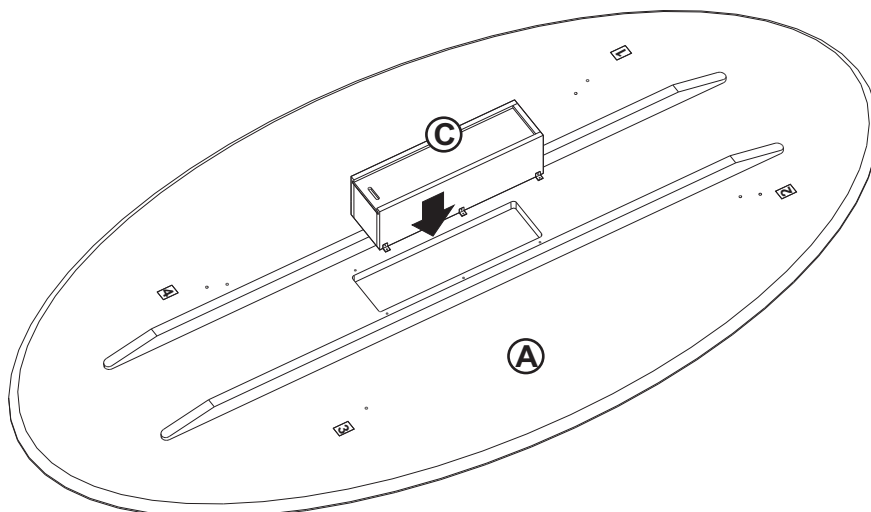
- ! - USE SPAX SCREW 4pcs
- DO NOT FULLY TIGHTEN



B. INSTALLING POWER PLUG BOX TO THE TOP PANEL

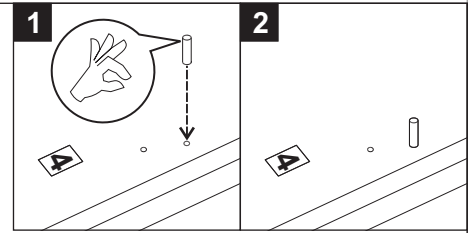


- ! - DOWEL Ø8x30mm 2pcs
- SCREW M4.5x20mm 6pcs
- TIGHTEN FULLY

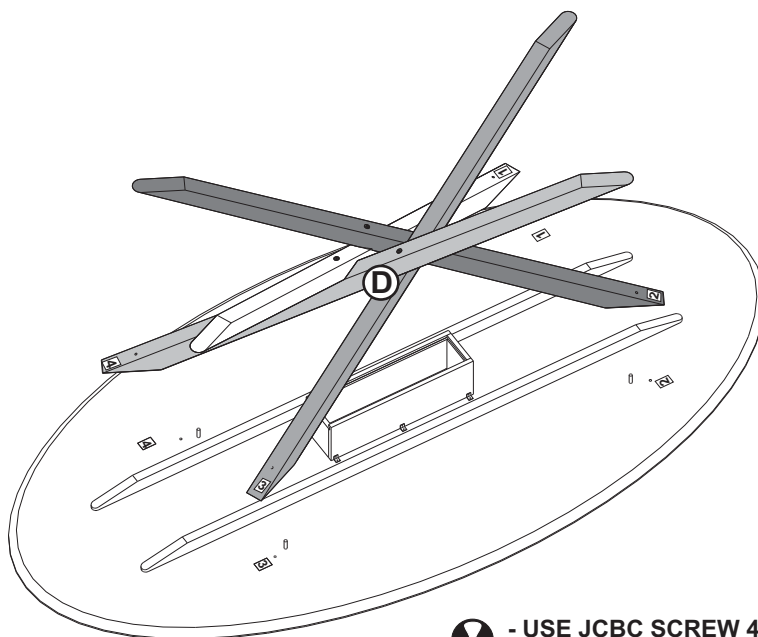
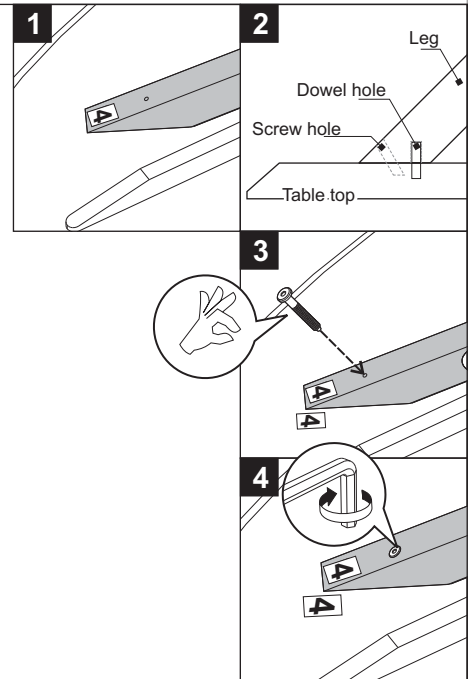
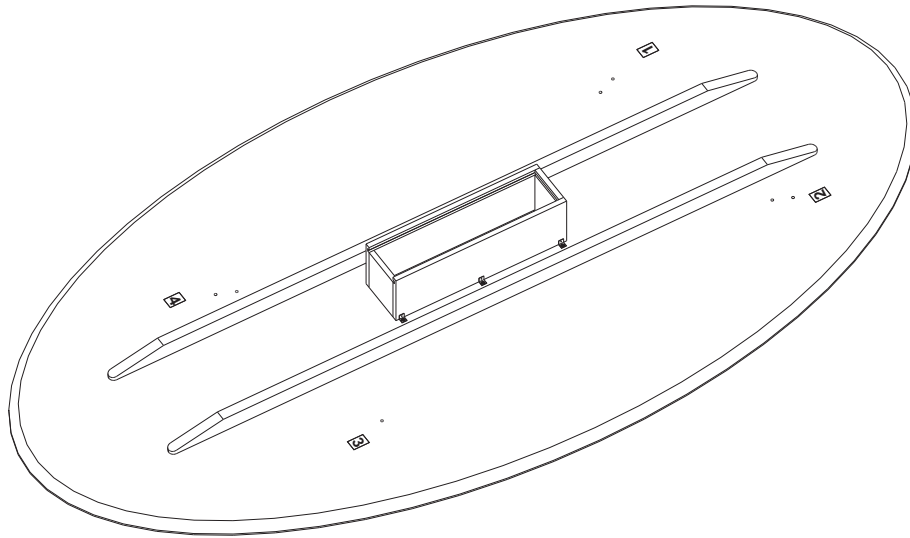


50546 OAK MIKADO DESK - WITH POWER OUTLET BOX ASSEMBLY INSTRUCTION FOR DESK INSTALLATION

C. INSTALLING THE LEGS TO THE TOP PANEL

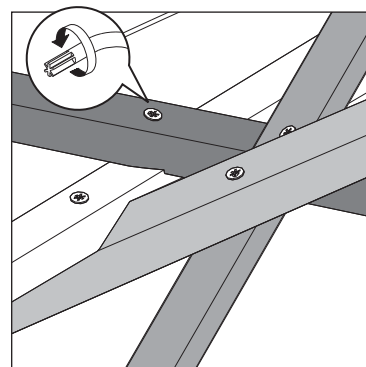
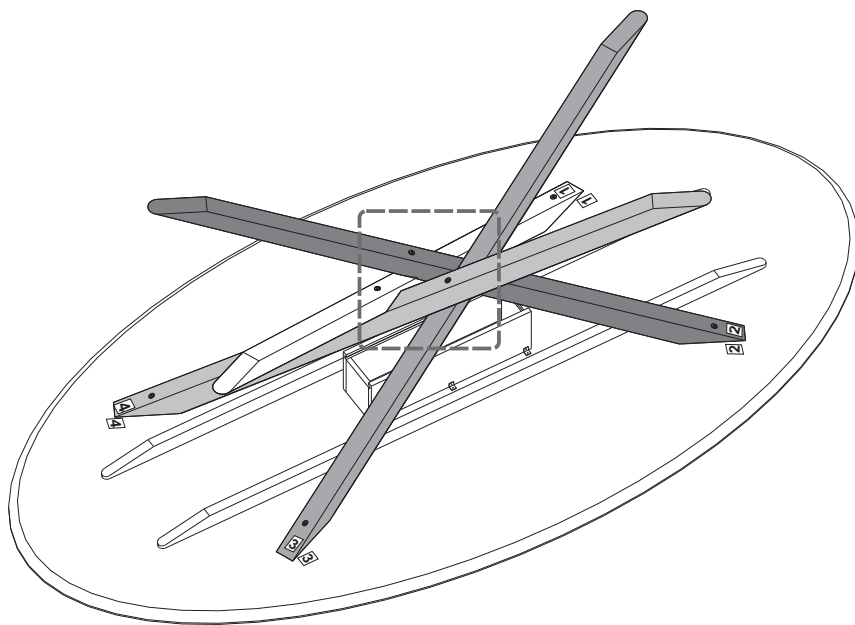


! DOWEL Ø12x40mm 4pcs



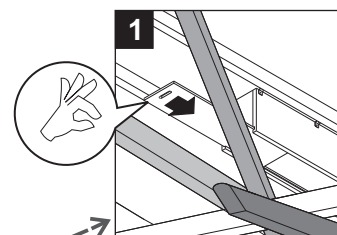
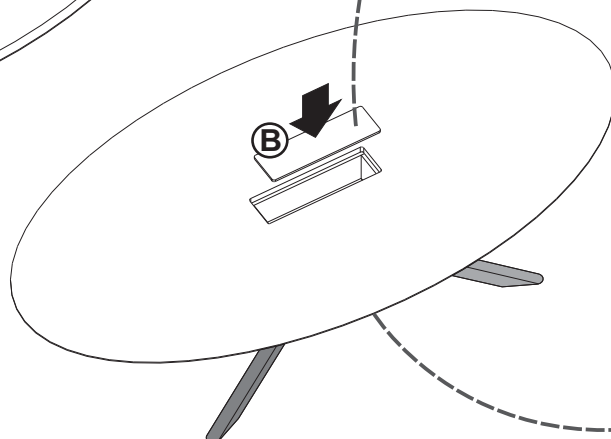
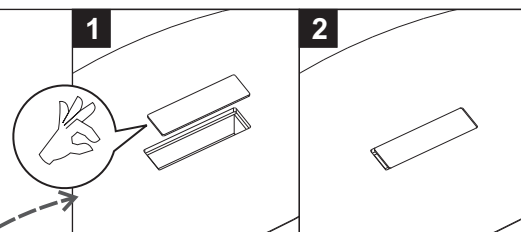
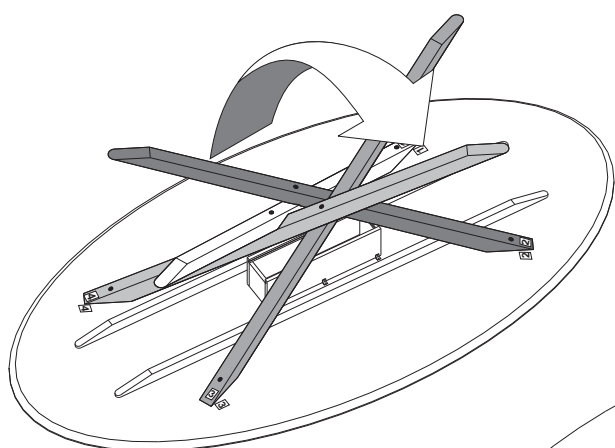
- !** - USE JCBC SCREW 4pcs
- TIGHTEN FULLY
- MAKE SURE THE NUMBERING AT THE LEGS AS WELL ON THE TABLE TOP IS CORRECT.

50546 OAK MIKADO DESK - WITH POWER OUTLET BOX ASSEMBLY INSTRUCTION FOR DESK INSTALLATION



! TIGHTEN FULLY ALL SCREWS

D. INSTALLING WOODEN COVER TO TABLE TOP



! BOTTOM SIDE