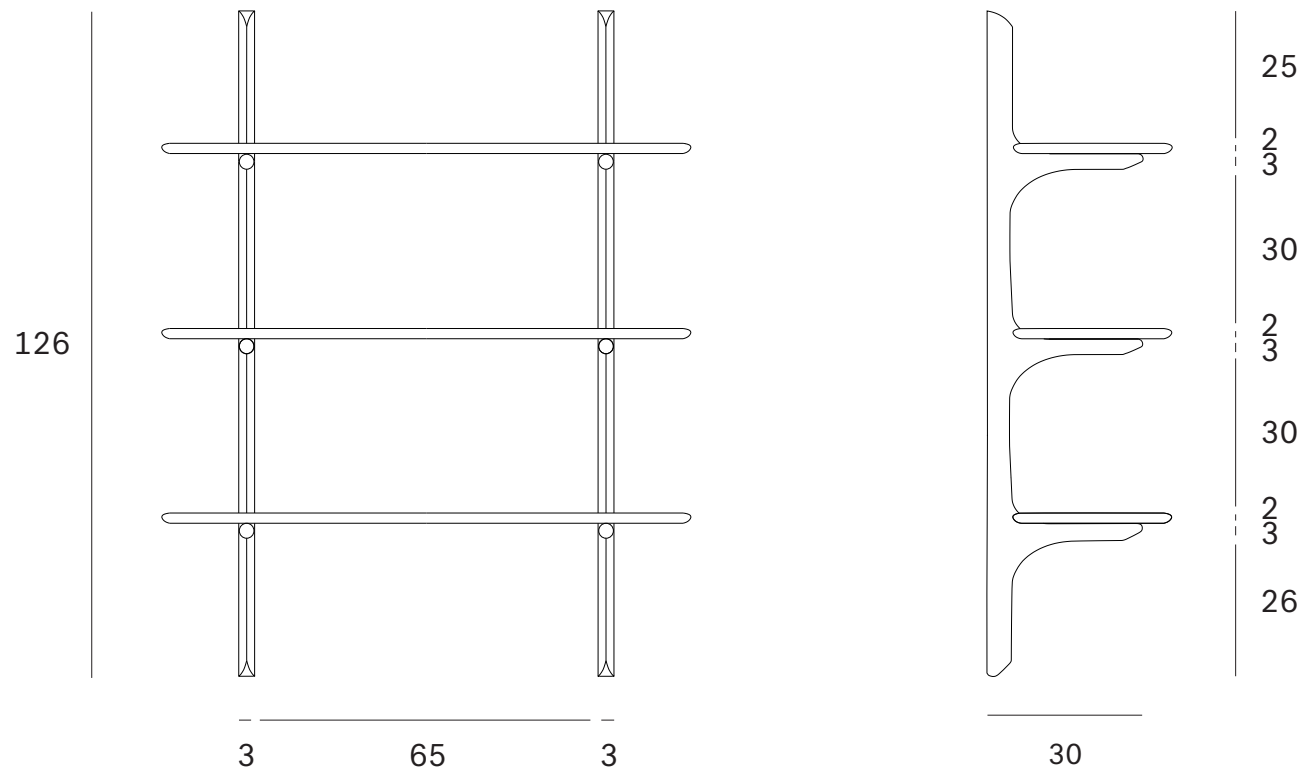
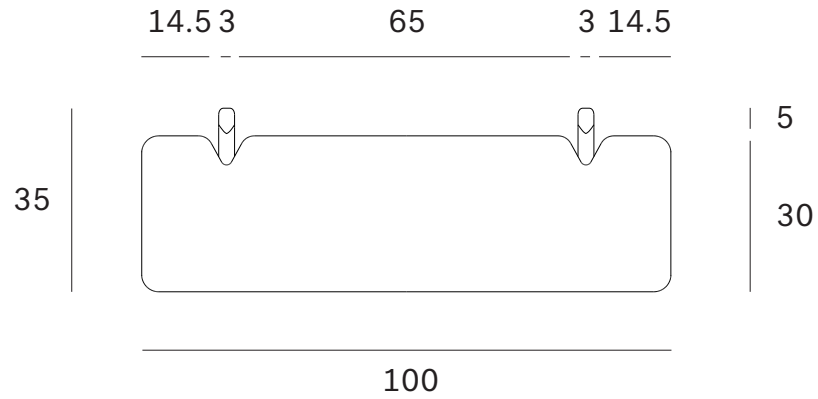
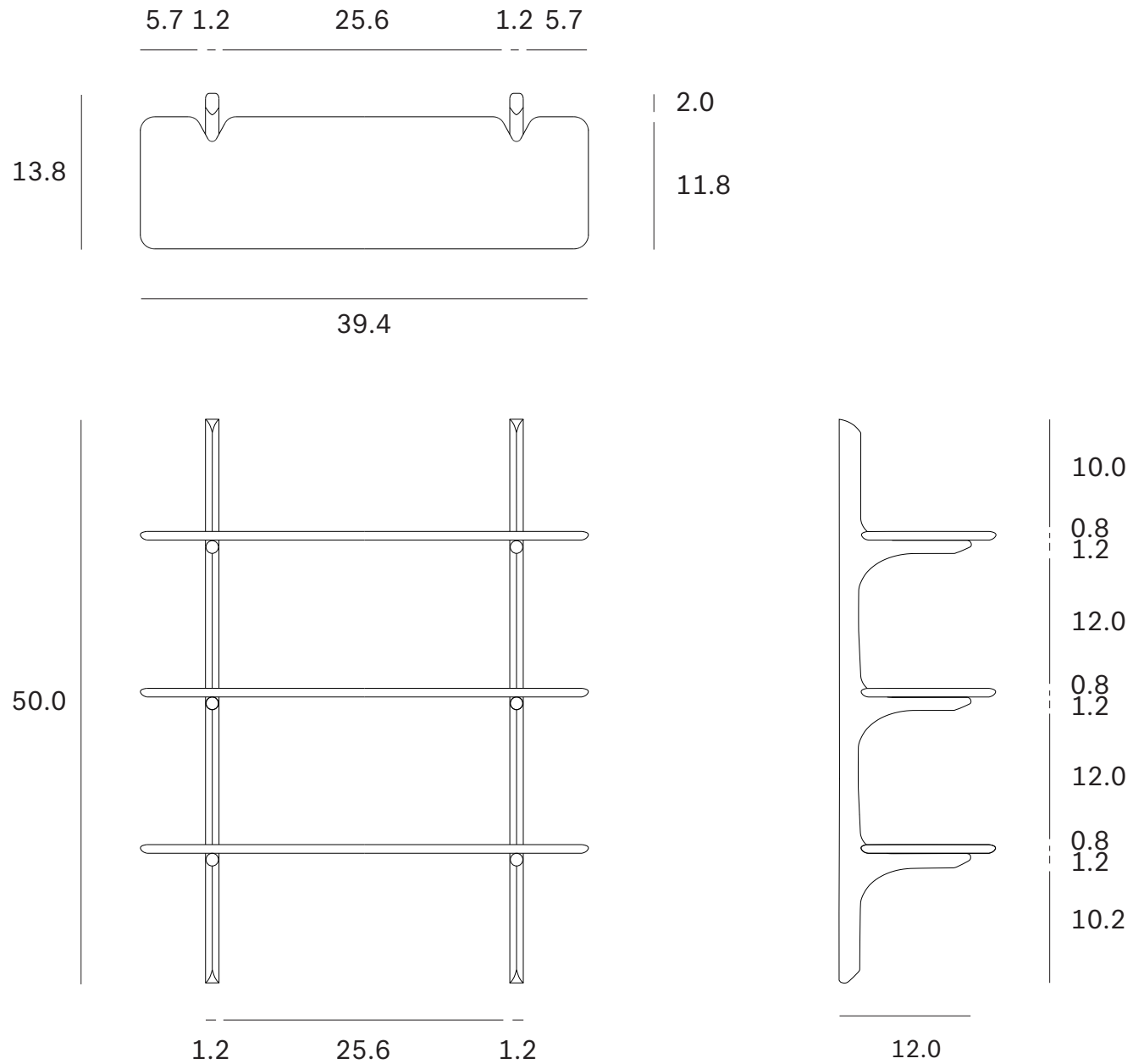


PI wall shelf - 3 shelves - Dimensions (cm)



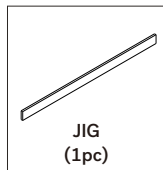
PI wall shelf - 3 shelves - Dimensions (inches)



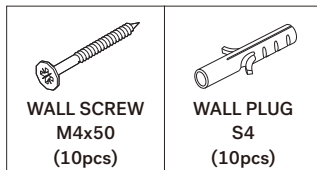
PI WALL SHELF - VARNISHED MAHOGANY - 3 SHELVES ASSEMBLY INSTRUCTIONS FOR WALL SHELF INSTALLATION



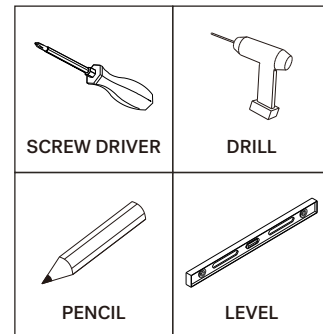
HARDWARE ENCLOSED



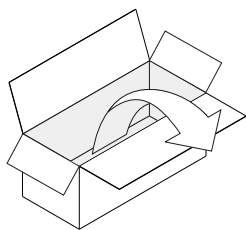
HARDWARE REQUIRED (Not included in this package)



TOOLS REQUIRED (Not included in this package)



AS WALL MATERIALS VARY, SCREWS FOR FIXING TO WALL ARE NOT INCLUDED. FOR ADVICE ON SUITABLE SCREW SYSTEMS, CONTACT YOUR LOCAL SPECIALISED DEALER.

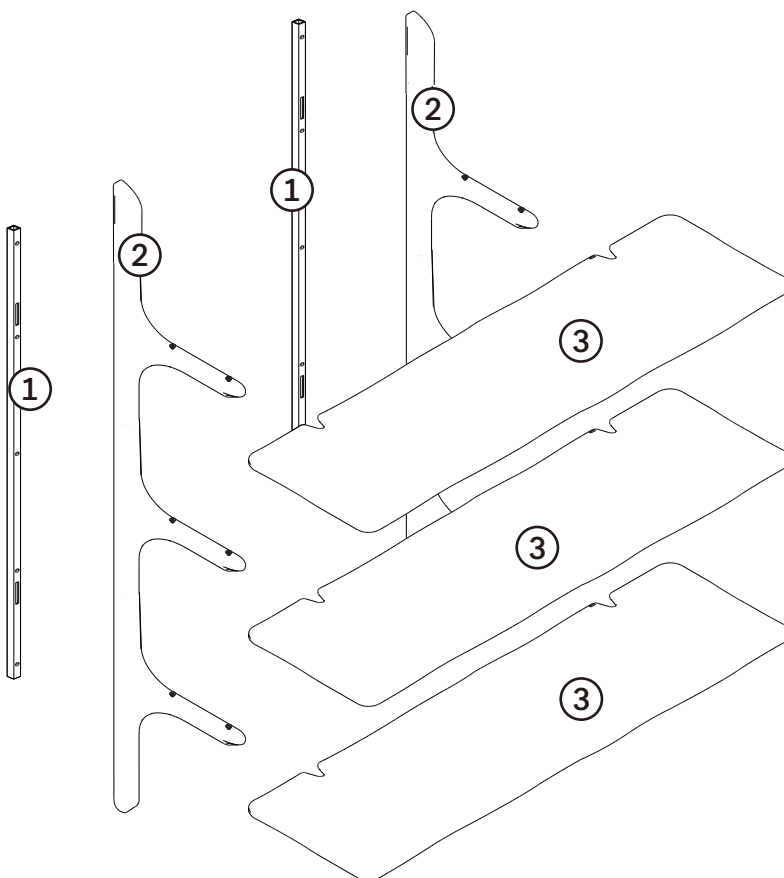


IN YOUR PACKAGE :

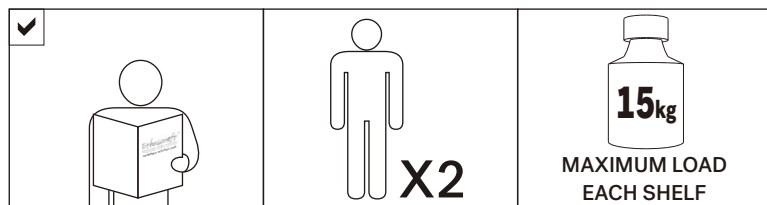
ASSEMBLY INSTRUCTIONS
HARDWARE (AS LISTED ABOVE)

PARTS TO BE INSTALLED

1. METAL HANGING 2 pcs
2. SHELF SUPPORTS 2 pcs
3. SHELVES 3 pcs



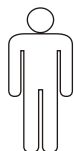
NOTICE



SYMBOLS



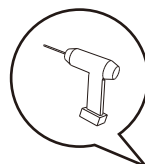
DIRECTION



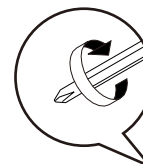
NUMBER OF
PERSONS NEEDED



USE HAND



USE DRILL



USE SCREWDRIVER
TO TIGHTEN

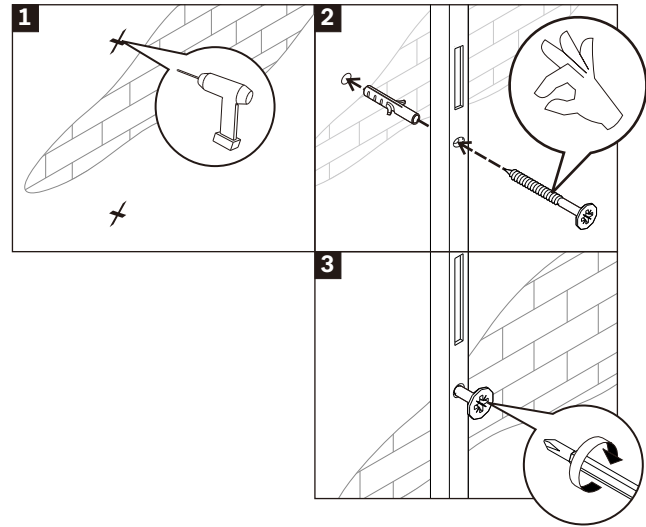
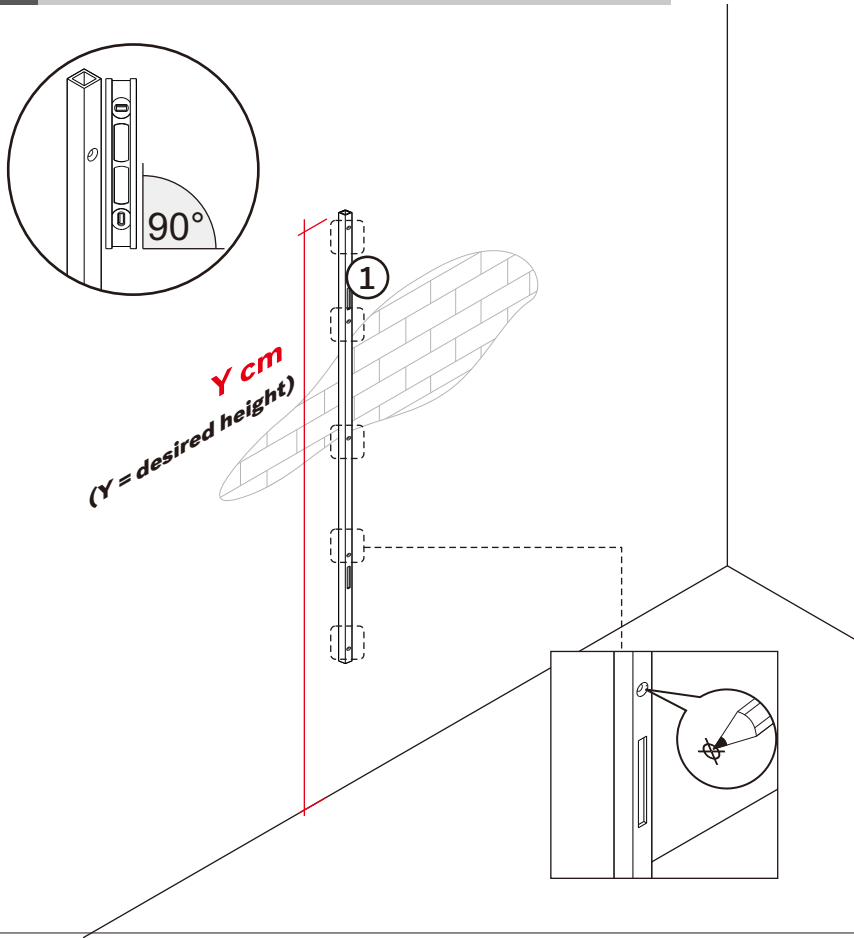


USE PENCIL

PI WALL SHELF - VARNISHED MAHOGANY - 3 SHELVES
 ASSEMBLY INSTRUCTIONS FOR WALL SHELF INSTALLATION

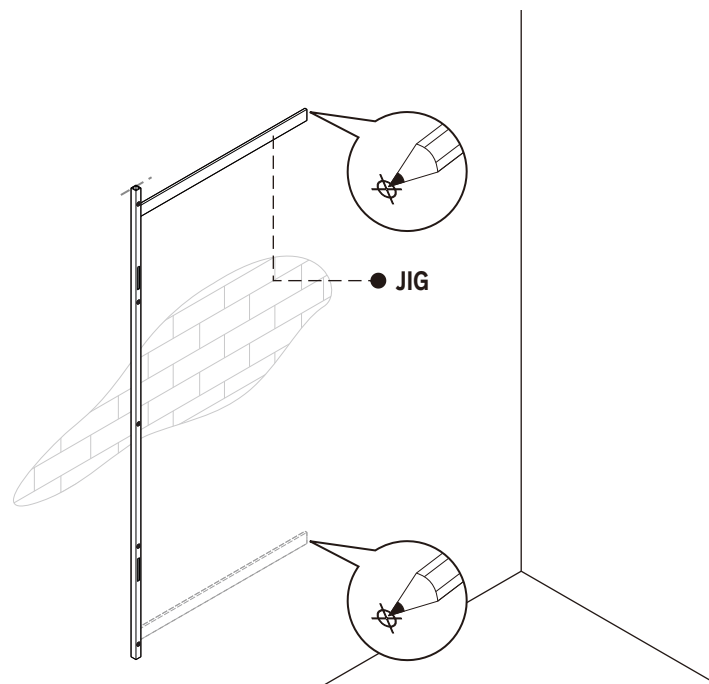


A INSTALLING METAL HANGING TO THE WALL



- ILLUSTRATION WITH BRICK WALL
- MAKE THE MARKS ON THE ROUND HOLES
- ! - USE LEVEL FOR ALIGNMENT
- USE WALL PLUG (X5)
- USE SCREW M4X50 (X5)
- TIGHTEN FULLY

B DETERMINE THE DISTANCE BETWEEN METAL HANGING

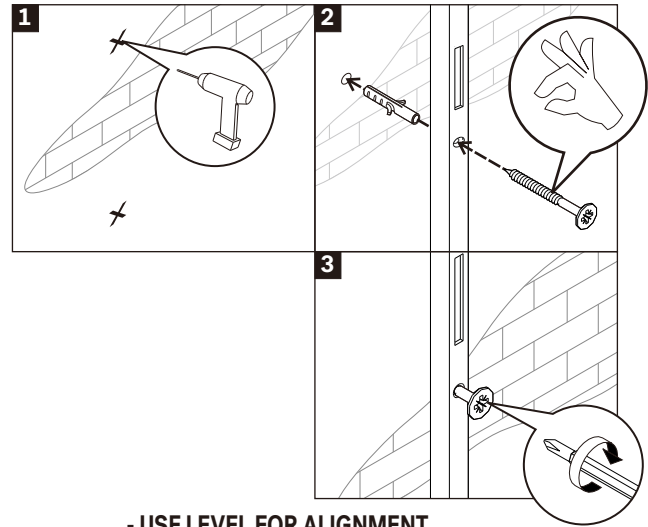
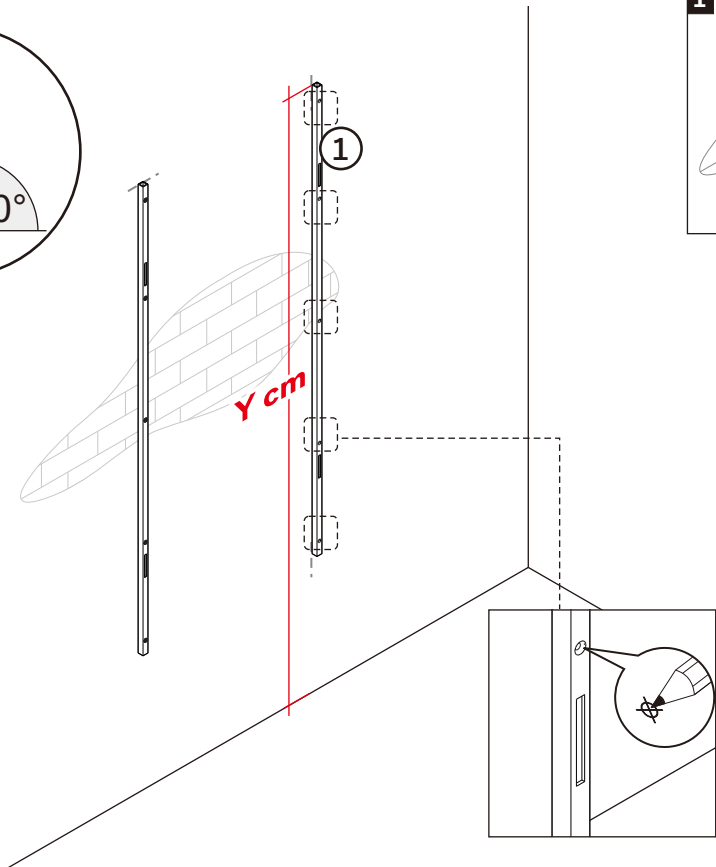
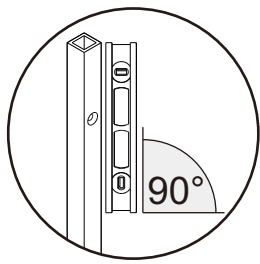


- ! - USE JIG
- USE GUIDELINES TO ENSURE VERTICAL LINES

PI WALL SHELF - VARNISHED MAHOGANY - 3 SHELVES
 ASSEMBLY INSTRUCTIONS FOR WALL SHELF INSTALLATION

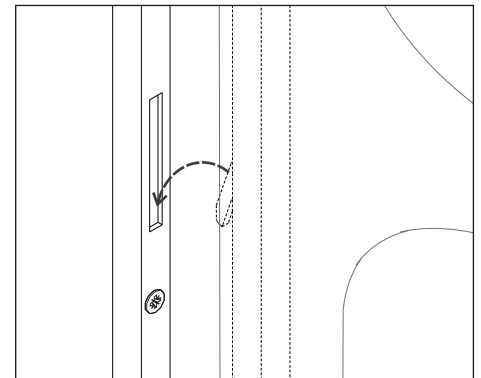
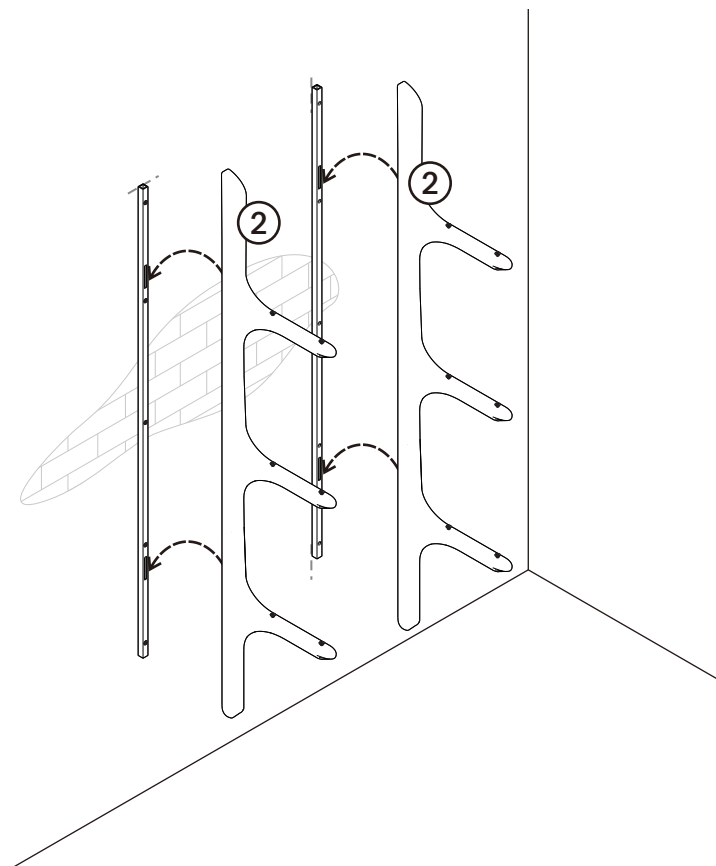


C INSTALLING METAL HANGING



- USE LEVEL FOR ALIGNMENT
- MAKE SURE THE SAME METAL SUPPORT HEIGHT
- USE WALL PLUG (X5)
- USE SCREW M4X50 (X5)
- TIGHTEN FULLY

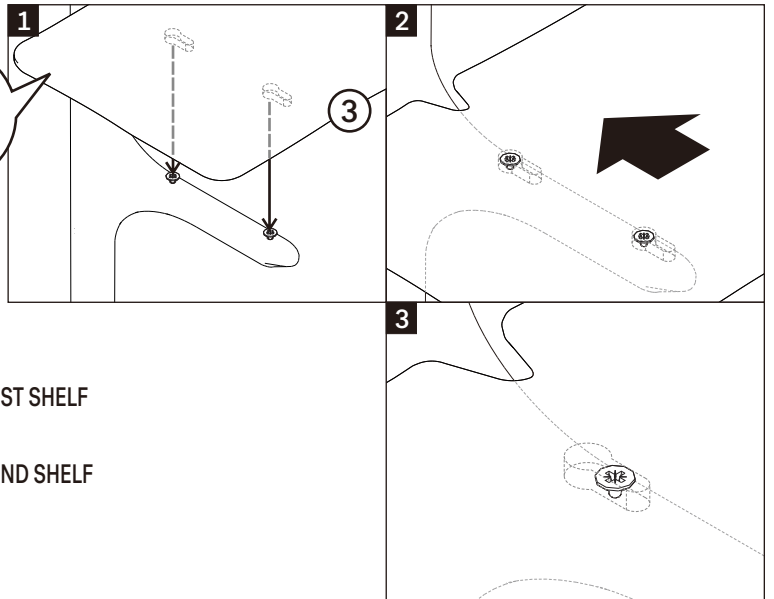
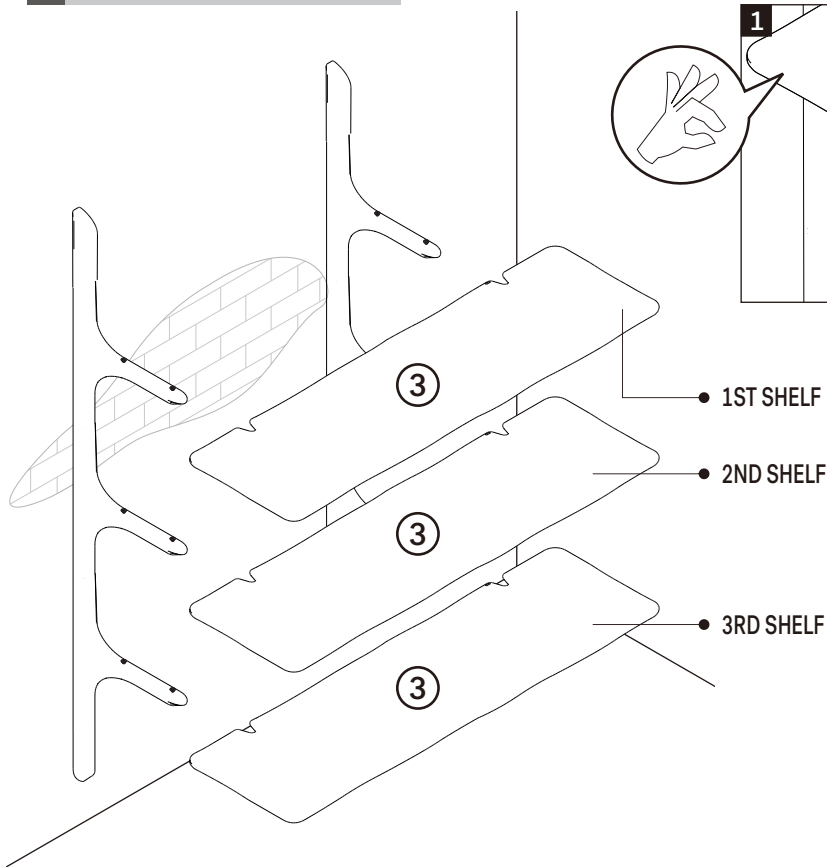
D INSTALLING SHELF SUPPORTS



PI WALL SHELF - VARNISHED MAHOGANY - 3 SHELVES ASSEMBLY INSTRUCTIONS FOR WALL SHELF INSTALLATION



E INSTALLING SHELVES



 PLEASE REFER THE CODE OF EACH SHELF

F FINISH

